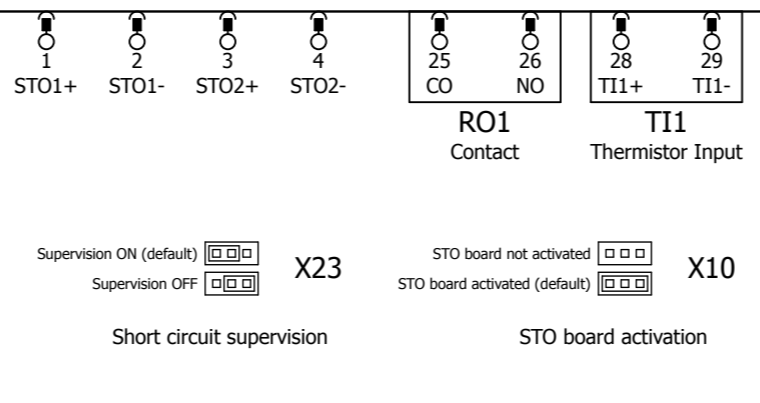


1 2 3 4 5 6 7 8

A
B
C
D
E
F

-AA1
CONTROL
UNIT

-AB1
SLOT C, D, E
OPT-BJ



Project Id VACON_100_ENCLOSED_SML_CU
Project name Project pilot
Customer STANDARD DRAWINGS

Title

Prepared Prepared 7.3.2012
Approved Approved by 7.3.2012
Document kind

Based on
Scale

External doc. Id
Ref. designation OPTION BOARDS +BJ
Document Id
==V100=OPTION BOARDS++OPT-B+BJ/SML_A_742

DCC Continue
+BH/\$ML_A_742
Rev. Lang. Page
25 ML_A_742