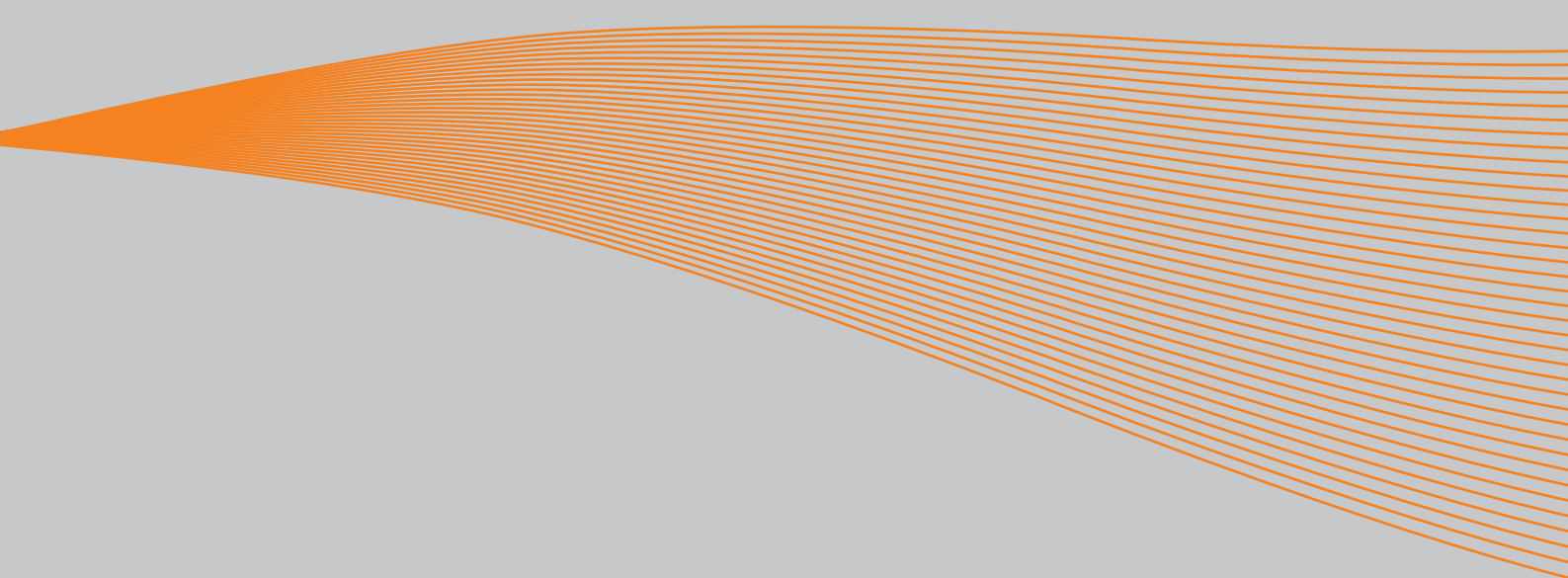


**VACON<sup>®</sup> 20 CP**  
AC DRIVES

**INSTALLATION, TECHNICAL  
AND MAINTENANCE MANUAL**





# INDEX

Document code (Original Instructions): DPD00489F

Order code: DOC-INS03976+DLUK

Rev. F

Revision release date: 26.7.12

<b>1. Safety .....</b>	<b>2</b>
1.1 Danger .....	3
1.2 Hot surface warning .....	3
1.3 Warnings .....	4
1.4 Earthing and earth fault protection .....	5
1.5 Insulation system .....	7
1.6 Compatibility with RCDs.....	8
1.7 Cooling System.....	8
1.8 Declaration of conformity .....	9
<b>2. Receipt of delivery.....</b>	<b>12</b>
2.1 Type designation code.....	13
2.2 Unpacking and lifting the AC drive .....	14
2.3 Accessories .....	14
2.3.1 'Product modified' sticker.....	14
<b>3. Mounting.....</b>	<b>16</b>
3.1 Dimensions.....	16
3.1.1 Frame MS2 and MS3 .....	16
3.2 Cooling.....	17
3.3 Environment temperature .....	17
3.4 Heatsink assembly instructions .....	17
3.5 Installation spacing .....	19
3.6 Power loss thermal characteristics .....	20
3.7 Dimensioning an external heatsink .....	21
<b>4. Power cabling.....</b>	<b>24</b>
4.1 Circuit breaker .....	25
4.2 UL standards on cabling .....	25
4.2.1 Cable dimensioning and selection.....	25
4.3 Brake resistor cables.....	27
4.4 Control cables .....	27
4.5 Cable installation .....	28
<b>5. Control unit .....</b>	<b>30</b>
5.1 Control unit cabling.....	33
5.1.1 Control cable sizing.....	33
5.1.2 Standard I/O terminals.....	34
5.1.3 Relay terminals .....	35
5.1.4 Safe Torque off (STO) terminals .....	35
5.1.5 Description of additional echo connectors .....	36
5.1.6 Led handling.....	40
5.1.7 Selection of terminal functions with dip switches.....	41
5.2 Fieldbus connection .....	42
5.2.1 Modbus RTU protocol.....	43
5.2.2 Preparation for use through RS485.....	44
<b>6. Commissioning.....</b>	<b>46</b>
6.1 Commissioning of the drive .....	47
6.2 Changing EMC protection class.....	48
6.2.1 Changing EMC protection class - MS2 .....	48

6.2.2	Changing EMC protection class - MS3 .....	50
6.3	Running the motor .....	51
6.3.1	Cable and motor insulation checks .....	51
6.4	Maintenance .....	52
<b>7.</b>	<b>Technical data .....</b>	<b>54</b>
7.1	AC drive power ratings.....	54
7.1.1	Mains voltage 3AC 208-240V .....	54
7.1.2	Mains voltage 3AC 380-480V .....	55
7.1.3	Definitions of overloadability .....	55
7.2	Brake resistors .....	56
7.3	VACON® 20 CP - technical data .....	57
7.3.1	Technical information on control connections .....	60
<b>8.</b>	<b>Options .....</b>	<b>62</b>
8.1	Vacon keypad with seven-segment display .....	62
8.2	Text keypad.....	63
8.3	Menu structure.....	63
8.4	Using the keypad .....	64
8.4.1	Editing values .....	64
8.4.2	Resetting fault.....	64
8.4.3	Local/Remote control button.....	64
8.4.4	Parameters .....	65
8.4.5	Faults.....	65
8.5	Fault tracing .....	66
8.6	Option boards .....	68
<b>9.</b>	<b>Safe Torque Off.....</b>	<b>70</b>
9.1	General description.....	70
9.2	Warnings .....	70
9.3	Standards .....	71
9.4	The principle of STO .....	72
9.4.1	Technical details .....	73
9.5	Connections.....	74
9.5.1	Safety Capability Cat. 4 / PL e / SIL 3.....	75
9.5.2	Safety Capability Cat. 3 / PL e / SIL 3.....	77
9.5.3	Safety Capability Cat. 2 / PL d / SIL 2.....	77
9.5.4	Safety Capability Cat. 1 / PL c / SIL 1.....	78
9.6	Commissioning.....	79
9.6.1	General wiring instructions .....	79
9.6.2	Checklist for the commissioning .....	79
9.7	Parameters and fault tracing.....	80
9.8	Maintenance and diagnostics .....	81

## 1. SAFETY

This manual contains clearly marked cautions and warnings which are intended for your personal safety and to avoid any unintentional damage to the product or connected appliances.

**Please read the information included in cautions and warnings carefully.**

**VACON® CP is a Cold Plate drive conceived for controlling asynchronous AC motors and permanent magnet motors. The product is intended to be installed in a restricted access location and for a general purpose use.**

**Only by Vacon authorized, trained and qualified personnel are allowed to install, operate and maintain the drive.**

The cautions and warnings are marked as follows:




	= DANGEROUS VOLTAGE!
	= HOT SURFACE!
	= WARNING or CAUTION

Table 1. Warning signs.

## 1.1 DANGER



The **components of the power unit of VACON<sup>®</sup> 20 CP drives are live** when the drive is connected to mains potential. Coming into contact with this voltage is **extremely dangerous** and may cause death or severe injury.

---



The **motor terminals (U, V, W) are live** when VACON<sup>®</sup> 20 CP Drive is connected to mains, even if the motor is not running.

---



**After disconnecting** the AC drive from the mains, **wait** until the indicators on the keypad go out (if no keypad is attached, see the indicators on the cover). Wait additional 30 seconds before starting any work on the connections of Vacon20 Cold Plate Drive. After expiration of this time, use a measuring equipment to absolutely ensure that no voltage is present. **Always ensure absence of voltage before starting any electrical work!**

---



The control I/O-terminals are isolated from the mains potential. However, the **relay outputs and other I/O-terminals may have a dangerous control voltage** present even when VACON<sup>®</sup> 20 CP Drive is disconnected from mains.

---



During a coast stop (see the Application Manual), the motor is still generating voltage to the drive. Therefore, do not touch the components of the AC drive before the motor has completely stopped. Wait until the indicators on the keypad go out (if no keypad is attached, see the indicators on the cover). Wait additional 30 seconds before starting any work on the drive.

## 1.2 HOT SURFACE WARNING



The metal parts of the enclosure may exceed 70°C. **Prevent to touch them because risk of burn.**

---

### 1.3 WARNINGS



VACON<sup>®</sup> 20 CP AC drive is meant for **fixed installations only**.



**Only Safety Extra Low Voltage (SELV) circuits are allowed to be connected to the control unit.** This hint aims to protect both the drive and the client-application. Vacon is not responsible for direct or consequential damages resulting from unsafe connections of external circuits to the drive. See paragraph 1.5 for more details.



**Do not perform any measurements** when the AC drive is connected to the mains.



The **touch current** of VACON<sup>®</sup> 20 CP drives exceeds 3.5mA AC. According to standard EN61800-5-1, a **reinforced protective ground connection** must be ensured. See paragraph 1.4.



If the AC drive is used as a part of a machine, the **machine manufacturer is responsible** for providing the machine with a **supply disconnecting device** (EN 60204-1). See paragraph 4.1



Only **spare parts** supplied by Vacon can be used.



At power-up, power brake or fault reset, **the motor will start immediately** if the start signal is active, unless the pulse control for Start/Stop logic has been selected. Furthermore, the I/O functionalities (including start inputs) may change if parameters, applications or software are changed. Disconnect, therefore, the motor if an unexpected start can cause danger. This is valid only if STO inputs are energized. For prevention on unexpected restart, use appropriate safety relay connected to the STO inputs.



The **motor starts automatically** after automatic fault reset if the autoreset function is activated. See the Application Manual for more detailed information. This is valid only if STO inputs are energized. For prevention on unexpected restart, use appropriate safety relay connected to the STO inputs.



**Before performing any measurement on the motor or the motor cable**, disconnect the motor cable from the AC drive.



Do not perform any voltage withstand test on any part of VACON<sup>®</sup> 20 CP. The tests shall be performed according to a specific procedure. Ignoring this procedure may damage the product.



**Do not touch the components on the circuit boards.** Static voltage discharge may damage the components.



Check that the **EMC level** of the AC drive corresponds to the requirements of your supply network.




In a domestic environment, this product may cause radio interference, in which case supplementary mitigation measures may be required.

1.4 EARTHING AND EARTH FAULT PROTECTION



**CAUTION!**

The VACON® 20 CP AC drive must always be earthed with an earthing conductor connected to the earthing terminal marked with .

Since the touch current exceeds 3.5 mA AC, according to EN61800-5-1, the drive shall have a fixed connection and provision of an additional terminal for a second protective earthing conductor of the same cross-sectional area as the original protective earthing conductor.

Three screws are provided for: the ORIGINAL protective earthing conductor, the SECOND protective conductor and the MOTOR protective conductor (the customer can choose the screw for each one). See Figure 1 for the location of the three screws in the two possible options available.

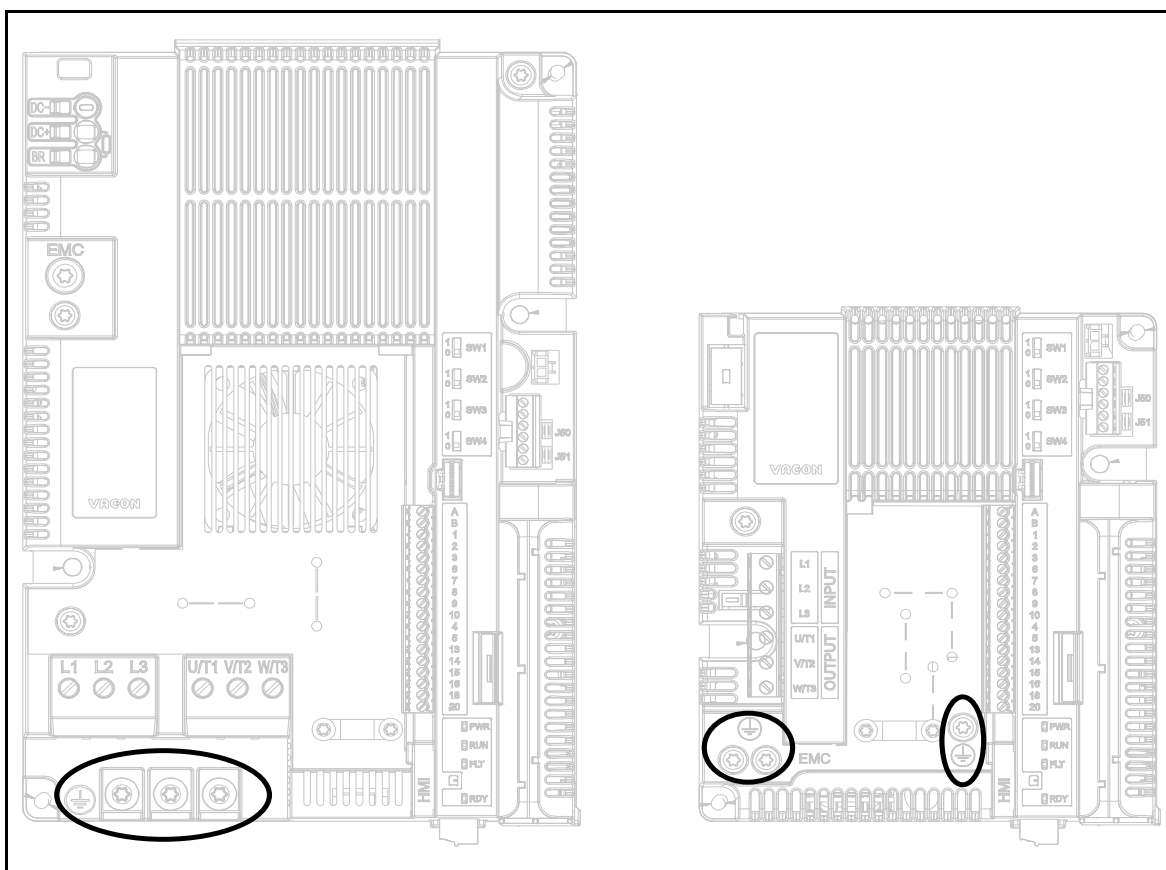


Figure 1. Protective earthing connections.

In VACON® 20 CP, the phase conductor and the corresponding protective earthing conductor can be of the same cross-sectional area, provided they are made of the same metal (because the cross-sectional area of the phase conductor is less than 16 mm<sup>2</sup>).



The cross-sectional area of every protective earthing conductor which does not form a part of the supply cable or cable enclosure shall, in any case, be not less than:

- 2.5 mm<sup>2</sup> if mechanical protection is provided or
- 4 mm<sup>2</sup> if mechanical protection is not provided. For cord-connected equipment, provisions shall be made so that the protective earthing conductor in the cord shall, in the case of failure of the strain-relief mechanism, be the last conductor to be interrupted.

**However, always follow the local regulations for the minimum size of the protective earthing conductor.**

**NOTE:** Due to the high capacitive currents present in the AC drive, fault current protective switches may not function properly.

1.5 INSULATION SYSTEM



Please, consider carefully the insulation system depicted in Figure 2, before connecting any circuit to the unit.



The control unit of VACON® 20 CP fulfils the insulation requirements of the standard IEC 61800-5-1 regarding DVC A circuits and also the strongest insulation requirements of IEC 60950-1 regarding SELV circuits.

A distinction has to be made for the following three groups of terminals, according to the insulation system of VACON® 20 CP:

- Mains and motor connections (L1, L2, L3, U, V, W)
- Relays (R01, R02)<sup>(\*)</sup>
- Control terminals (I/Os, RS485, STO)

The Control terminals (I/Os, RS485, STO) are isolated from the Mains (the insulation is reinforced, according to IEC 61800-5-1) and **the GND terminals are referred to PE.**

This is important when you need to connect other circuits to the drive and test the complete assembly. Should you have any doubts or questions, please contact your local Vacon distributor.

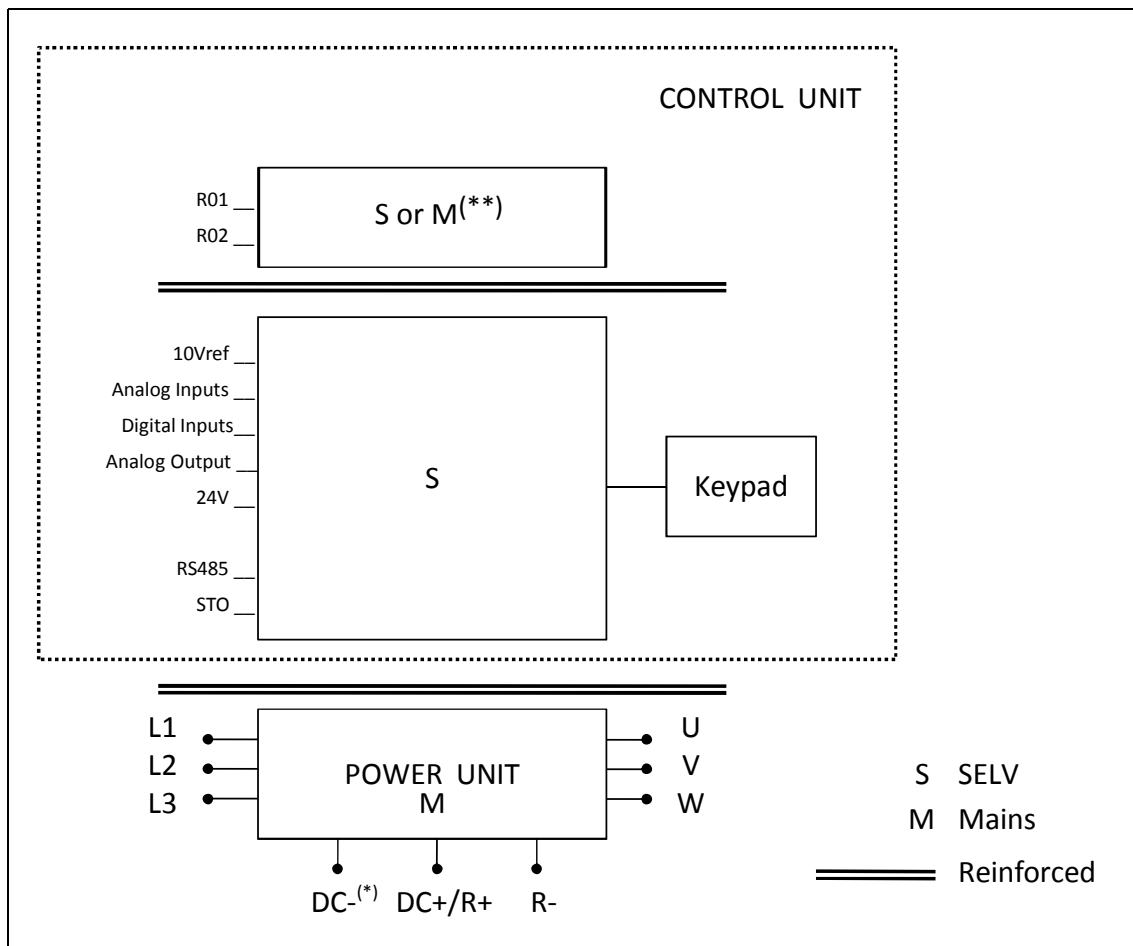


Figure 2. Insulation system(\* only for MS3).



<sup>(\*\*)</sup> The relays may be used also with Safety Extra Low Voltage (SELV) circuits. This is possible only if both relays are used for Safety Extra Low Voltage (SELV) circuitry: **to mix Mains and SELV is not allowed.**

## 1.6 COMPATIBILITY WITH RCDs



This product can cause a d.c. current in the protective earthing conductor. Where a residual current-operated protective (RCD) or monitoring (RCM) device is used for protection in case of direct or indirect contact, only an RCD or RCM of Type B is allowed on the supply side of this product.

---

## 1.7 COOLING SYSTEM

VACON<sup>®</sup> 20 CP is available as a cold-plate solution. Customers can enclose it in their own housing and provide a suitable heatsink. However under maximum operating conditions the unit should not exceed the following temperatures:

- Temperature around the polymeric enclosure (of VACON<sup>®</sup> 20 CP): max. 70 °C
- Temperature at the cooling-plate (of VACON<sup>®</sup> 20 CP): max. 85 °C

Please, contact your local Vacon distributor if you need further details or support to dimension the cooling system in your final application.

## 1.8 DECLARATION OF CONFORMITY



### DECLARATION OF CONFORMITY

**Manufacturer's name:** Vacon Srl

**Manufacturer's address:** Via Roma, 2  
I-39014 Postal (BZ), Italy

We hereby declare that the following product

**Product name:** Vacon 20 AC drive

**Product Identification:** VACON0020-3L-a-b-c +d +e  
a = 0001 – 0008; (Frame Size 2)  
a = 0009 – 0016; (Frame Size 3)  
b = 4, 5; (Voltage Rating)  
c = CP, X; (Enclosure option)  
+d, +e = Additional Codes

**Product Safety Functions:** Safe Torque Off (EN 61800-5-2:2007) and Emergency stop (EN 60204-1:2006 + A1:2009 + AC:2010 in extracts)

Complies with the following EU legislation: Low Voltage Directive (LVD) 2006/95/EC, Electromagnetic Compatibility (EMC) 2004/108/EC, EC Machinery Directive 2006/42/EC.

**Notified body that carried out the EC type examination:**

TÜV Rheinland Industrie Service GmbH,  
Alboinstr. 56, 12103 Berlin / Germany

Certification Body for Machinery NB 0035, Certificate No. 01/205/5215/12

**The following standards and/or technical specifications referenced below were used:**

- EN 61800-5-2:2007
- EN 61800-5-1:2007 (LV Directive compliance)
- EN 61800-3:2004 (EMC Directive compliance)
- EN ISO 13849-1:2008+AC:2009
- EN 62061:2005+AC:2010

These products are intended for installation in machines. Operation is prohibited until it has been determined that the machines in which these products are to be installed, conforms to the above mentioned EC Directive(s).


**Signature**

Postal, 03.05.2012

Andrea Perin  
Country Manager



Figure 3. Declaration of conformity.

 <b>TÜVRheinland®</b>	
<b>ZERTIFIKAT</b>	<b>EC Type-Examination Certificate</b>
<b>CERTIFICATE</b>	<b>Reg.-No.: 01/205/5215/12</b>
<b>Product tested</b>	Safety function "Safe Torque Off (STO)" within Adjustable Frequency AC Drive
<b>Certificate holder</b>	Vacon S.R.L. Via Roma, 2 I-39014 Postal (BZ) Italy
<b>Type designation</b>	Vacon 20 AC Drive VACON0020-3L-a-b-c +d +e a = 0001-0008; (Frame Size 2), a = 0009-0016; (Frame Size 3), b = 4, 5; (Voltage Rating), c = CP, X; (Enclosure Option), +d, +e = Additional Codes
<b>Manufacturer</b>	see certificate holder
<b>Codes and standards forming the basis of testing</b>	EN 61800-5-2:2007 EN 61800-5-1:2007 EN 61800-3:2004 EN ISO 13849-1:2008 + AC:2009
	EN 62061:2005 + AC:2010 IEC 61508 Parts 1-7:2010 EN 60204-1:2006 + A1:2009 + AC:2010 (in extracts)
<b>Intended application</b>	The safety function "Safe Torque Off" complies with the requirements of the relevant standards (PL e acc. to EN ISO 13849-1, SIL CL 3 acc. to EN 61800-5-2 / EN 62061 / IEC 61508) and can be used in applications up to PL e acc. to EN ISO 13849-1 and SIL 3 acc. to EN 62061 / IEC 61508.
<b>Specific requirements</b>	The instructions of the associated Installation and Operating Manual shall be considered.
It is confirmed that the product under test complies with the requirements for machines defined in Annex I of the EC Directive 2006/42/EC.	
This certificate is valid until 2017-04-27.	
<p>The test report-no.: 968/M 349.00/12 dated 2012-04-27 is an integral part of this certificate.</p> <p>This certificate is valid only for products which are identical with the product tested at any change of the codes and standards forming the intended application.</p>	
	
Berlin, 2012-04-27	Dipl.-Ing. Eberhard Frejno
Certification Body for Machinery, NB 0035	

TÜV Rheinland Industrie Service GmbH, Alboinstr. 56, 12103 Berlin / Germany  
 Tel.: +49 30 7562-1557, Fax: +49 30 7562-1370, E-Mail: tuvat@de.tuv.com

Figure 4. STO certificate.



## 2. RECEIPT OF DELIVERY

Check correctness of delivery by comparing your order data to the drive information found on the package label. If the delivery does not correspond to your order, contact your supplier immediately. See paragraph 2.3.

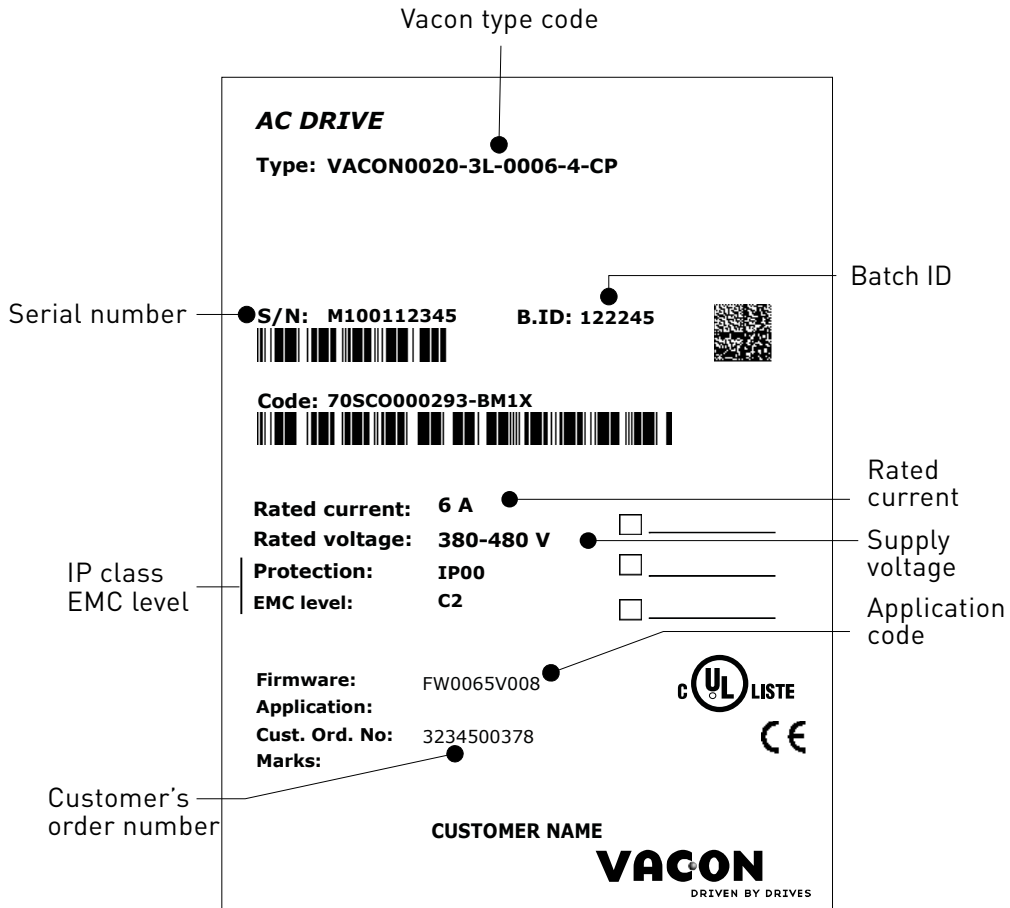


Figure 5. Vacon package label

## 2.1 TYPE DESIGNATION CODE

Vacon type designation code is formed of a nine-segment code and optional +codes. Each segment of the type designation code uniquely corresponds to the product and options you have ordered. The format of the code is as follows:

**VACON0020-3L-0009-4-CP +xxxx +yyyy**

### VACON

This segment is common for all products.

### 0020

Product range:

0020 = Vacon 20

### 3L

Input/Function:

3L = Three-phase input

### 0009

Drive rating in ampere; e.g. 0009 = 9 A

See Table 24 and Table 25 for all the drive ratings

### 4

Supply voltage:

2 = 208-240 V

4 = 380-480 V

### CP

- Cold Plate

### +xxxx +yyyy

Additional codes.

Examples of additional codes:

+DBIR

Dynamic Brake Internal Resistance (optional)



**2.2 UNPACKING AND LIFTING THE AC DRIVE**

The weights of the AC drives vary according to frame size. Note the weights of each individual frame size in Table 2 below.

Frame	Weight [kg]
MS2	2
MS3	3

Table 2. Frame weights

VACON® 20 Cold Plate drives have undergone scrupulous tests and quality checks at the factory before they are delivered to the customer. However, after unpacking the product, check that no signs of transport damages are to be found on the product and that the delivery is complete.

Should the drive have been damaged during the shipping, please contact primarily the cargo insurance company or the carrier.

**2.3 ACCESSORIES**

After lifting the converter out, check that the delivery is complete and the following accessories are included in the plastic bag:

- STO terminal connector (six pins black connector, see Figure 6)
- 'Product modified' sticker

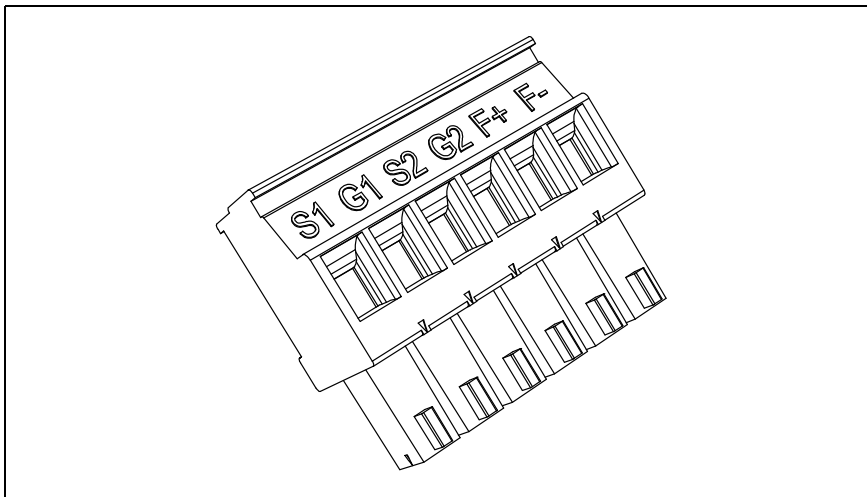


Figure 6. STO connector.

**2.3.1 'PRODUCT MODIFIED' STICKER**

In the small plastic bag included in the delivery, you will find a silver *Product modified* sticker. The purpose of the sticker is to notify the service staff about the modifications made in the AC drive. Attach the sticker on the side of the AC drive to avoid losing it. Should the AC drive be later modified, mark the change on the sticker.

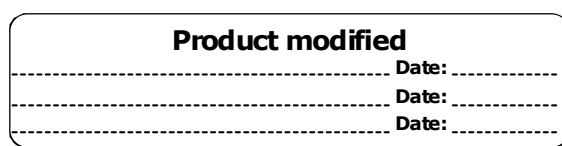


Figure 7. 'Product modified' sticker.





### 3.2 COOLING

The AC drive produces heat in operation due to the energy dissipation of the electronic components (rectifier and IGBT) and is cooled down by a heatsink via the cold plate of the frequency converter. The capacity to dissipate this heat mainly depends on the size of the heatsink surface, the environment temperature and the heat transmission resistance. An increase of the heat transmission rate can only be realized to a certain extent by increasing the surface of the heatsink. An additional increase of the heat dissipation by increasing the heatsink is not possible. The frequency converter should be mounted with the cold plate on a heatsink with lowest thermal resistance possible.

### 3.3 ENVIRONMENT TEMPERATURE

The drive environment temperature shall not exceed 70 °C (158 °F) for the drive installed location. The aluminium panel of the back of the drive is called “cold plate”. The cold plate should never exceed 85 °C (185 °F).



The drive may be damaged if the temperature of the cooling plate exceeds specified tolerance level. Excessive heat can also shorten the performance life of the various AC drive components.

### 3.4 HEATSINK ASSEMBLY INSTRUCTIONS

The VACON® 20 CP frequency converters are designed for installation on surfaces which comply with the specifications listed in the present paragraph.

heatsink surface that is in contact with the frequency converter cold plate must be free from dirt and particles. The mating surface flatness shall not exceed 50µm (DIN EN ISO 1101) across the entire mating surface, and the roughness less than 6.3 µm (DIN EN ISO 4287). The maximum peak-valley height of the surface shall not exceed 10 µm (DIN EN ISO 4287).

Apply a thermal compound between the heatsink and the AC drive cooling mating surface. The thermal paste assists the drive heat dissipation. Vacon recommends the thermal compounds listed in the following table:

Manufacturer	Type	Model	Recommended spread amount
Wacker Chemie	Silicon paste for heat dissipation	P 12	100 µm Apply the coating evenly across the surface
Fischer Elektronik WLPF	Silicon paste for heat dissipation	WLPF	

Table 3. Recommended cold plate thermal compound.

Vacon recommends screen printing for applying the thermal paste. In certain cases an applying by hard rubber roller might be applicable. After mounting the AC drive to the heatsink panel, wipe away any excess compound from around the plate.

Place the VACON® 20 CP on the appropriate heatsink area and tighten the screws as listed in the following table:

Frame size	Screw size	Tightening torque N•m (lb•in)
MS2	M5 (according to DIN 7985 - 8.8 (with washer))	3.0 to 3.5 Nm (0.34 to 0.39lb•in)
MS3	M5 (according to DIN 7985 - 8.8 (with washer))	3.0 to 3.5 Nm (0.34 to 0.39lb•in)

Table 4. Screw size and tightening torque.



Tighten all screws according to specified torques. Failure to do so, may inhibit drive cooling and cause possible damage to the drive.

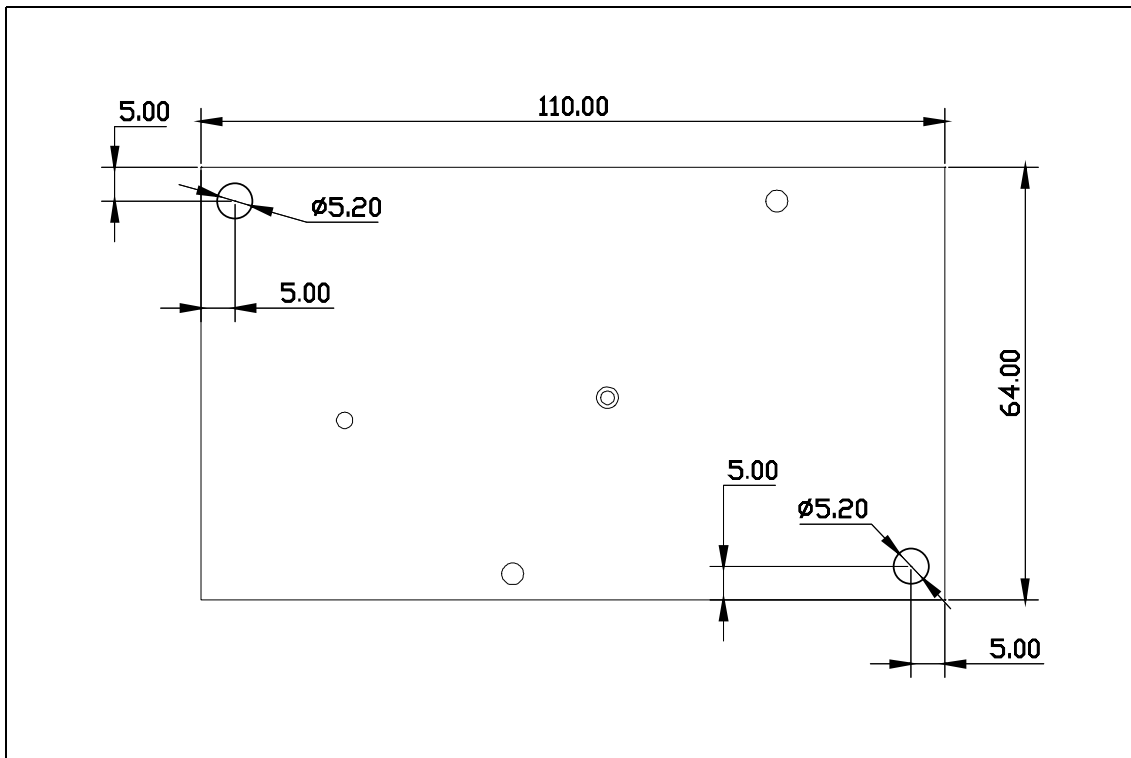


Figure 10. heatsink plate for MS2(bottom view). The thickness of the plate is 6.0 mm.

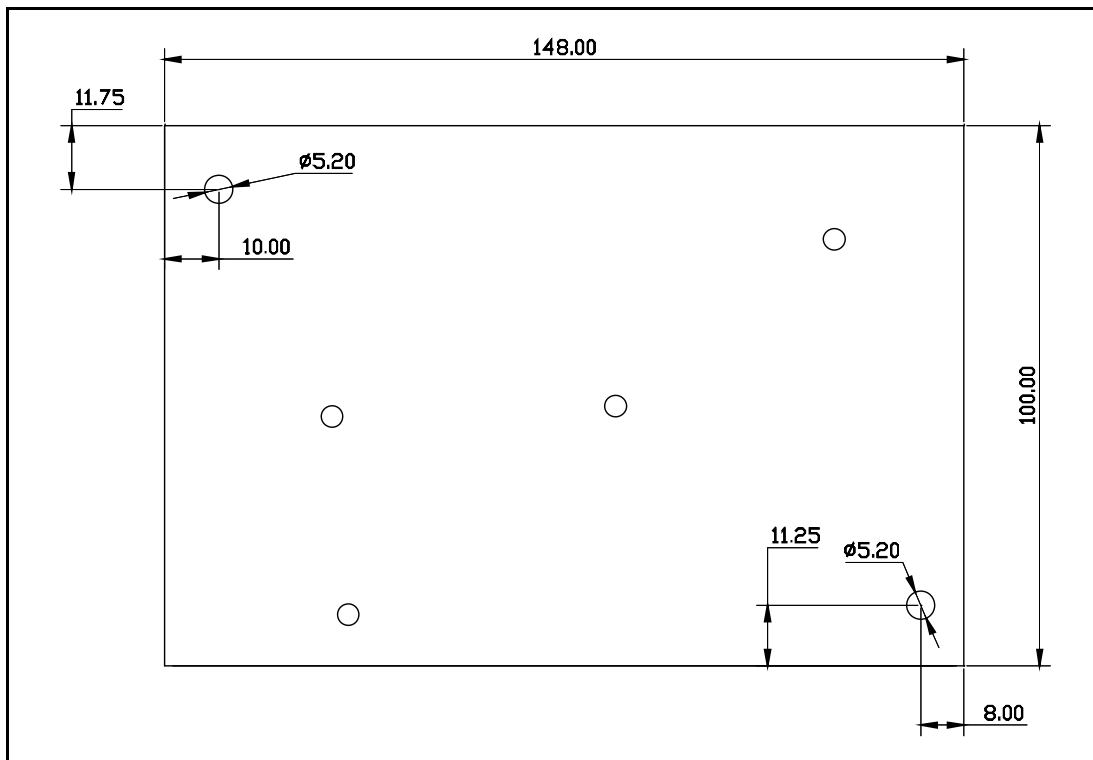


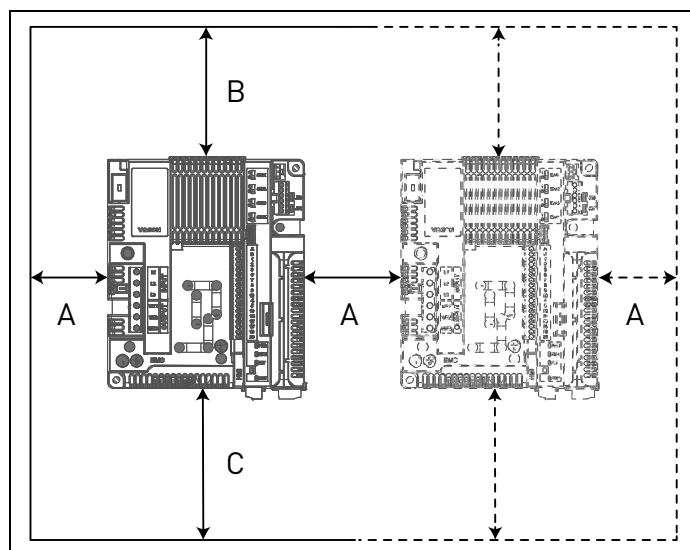
Figure 11. heatsink plate for MS3(bottom view).The thickness of the plate is 9.5 mm.

### 3.5 INSTALLATION SPACING

Enough free space shall therefore be left around the AC drive to ensure sufficient air circulation and cooling. Different acts of maintenance may also require certain amount of free space.

The minimum clearances given in Table 5 must be respected. It is also important to ensure that the temperature of the cooling air does not exceed the maximum environment temperature of the converter.

Contact our factory for more information on required clearances in different installations.



Min clearance [mm]			
Type	A	B	C
All types	30	30	30

Table 5. Min. clearances around AC drive.

- A = Clearance left and right from the drive
- B = Clearance above the drive
- C = Clearance underneath the AC drive

Figure 12. Installation space.

### 3.6 POWER LOSS THERMAL CHARACTERISTICS

In the table below there are the thermal characteristics of VACON® 20 CP AC drive at nominal output current. The power loss in stand-by conditions is 12 W for all sizes (supply voltage 24 V, 100 mA).

Mains voltage 3AC 208-240V, 50/60 Hz					
Frame	Converter Type	Rated output current [A]	Cold plate loss [W]	Internal loss [W]	Total loss [W]
MS2	0004	3.7	27	18	45
	0005	4.8	37	21	58
	0007	7.0	58	30	88
MS3	0011	11.0	85	28	113
	0012	12.5	101	37	138
	0017	17.5	146	50	196

Table 6. Drive power loss at rated conditions, voltage range 208-240V.

Mains voltage 3AC 380-480V, 50/60 Hz					
Frame	Converter Type	Rated output current [A]	Cold plate loss [W]	Internal loss [W]	Total loss [W]
MS2	0003	2.4	23	16	39
	0004	3.3	31	18	49
	0005	4.3	43	21	64
	0006	5.6	58	25	83
	0008	7.6	84	33	117
MS3	0009	9.0	86	31	117
	0012	12.0	120	37	157
	0016	16.0	171	48	219

Table 7. Drive power loss at rated conditions, voltage range 380-480V.

### 3.7 DIMENSIONING AN EXTERNAL HEATSINK

This paragraph describes a useful procedure to select a suitable heatsink for VACON® 20 CP drives.

The heatsinks are devices that enhance heat dissipation from a hot surface, usually the case of a heat generating component, to a cooler ambient, usually air. For the following discussion, air is assumed to be the cooling fluid. The primary purpose of a heatsink is to maintain the device temperature below the maximum allowable specified by the device manufacturers. Before discussing the heatsink selection process, it's necessary to define common terms, notations and definitions and establish the concept of a thermal circuit.

Notations and definitions of the terms are as follows:

Symbol	Description
$CP_{loss}$	Cold plate loss: see Table 6 or Table 7 expressed in W
$T_{CPmax}$	Maximum cold plate temperature expressed in °K (358 °K = 85°C)
$T_{amb}$	heatsink ambient temperature expressed in °K(°K = °C + 273)
$R_{CP}$	Equivalent thermal resistance [K/W] of the cold plate.
$R_{HSmax}$	Thermal resistance of the heatsink [K/W]

Table 8. Terms and definitions for the thermal model.

The purpose of this paragraph is to select an external heatsink by calculating its thermal resistance.

The heat transfer principle from the cold plate to the heatsink ambient air is shown in Figure 13.

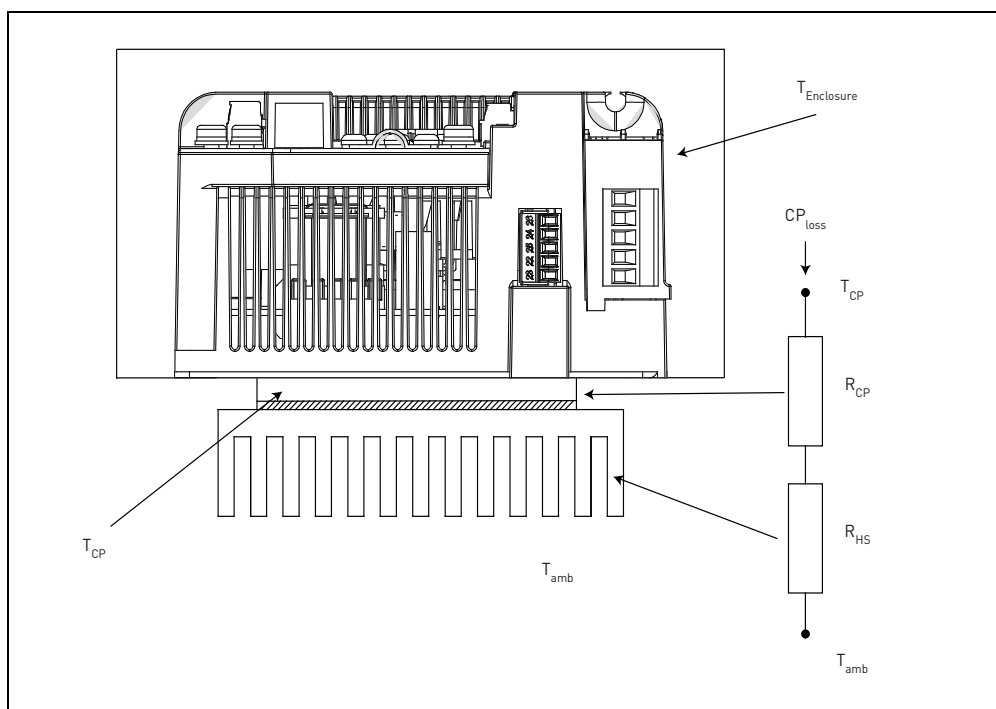


Figure 13. Thermal equivalent circuit.



The formula to calculate the maximum thermal resistance of the heatsink is as follows:

$$R_{HSmax} = \frac{T_{CPmax} - T_{amb}}{CP_{loss}} - R_{CP}$$

For a given ambient temperature  $T_{amb}$  the cold plate temperature  $T_{CPmax}$  must not exceed the maximum allowable value (85°C). As the  $R_{CP}$  is essentially fixed, this condition must be satisfied with a proper heatsink selection. The table below shows the typical values for  $R_{CP}$  for VACON® 20 CP:

Frame	$R_{CP}$
MS2	$R_{CP}=0.091$ K/W
MS3	$R_{CP}=0,055$ K/W

Table 9. Typical values for the equivalent thermal resistances of the cold plate.

**Select a heatsink with a smaller thermal resistance than  $R_{HSmax}$ .** The heatsink dimensions should be closed to the cold plate dimensions.



If the heatsink height and width are much larger than the drive cold plate dimensions, or if multiple drives are installed on one heatsink, it may be necessary to apply correction factors to the thermal resistance value given in the heatsink specification. Contact the heatsink manufacturer.

**Note: remember that the heatsink cooling capacity can be reduced over time due to dirt.**

In order to choose an heatsink from a catalogue please consider that usually the reported heat resistances are measured under free convection conditions. In this case the heatsink has to be oversized with respect to the cold plate dimensions, otherwise an additional fan must be used to reduce the heatsink resistance and its dimensions. Most heatsink manufacturers give correction factor according to various air flow speeds.

The designing factors which influence the thermal performances of an heatsink are as follows:

- **Spreading resistance:** Spreading resistance occurs when thermal energy is transferred from a small area to a larger area in a substance with finite thermal conductivity. In a heatsink, this means that heat does not distribute uniformly through the heatsink base. The spreading resistance phenomenon is shown by how the heat travels from the heat source location and causes a large temperature gradient between the heat source and the edges of the heatsink. This means that some fins are at a lower temperature than if the heat source were uniform across the base of the heatsink. This non uniformity increases the heatsink's effective thermal resistance.
- **heatsink manufacturer dimensioning data:** the heatsink thermal resistance given in a catalogue is measured on a temperature sink to ambient differential ( $\Delta T$ ) and since  $R_{hs}$  under free convection depends on  $\Delta T$  with the power law  $R_{th} \sim \Delta T^{-0,25}$  (with laminar flow),

a correction factor must be considered when the operating  $\Delta T$  is different from what used by the heatsink manufacturer in the measurement.

- **Surface finishing:** the heatsink dissipation depends on the type of surface finishing of heatsink itself (anodized/black surfaces dissipate differently from polished surfaces).
- **Heatsink attachment/orientation:** heatsink attachment/orientation plays a significant role under natural convection. It is recommended that the heatsink be installed to orient the fins in a direction that will not block air movement under natural convection. Based practical experience, if the heatsink is oriented in a wrong way, the thermal performance will be approximately 25% worse under natural convection condition.



**All the above factors considered, we recommend to multiply the calculated  $R_{HS}$  by 0.7 to obtain a resistance value with a reasonable safety margin in order to ensure tripless drive operation.**

---

**Note: to study the heat transfer in other cooling media of different geometry (e.g. cooling plate without fins), please contact your local Vacon supplier to receive support in dimensioning method.**

## 4. POWER CABLING

The mains cables are connected to terminals L1, L2 and L3 and the motor cables to terminals marked with U, V and W. See principal connection diagram in Figure 14. See also Table for the cable recommendations for different EMC levels.

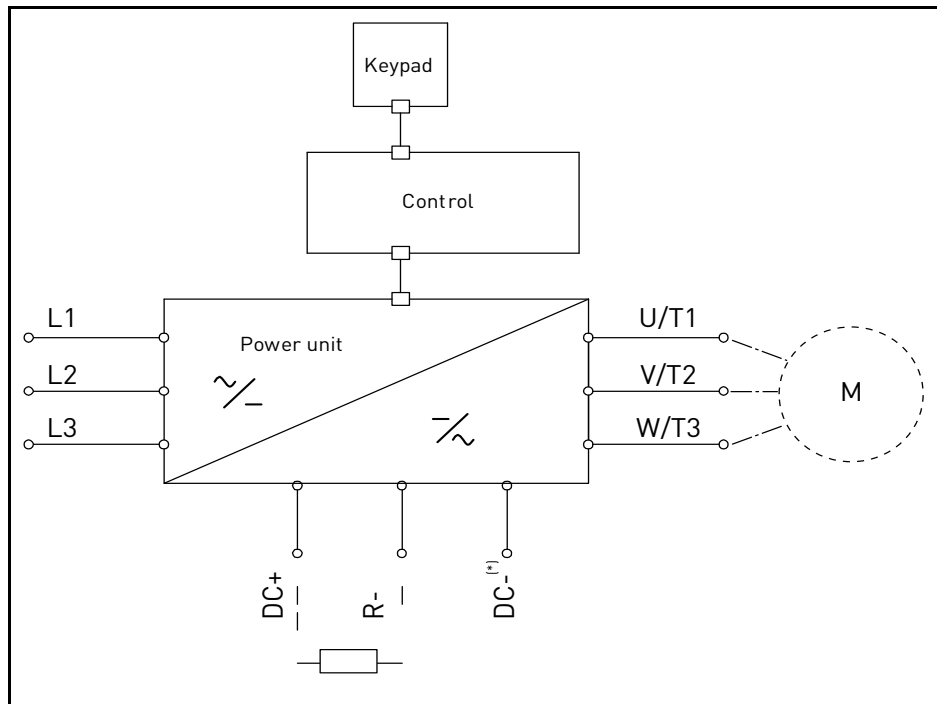


Figure 14. Principal connection diagram(\* only MS3).

Use cables with heat resistance in accordance with the application requirements. The cables and the fuses must be dimensioned according to the AC drive nominal OUTPUT current which you can find on the rating plate.

Cable type	EMC levels		
	1 <sup>st</sup> environment	2 <sup>nd</sup> environment	
	Category C2	Category C3	Category C4
Mains cable	1	1	1
Motor cable	3*	2	2
Control cable	4	4	4

Table 10: Cable types required to meet standards.

1 = Power cable intended for fixed installation and the specific mains voltage. Shielded cable not required. (MCMK or similar recommended).

2 = Symmetrical power cable equipped with concentric protection wire and intended for the specific mains voltage. (MCMK or similar recommended). See Figure 15.

3 = Symmetrical power cable equipped with compact low-impedance shield and intended for the specific mains voltage. [MCCMK, EMCCK or similar recommended; Recommended cable transfer impedance (1...30MHz) max. 100mohm/m]. See Figure 15.

\*360° earthing of the shield with cable glands in motor end needed for EMC category C2.

4 = Screened cable equipped with compact low-impedance shield (JAMAK, SAB/ÖZCuY-0 or similar).

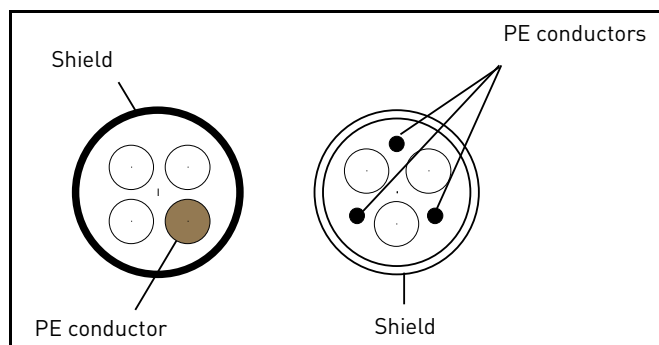


Figure 15.

**NOTE:** The EMC requirements are fulfilled at factory defaults of switching frequencies (all frames).

**NOTE:** If safety switch is connected the EMC protection shall be continuous over the whole cable installation.

#### 4.1 CIRCUIT BREAKER

Please, disconnect the drive via an external circuit breaker. You have to provide a switching device between supply and main connection terminals.

When connecting the input terminals to the power supply using a circuit breaker, observe that this is of **type B or type C** and chose it with a **capacity of 1.5 to 2 times of the inverter's rated current** (see Table 24).

#### 4.2 UL STANDARDS ON CABLING

To meet the UL (Underwriters Laboratories) regulations, use a UL-approved copper cable. Use Class 1 wire only.

The units are suitable for use on a circuit capable of delivering no more than 100,000 rms symmetrical amperes, 600V AC maximum.

##### 4.2.1 CABLE DIMENSIONING AND SELECTION

Table 11 shows the minimum dimensions of the Cu-cables and the corresponding fuse sizes.

These instructions apply only to cases with one motor and one cable connection from the AC drive to the motor. In any other case, ask the factory for more information.

#### 4.2.1.1 CABLE AND FUSE SIZES, FRAMES MS2 TO MS3

The recommended fuse types are gG/gL (IEC 60269-1) or class T (UL & CSA). The fuse voltage rating should be selected according to the supply network. The final selection should be made according to local regulations, cable installation conditions and cable specifications. Bigger fuses than what is recommended below shall not be used.

Check that the fuse operating time is less than 0.4 seconds. Operating time depends on used fuse type and impedance of the supply circuit. Consult the factory about faster fuses. Vacon offers recommendations also for high speed J (UL & CSA), aR (UL recognized, IEC 60269-4) and gS (IEC 60269-4) fuse ranges.

Frame	Type	$I_{INPUT}$ [A]	Fuse (gG/gL) [A]	Mains and motor cable Cu [mm <sup>2</sup> ]	Terminal cable size	
					Main terminal [mm <sup>2</sup> ]	Earth terminal [mm <sup>2</sup> ]
MS2	0004 2—0007 2	4.3—8.4	10	3*1.5+1.5	0.2 — 2.5	ring terminal
MS3	0011 2	13.4	20	3*2.5+2.5	0.5 — 16.0	ring terminal
	0012 2	14.2	20	3*2.5+2.5	0.5 — 16.0	ring terminal
	0017 2	20.6	25	3*6+6	0.5 — 16.0	ring terminal

Table 11. Cable and fuse sizes for VACON<sup>®</sup> 20 CP, 208-240V (MS2 and MS3).

Frame	Type	$I_{INPUT}$ [A]	Fuse (gG/gL) [A]	Mains and motor cable Cu [mm <sup>2</sup> ]	Terminal cable size	
					Main terminal [mm <sup>2</sup> ]	Earth terminal [mm <sup>2</sup> ]
MS2	0003 4—0004 4	3.2—4.0	6	3*1.5+1.5	0.2 — 2.5	ring terminal
	0005 4—0006 4	5.6—7.3	10	3*1.5+1.5	0.2 — 2.5	ring terminal
	0008 4	9.6	20	3*2.5+2.5	0.2 — 2.5	ring terminal
MS3	0009 4	11.5	20	3*2.5+2.5	0.5 — 16.0	ring terminal
	0012 4	14.9	20	3*2.5+2.5	0.5 — 16.0	ring terminal
	0016 4	20	25	3*6+6	0.5 — 16.0	ring terminal

Table 12. Cable and fuse sizes for VACON<sup>®</sup> 20 CP, 380-480V (MS2 and MS3).

The cable dimensioning is based on the criteria of the International Standard **IEC60364-5-52**: Cables must be PVC-isolated; use only cables with concentric copper shield; Max number of parallel cables is 9.

When using cables in parallel, **NOTE HOWEVER** that the requirements of both the cross-sectional area and the max number of cables must be observed.

For important information on the requirements of the earthing conductor, see chapter Earthing and earth fault protection of the standard.

For the correction factors for each temperature, see International Standard **IEC60364-5-52**.

### **4.3 BRAKE RESISTOR CABLES**

VACON® 20 CP AC drives are equipped with terminals for an optional external brake resistor. These terminals are 6.3 mm Faston for MS2 and spring-type terminals for MS3. See Figure 17 and Figure 18 for the location of these terminals.

See Table 26 and Table 27 for the resistor ratings.

### **4.4 CONTROL CABLES**

For information on control cables see chapter Control unit cabling.

**4.5 CABLE INSTALLATION**

- Before starting, check that none of the components of the AC drive is live. Read the warnings in chapter 1 carefully
- Place the motor cables sufficiently far from other cables
- Avoid placing the motor cables in long parallel lines with other cables.
- If the motor cables run in parallel with other cables note the minimum distances between the motor cables and other cables given in table below.

Distance between cables, [m]	Shielded cable, [m]
0.3	≤ 50
1.0	≤ 200

- The given distances also apply between the motor cables and signal cables of other systems.
- The **maximum length** for motor cables is **30m**
- The motor cables should cross other cables at an angle of 90 degrees.
- If cable insulation checks are needed, see chapter Cable and motor insulation checks.

Start the cable installation according to the instructions below:

1	Strip the motor and mains cables as below recommended.
---	--

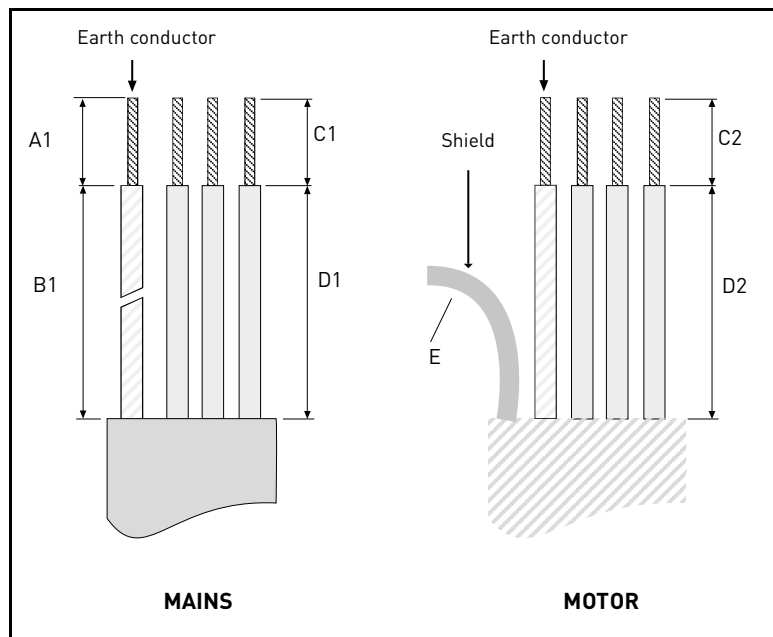


Figure 16. Stripping of cables.

Frame	A1	B1	C1	D1	C2	D2	E
<b>MS2</b>	8	8	8	20	36	20	Leave as short as possible
<b>MS3</b>	8	8	8	20	36	20	

Table 13. Cables stripping lengths [mm].

<b>2</b>	<p>Connect the stripped cables:</p> <ul style="list-style-type: none"> <li>• Expose the shield of all two cables in order to make a 360-degree connection with the cable clamp.</li> <li>• Connect the phase conductors of the supply and motor cables into their respective terminals.</li> <li>• Form the rest of the cable shield of all two cables into “pigtailed” and make a grounding connection with the clamp. Make the pigtailed just long enough to reach and be fixed to the terminal - no longer.</li> </ul>
----------	---

**Tightening torques of cable terminals:**

Frame	Type	Tightening torque [Nm]/[lb-in.] Power and motor terminals		Tightening torque [Nm]/[lb-in.] EMC grounding clamps		Tightening torque, [Nm]/[lb-in.] Grounding terminals	
		[Nm]	lb-in.	[Nm]	lb-in.	[Nm]	lb-in.
<b>MS2</b>	0003 4—0008 4	0.5—0.6	4.5—5.3	1.5	13.3	2.0	17.7
	0004 2—0007 2						
<b>MS3</b>	0009 4—0016 4	1.2—1.5	10.6—13.3	1.5	13.3	2.0	17.7
	0011 2—0017 2						

*Table 14. Tightening torques of terminals.*



## 5. CONTROL UNIT

The control unit of the AC drive consists of the control board and additional boards (option boards) connected to the slot connectors of the control board. The locations of boards, terminals and switches are presented in Figure 17 and Figure 18.

Number	Meaning
1	Control terminals A-20
2	STO terminals
3	Relay terminals
4	Option board terminals
5	STO Jumpers
6	DIP switches
7	Status LEDs
8	HMI connector (RJ45 keypad connector)
9	Optional brake resistor terminals
10	Supply voltage connector for external fan
11	Control terminals A-20 echo connector
12	HMI echo connector (keypad connector)

Table 15. Locations of components in control unit

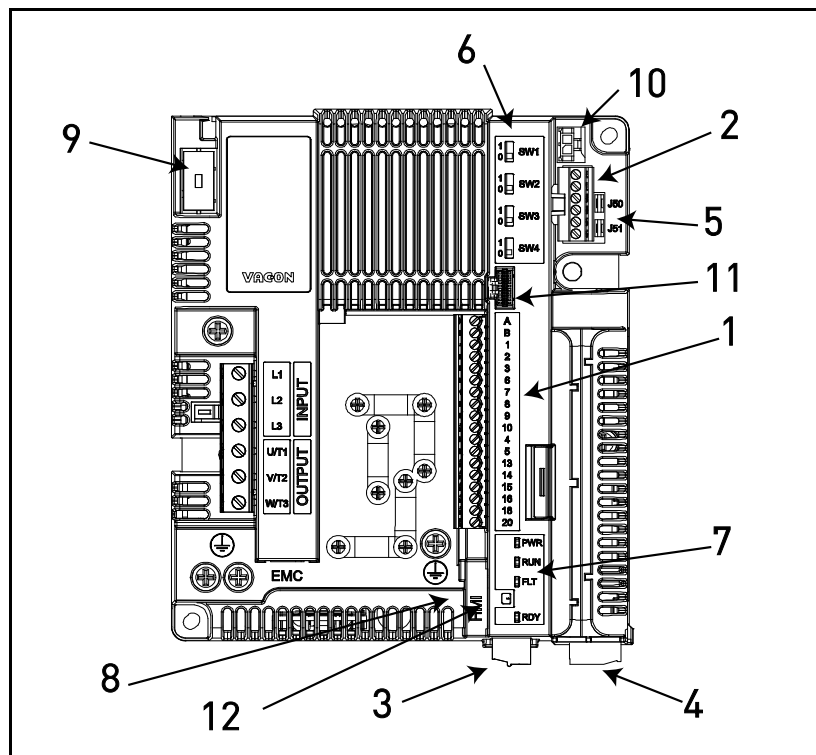


Figure 17. Locations of the components in control unit of MS2.

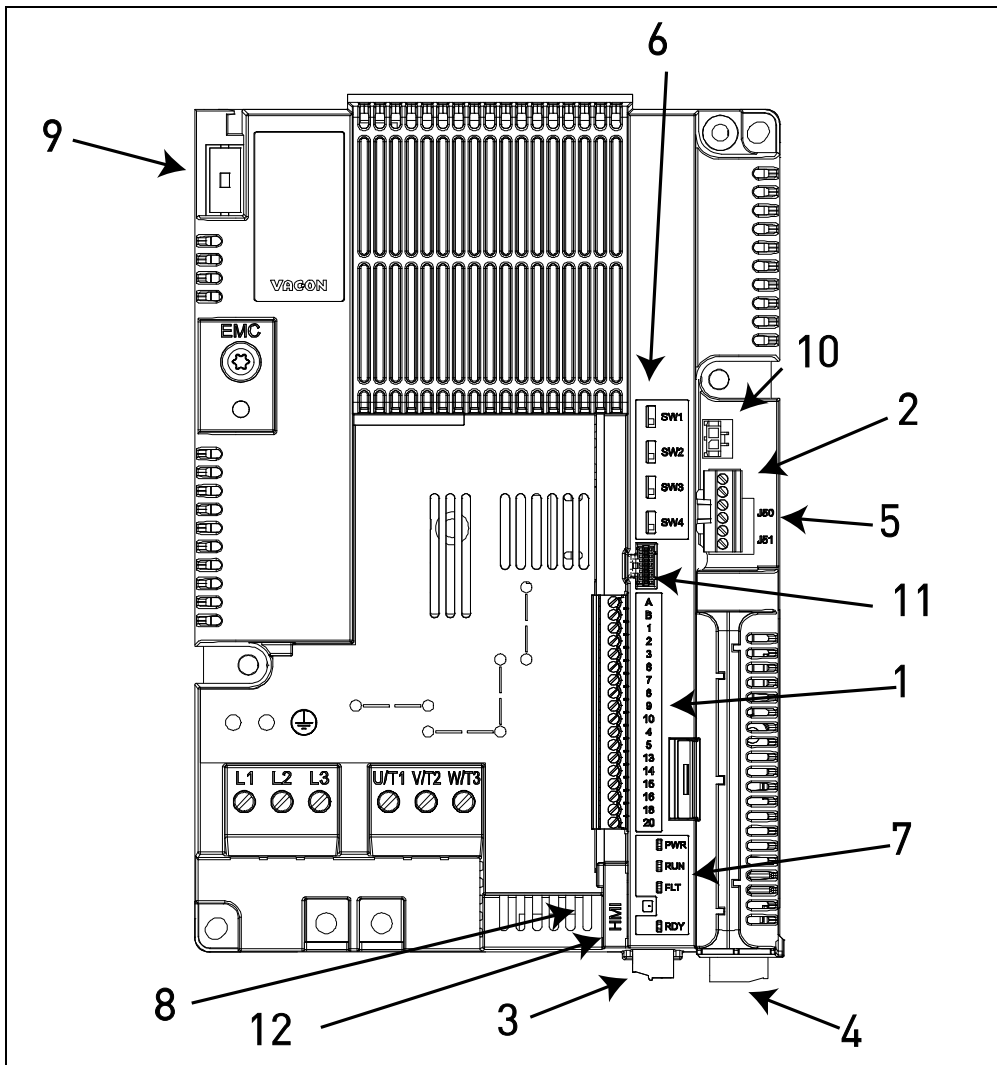


Figure 18. Location of the components in the control unit of MS3.

When delivered from the factory, the control unit of the AC drive contains the standard controlling interface - the control terminals of the control board - unless otherwise specifically ordered. In the following pages you will find the arrangement of the control I/O and the relay terminals, the general wiring diagram and the control signal descriptions.

The control board can be powered externally by connecting an external power source (about 130-150mA at 24VDC are needed to supply the control board without keypad, option board or other loads) between terminal #6 and GND, see chapter 5.1.2. To ensure that the external supply works with any configurations we recommend to use an external supply of +24VDC ±10%, 1000mA overcurrent protected.

This voltage is sufficient for parameter setting and for keeping the control unit active. Note however that the values of the measurements of the main circuit (e.g. DC-link voltage, unit temperature) are not available when the mains is not connected.

In addition to the internal fan, VACON® 20 CP frequency converters include auxiliary fan power supply connector (see 10 in the Figure 17 and Figure 18) for improved air flow and system cooling. The power supply also has automatic thermal switching on/off control: it automatically switches on/off depending on internal cold plate temperature. The electric specifications for the auxiliary fan power supply are shown in the following table:

Terminals	Signals	
	MS2	MS3
FAN+	24VDC $\pm$ 10% maximum output current 200mA	24VDC $\pm$ 10% maximum output cur- rent 700mA
FAN-	GND	GND

Table 16. Electric specifications for the auxiliary fan power supply.

The connector for the auxiliary fan supply is a Micro-Fit 3.0™ Header, Surface Mount Compatible, Single Row, Vertical with PCB Polarizing Peg by Molex (part number 43650-0215). This connection is echoed in the HMI echo connector. See Figure 17 and Figure 18 for the location of the connectors and Table 22 for the description of the HMI echo terminal.

To connect the auxiliary fan to VACON® 20 CP drives you have to use a Micro-Fit 3.0™ Receptacle Crimp Housing, Single Row by Molex® (part number 43645-0200). See the picture below for more details.

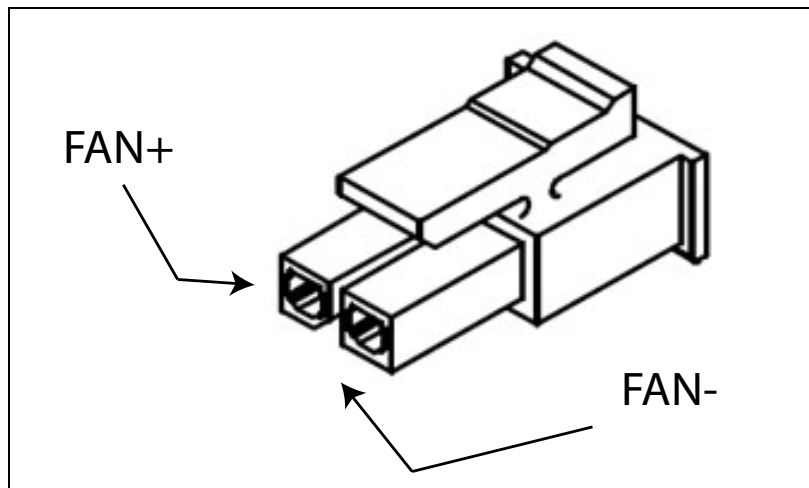


Figure 19. Micro-Fit 3.0™ Housing.

**5.1 CONTROL UNIT CABLING**

The principal terminal block placement is shown in Figure 20 below. The control board is equipped with 23 fixed control I/O terminals. Additionally, the terminals for the Safe Torque Off (STO) function (see chapter 9) can be seen in the picture below. All signal descriptions are given in Table 18 too.

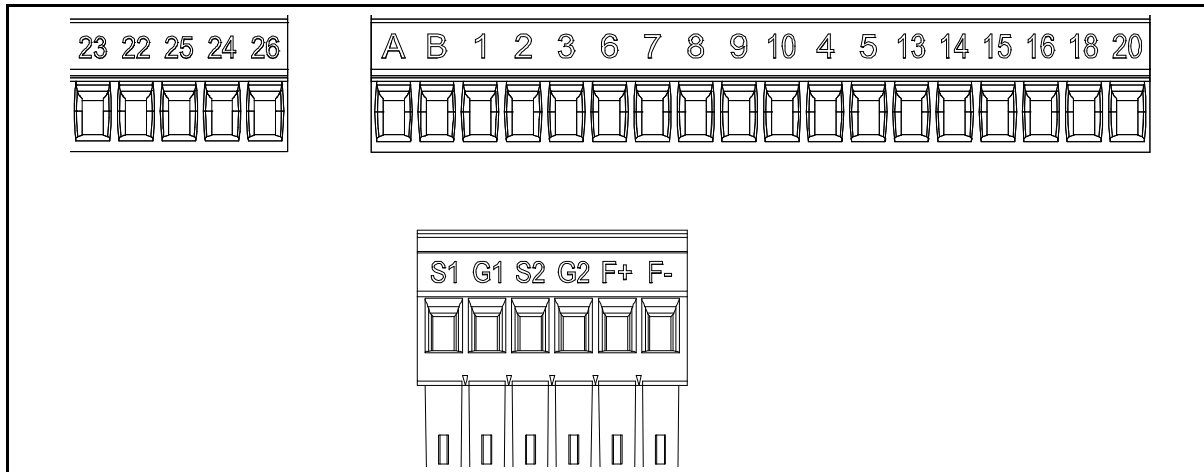


Figure 20. Control terminals.

**5.1.1 CONTROL CABLE SIZING**

The control cables shall be at least 0.14 mm<sup>2</sup> screened multi core cables, see Table . The maximum terminal wire size for the I/O terminals is 1.5 mm<sup>2</sup>.

Find the tightening torques of the I/O (control and relays) and STO terminals in the Table below.

Terminal screw	Tightening torque	
	Nm	lb-in.
I/O terminals and STO terminals (screw M2)	0.22 min 0.25 max	1.94 min 2.21 max

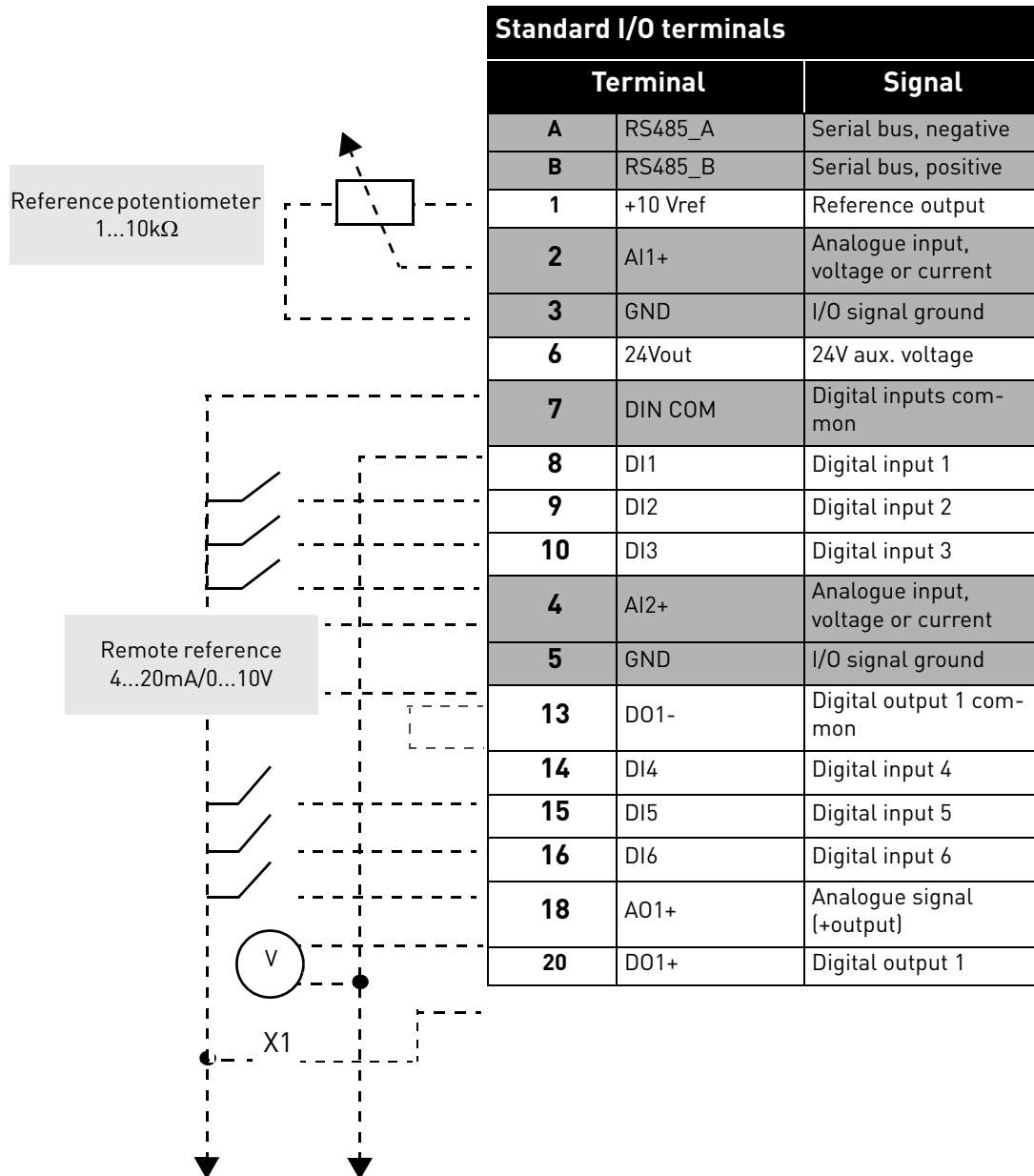
Table 17. Control cable tightening torques.

### 5.1.2 STANDARD I/O TERMINALS

The terminals of the *Standard I/O* are described below. For more information on connections, see chapter 7.3.1.

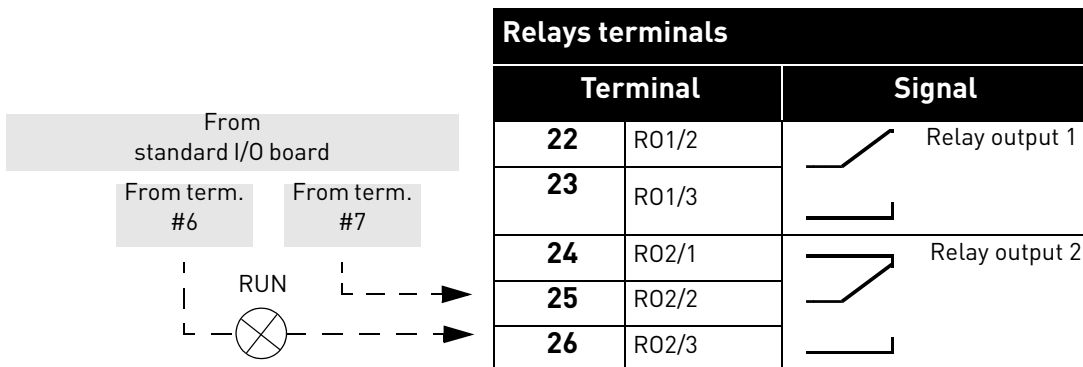
The terminals shown on shadowed background are assigned for signals with optional functions selectable with DIP switches. For more information, see chapter 5.1.7.

Table 18. Control I/O terminal signals and connection example.



5.1.3 RELAY TERMINALS

Table 19. I/O terminal signals for relays and connection example.



5.1.4 SAFE TORQUE OFF (STO) TERMINALS

For more information on the functionalities of the Safe Torque Off (STO), see chapter chapter 9.

Table 20. I/O terminal signals for the STO functions.

Safe Torque Off terminals	
Terminal	Signal
S1	Isolated digital input 1 (interchangeable polarity); +24V ±20% 10...15mA
G1	
S2	Isolated digital input 2 (interchangeable polarity); +24V ±20% 10...15mA
G2	
F+	Isolated feedback (CAUTION! Polarity to be respected); +24V ±20%
F-	Isolated feedback (CAUTION! Polarity to be respected); GND

### 5.1.5 DESCRIPTION OF ADDITIONAL ECHO CONNECTORS

In this paragraph you will find the description of the additional echo connectors for the I/O terminals and for the HMI.

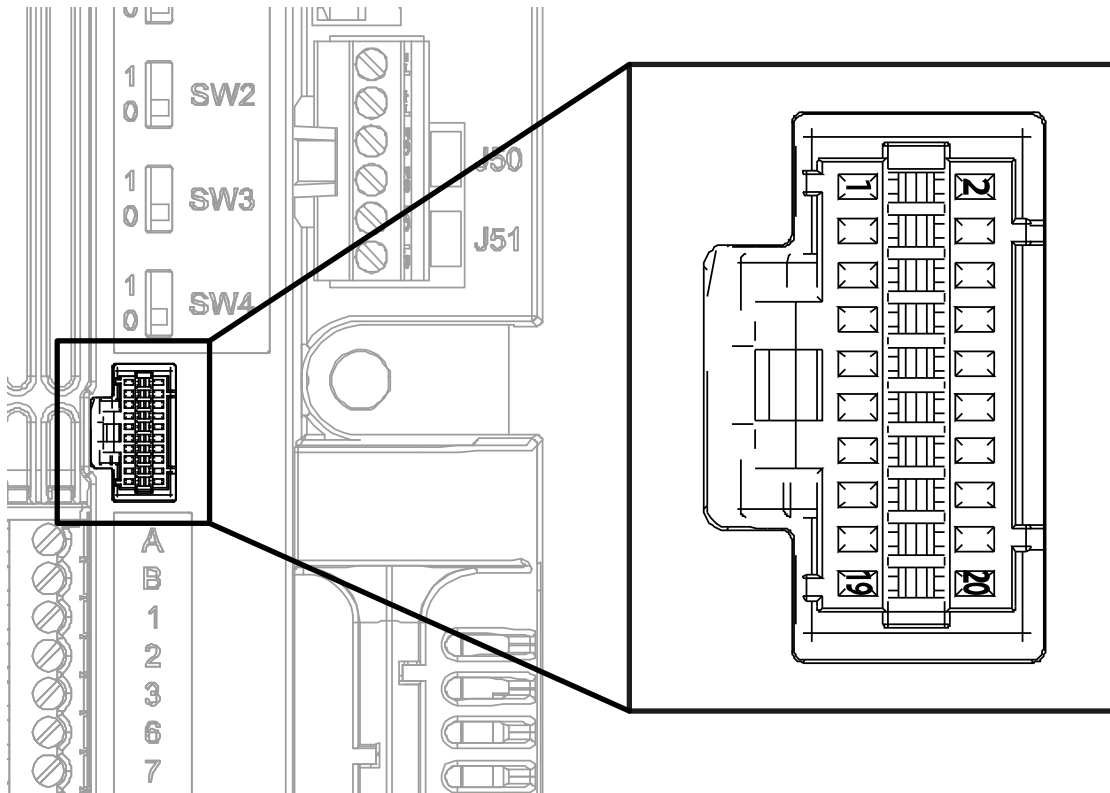


Figure 21. The I/O remote echo connector mounted on the control board.

In Figure 21 the view of Molex<sup>®</sup> connector for the I/O terminals is shown. In the control unit the position of this connector is numbered with 11 as shown in Figure 17 and Figure 18. The type of this connector is Pico-Clasp<sup>™</sup> Wire-to Board PCB Header, Dual Row, Right Angle. The code by Molex<sup>®</sup> is: 501571-2007.

It mates with Pico-Clasp<sup>™</sup> Wire-to Board Receptacle Housing (crimp housing), Dual Row, 20 Circuits. The code by Molex<sup>®</sup> is: 501189-2010. See Figure 22.

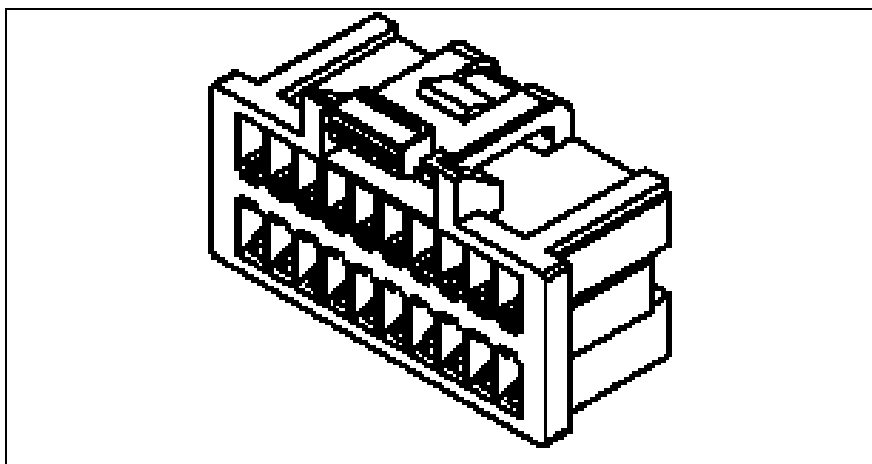


Figure 22. Receptacle housing for I/O remote echo connector.

To connect I/Os to the control unit through echo terminals this connector has to be used. In the following table, the correspondence between the pins of this connector and the VACON® 20 CP terminals is shown.

Pin number	Signal	Description
1	RS485_B	Serial bus, negative
2	DI2	Digital input 2
3	RS485_A	Serial bus, positive
4	DI3	Digital input 3
5	NC	not connected
6	AI2+	
7	NC	not connected
8	GND	
9	+10Vref	
10	DO1-	common for digital output 1
11	AI1+	
12	DI4	Digital input 4
13	GND	
14	DI5	Digital input 5
15	24Vout	
16	DI6	Digital input 6
17	DIN COM	
18	A01+	Analogue output 1
19	DI1	Digital input 1
20	DO1+	Digital output 1

Table 21. I/O remote connector description.



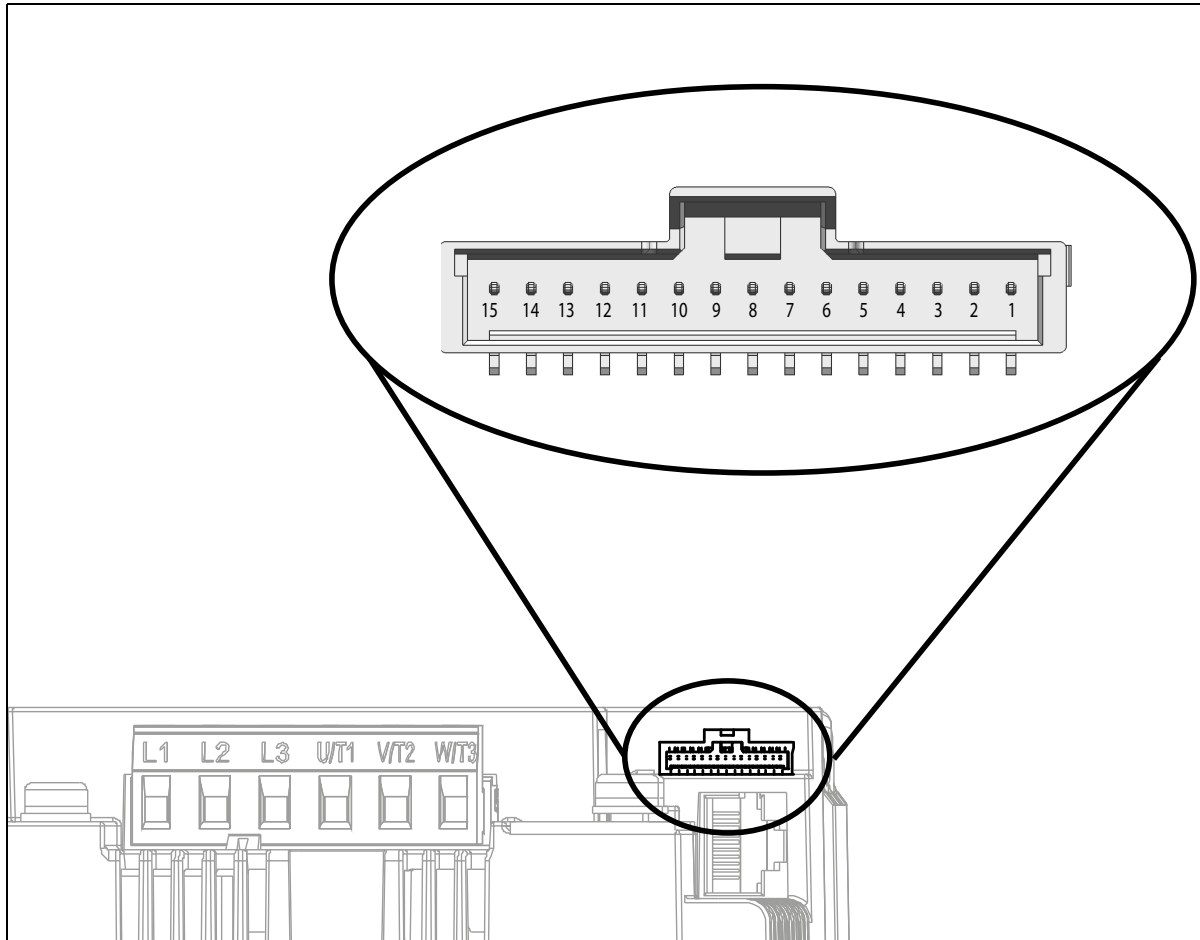


Figure 23. HMI remote connector.

In Figure 23 the view of Molex® connector for the HMI terminals is shown. In the control box the position of this connector is numbered with 8, as shown in Figure 17 and Figure 18. The type of connector is Pico-Clasp™ Wire-to-Board Header, Surface Mount, Single Row, Vertical, with Positive Lock. The code by Molex® is: 501331-1507.

It mates with Pico-Clasp™ Wire-to Board Female Housing (crimp housing), Single Row, with Positive lock, 15 Circuits. The code by Molex® is: 501330-1500.

To connect HMI to the control unit through echo terminals this connector has to be used. In the following table, the correspondence between the pins of this connector and the VACON® 20 CP HMI terminals is shown.

Pin number in RJ45 connector	Pin number of echo connector	Signal	Description
2	15	+24V	Panel supply
6	14	+3.3V	Panel supply
5	13	GND	ground

Table 22. HMI remote connector description with RJ45 correspondences.

Pin number in RJ45 connector	Pin number of echo connector	Signal	Description
1	12	Keyp_TX+	RS422 (connection for panel communication)
4	11	Keyp_TX-	
3	10	Keyp_RX+	
7	9	Keyp_RX-	
8	8	Led_CTRL1	Control signal for LED1
-	7	Led_CTRL2	Control signal for LED2
-	6	Led_CTRL3	Control signal for LED3
-	5	FAN+	External FAN+ (+24V)
-	4	FAN-	GND for external FAN
-	3	nc	not connected
-	2	nc	not connected
-	1	nc	not connected

Table 22. HMI remote connector description with RJ45 correspondences.

### 5.1.6 LED HANDLING

As VACON® 20 Cold plate is often without the panel, on the plastic cover of the drive there are 4 status LEDs. See the picture below.

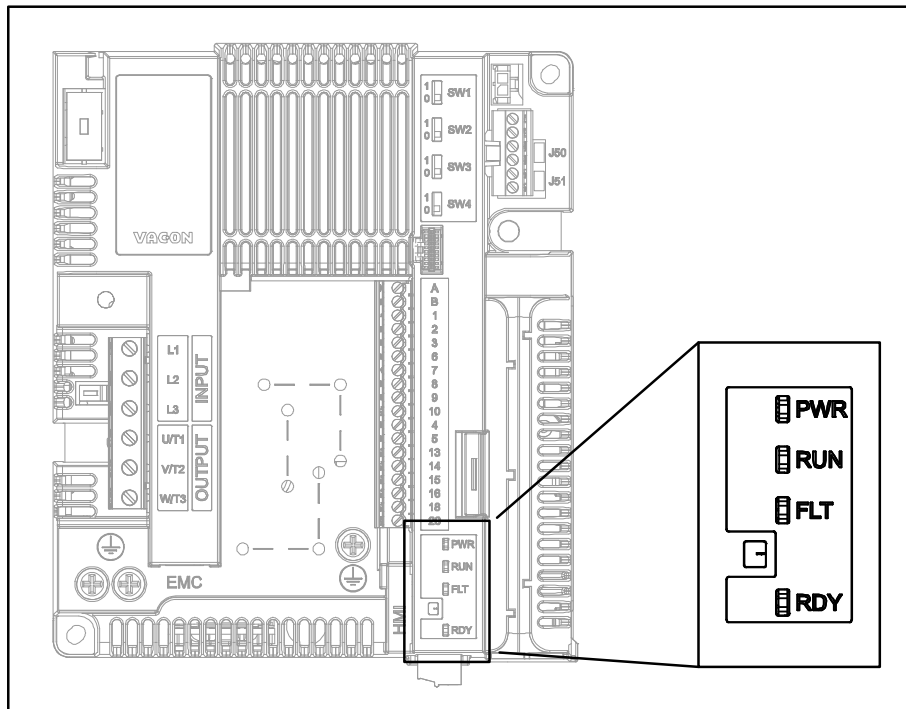


Figure 24. LED position on the MS2 cover.

Led "PWR" (orange led) means the drive is supplied by mains.

Led "RUN" (green led) means the drive is running.

Led "FLT" (red led) means the drive is in fault.

Led "RDY" (orange led) means the drive is ready and no fault is present. When a Warning is active, the led starts blinking.

### 5.1.7 SELECTION OF TERMINAL FUNCTIONS WITH DIP SWITCHES

VACON® 20 Cold Plate drive embodies four so-called *switches* that allow for two functional selections each. The shadowed terminals in Table 18 can be functionally modified with the dip switches.

The switches have two positions: 0 and 1. See Figure 25 to locate the switches and make appropriate selections for your requirements.

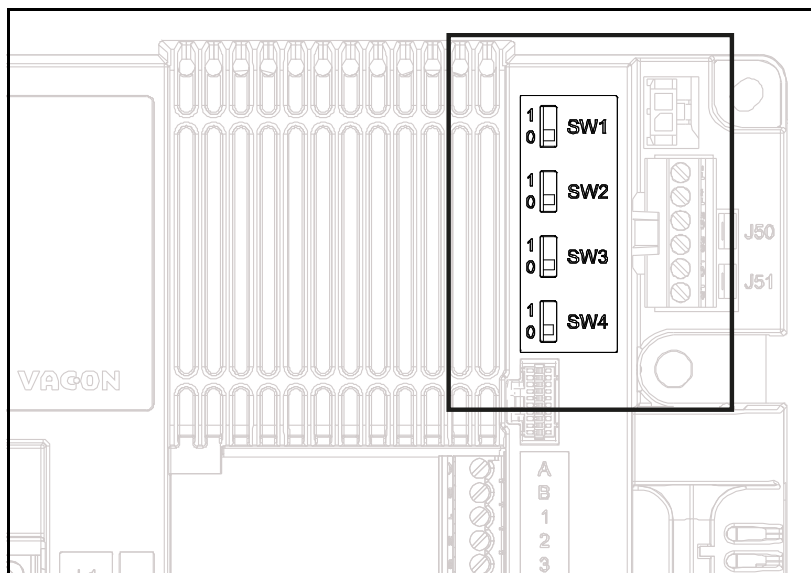


Figure 25. Dip switches

#### 5.1.7.1 Switch SW1

The digital inputs (terminals 8-10 and 14-16) on the standard I/O board can be **isolated** from ground by setting the *dip switch SW1* to position '1'. See Figure 25. Locate the switch and set it in the desired position. The switch in the position "0" means that the common of digital input have been connected to the ground. The default position is "0".

#### 5.1.7.2 Switches SW2 and SW3

Analogue inputs can be used as either current inputs or voltage inputs. The signal type is selected with two switches on the control board.

The switch SW2 is related to analogue input AI1. In position "1" the analogue input AI1 works in voltage mode. In position "0" the analogue input works in current mode. The default position for SW2 is "1".

The voltage range is 0...10V and the current is 0/4.....20 mA.

The switch SW3 is related to analogue input AI2. In the position "1" the analogue input AI2 works in voltage mode. In the position "0" the analogue input works in current mode. The default position for SW3 is "0".

The voltage range is 0...10V and the current is 0/4.....20 mA.

#### 5.1.7.3 Switch SW4

The switch SW4 is related to the RS485 connection. It's used for bus termination. The bus termination must be set to the first and to the last device on the network. The switch SW4 in position "0" means that termination resistance is connected and the termination of the bus has been set. If the Vacon 20 CP is the last device on the net, this switch must be set to "0" position. The default position for SW4 is "1".

## 5.2 FIELDBUS CONNECTION

Modbus is a communication protocol developed by Modicon systems. In other words, it is a way of sending information between electronic devices. The device requesting the information is called the Modbus Master and the devices supplying information are Modbus Slaves. In a standard Modbus network, there is one Master and up to 247 Slaves, each with a unique Slave Address from 1 to 247. The Master can also write information to the Slaves. Modbus is typically used to transmit signals from instrumentation and control devices back to a main controller or data gathering system.

The Modbus communication interface is built around messages. The format of these Modbus messages is independent of the type of physical interface used. The same protocol can be used regardless of the connection type. Thanks to this, Modbus gives the possibility to easily upgrade the hardware structure of an industrial network, without the need for large changes in the software. A device can also communicate with several Modbus nodes at once, although they are connected with different interface types, with no need to use a different protocol for every connection.

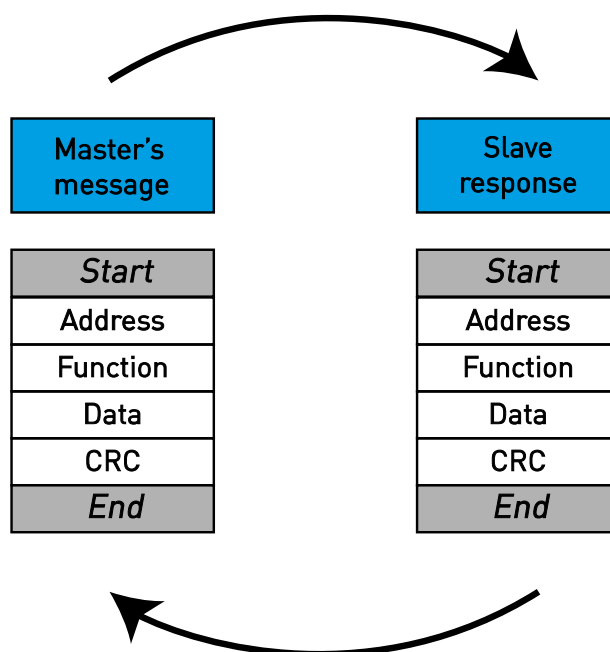


Figure 26. Basic structure of Modbus frame.

On simple interfaces such as RS485, the Modbus messages are sent in plain form over the network. In this case the network is dedicated to Modbus.

Each Modbus message has the same structure. Four basic elements are present in each message. The sequence of these elements is the same for all messages, to make it easy to parse the content of the Modbus message. A conversation is always started by a master in the Modbus network. A Modbus master sends a message and — depending of the contents of the message — a slave takes action and responds to it. There can be more masters in a Modbus network. Addressing in the message header is used to define which device should respond to a message. All other nodes on the Modbus network ignore the message if the address field doesn't match their own address.

5.2.1 MODBUS RTU PROTOCOL

<b>Connections and communications</b>	Interface	RS-485
	Data transfer method	RS-485 MS/TP, half-duplex
	Transfer cable	STP (shielded twisted pair), type Belden 9841 or similar
	Connector	2.5 mm <sup>2</sup>
	Electrical isolation	Functional
	Modbus RTU	As described in "Modicon Modbus Protocol Reference Guide"
	Baud rate	300, 600, 1200, 2400, 4800, 9600, 19200, 38400 and 57600 baud
	Addresses	1 to 247

Table 23.

VACON® 20 CP drive is equipped with Modbus support as standard. The AC drive can be connected to fieldbus through RS485. The connection for RS485 is on the standard I/O (terminals A and B). See Figure 27.

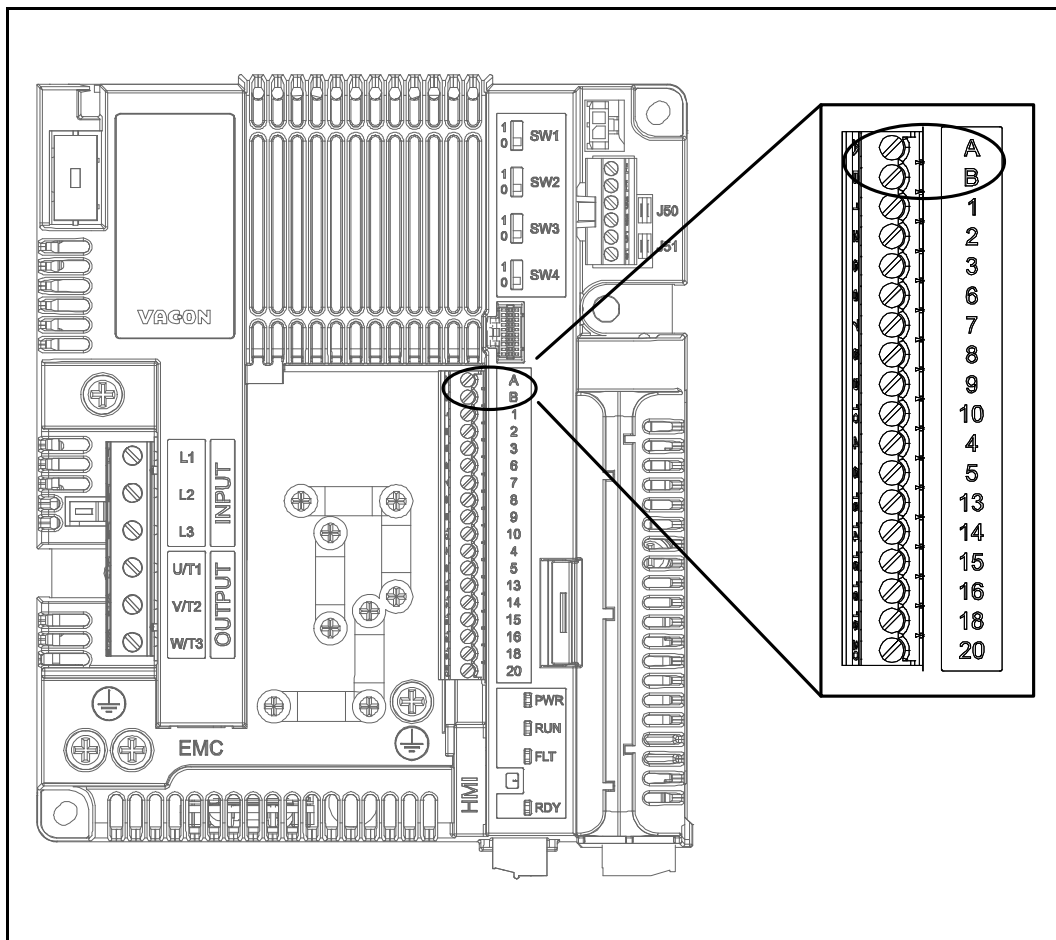
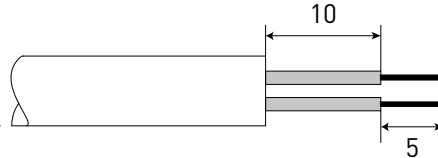
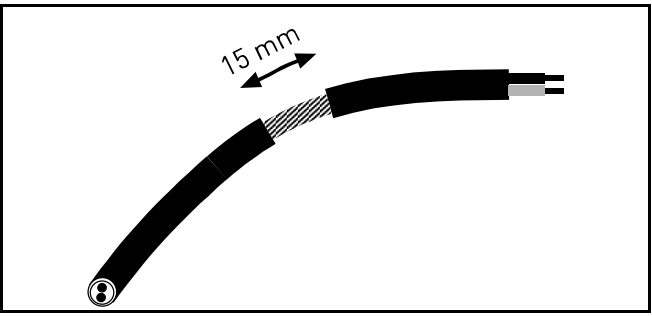
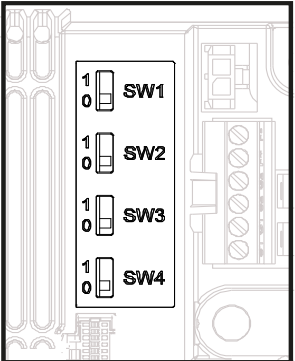


Figure 27. Position of the RS485 terminals on the I/O standard terminal connector.

5.2.2 PREPARATION FOR USE THROUGH RS485

<p><b>1</b></p>	<p>Strip about 15 mm of the RS485 cable (see specification on Table 23) and cut off the grey cable shield. Remember to do this for both bus cables (except for the last device).</p> <p>Leave no more than 10 mm of the cable outside the terminal block and strip the cables at about 5 mm to fit in the terminals. See picture below.</p>  <p>Also strip the cable now at such a distance from the terminal that you can fix it to the frame with the grounding clamp. Strip the cable at a maximum length of 15 mm. <b>Do not strip the aluminium cable shield!</b></p> 
<p><b>2</b></p>	<p>Then connect the cable to its appropriate terminals on VACON® 20 CP AC drive standard terminal block, terminals <b>A and B</b> (A = negative, B = positive).</p>
<p><b>3</b></p>	<p>Using the cable clamp included in the supply of the drive, ground the shield of the RS485 cable to the frame of the AC drive.</p>
<p><b>4</b></p>	<p><b>If VACON® 20 Cold Plate drive is the last device on the bus</b>, the bus termination must be set. Locate the switches to the right of the control terminals (see Figure 25) and turn the SW4 switch to position "1". Biasing is built in the termination resistor.</p> 
<p><b>5</b></p>	<p><b>NOTE:</b> When planning the cable runs, remember to keep the distance between the fieldbus cable and the motor cable at a <b>minimum of 30 cm</b>.</p>
<p><b>6</b></p>	<p>The bus termination must be set for the first and the last device of the fieldbus line. We recommend that the first device on the bus and, thus, terminated, was the Master device.</p>





## 6. COMMISSIONING

Before commissioning, note the following directions and warnings:



Internal components and circuit boards of VACON<sup>®</sup> 20 CP drive (except for the galvanically isolated I/O terminals) are live when it is connected to mains potential. **Coming into contact with this voltage is extremely dangerous and may cause death or severe injury.**



The motor terminals **U, V, W** and the brake resistor terminals **are live** when VACON<sup>®</sup> 20 CP drive is connected to mains, **even if the motor is not running.**



The control I/O-terminals are isolated from the mains potential. However, the **relay outputs and other I/O-terminals may have a dangerous control voltage** present even when VACON<sup>®</sup> 20 CP drive is disconnected from mains.



Do not make any connections to or from the frequency converter when it is connected to the mains.




**After disconnecting** the AC drive from the mains, **wait** until the indicators on the powerhead go out. Wait additional 30 seconds before doing any work on the connections of VACON<sup>®</sup> 20 CP drive. Do not open the unit before this time has expired. After expiration of this time, use a measuring equipment to absolutely ensure that no voltage is present. **Always ensure absence of voltage before starting any electrical work!**

### 6.1 COMMISSIONING OF THE DRIVE

Read carefully the safety instructions in Chapter 1 and above and follow them.

After the installation:

<input type="checkbox"/>	Check that both the frequency converter and the motor are grounded.
<input type="checkbox"/>	Check that the mains and motor cables comply with the requirements given in chapter 4.1.1.
<input type="checkbox"/>	Check that the control cables are located as far as possible from the power cables, see chapter 4.4.
<input type="checkbox"/>	Check that the shields of the shielded cables are connected to protective earth marked with  .
<input type="checkbox"/>	Check the tightening torques of all terminals.
<input type="checkbox"/>	Check that the wires do not touch the electrical components of the drive.
<input type="checkbox"/>	Check that the common inputs of digital input groups are connected to +24V or ground of the I/O terminal.
<input type="checkbox"/>	Check the quality and quantity of cooling air.
<input type="checkbox"/>	Check the inside of the frequency converter for condensation.
<input type="checkbox"/>	Check that all Start/Stop switches connected to the I/O terminals are in Stop-position.
<input type="checkbox"/>	Before connecting the frequency converter to mains: Check mounting and condition of all fuses and other protective devices.

## 6.2 CHANGING EMC PROTECTION CLASS

The EMC protection class of Vacon 20 CP can be changed from class C2 to class C4. This is done as described below:



Warning! Do not perform any modifications on the AC drive when it is connected to mains.

### 6.2.1 CHANGING EMC PROTECTION CLASS - MS2

1

Remove the three screws on the EMC plate from the unit.

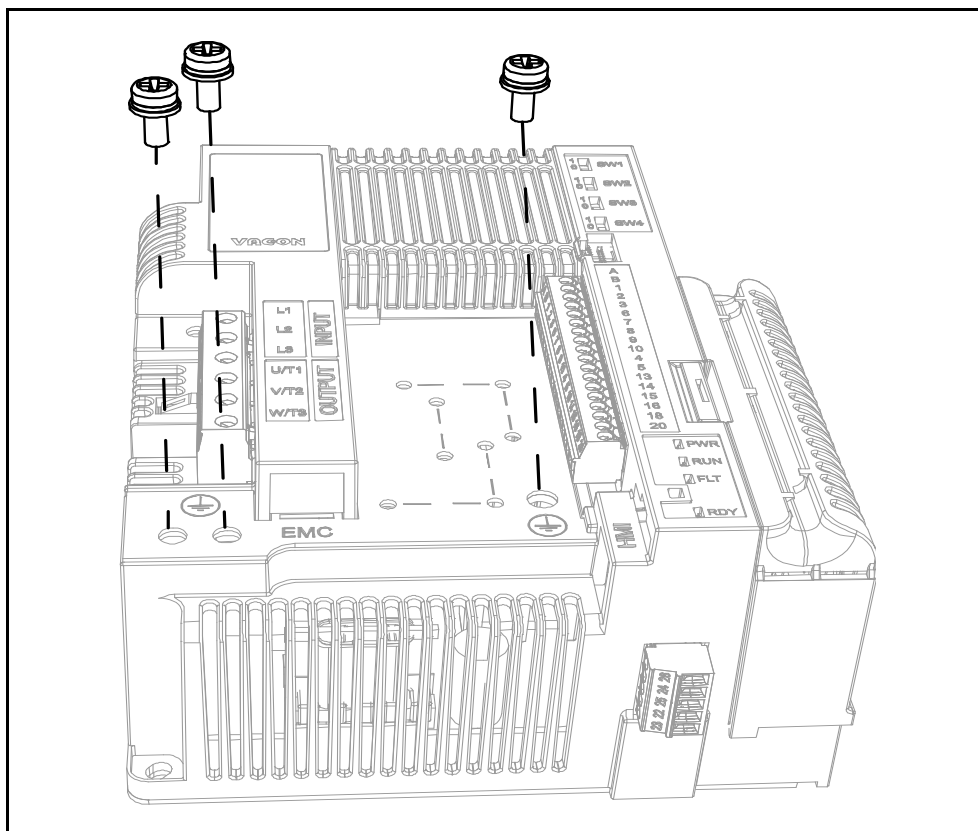


Figure 28. Changing of the EMC class in MS2.

**2** Remove the EMC plate from the unit. Then turn up the lamella with pliers to disconnect the EMC plate from the ground. See Figure 29.  
Then reconnect the EMC plate to the unit.

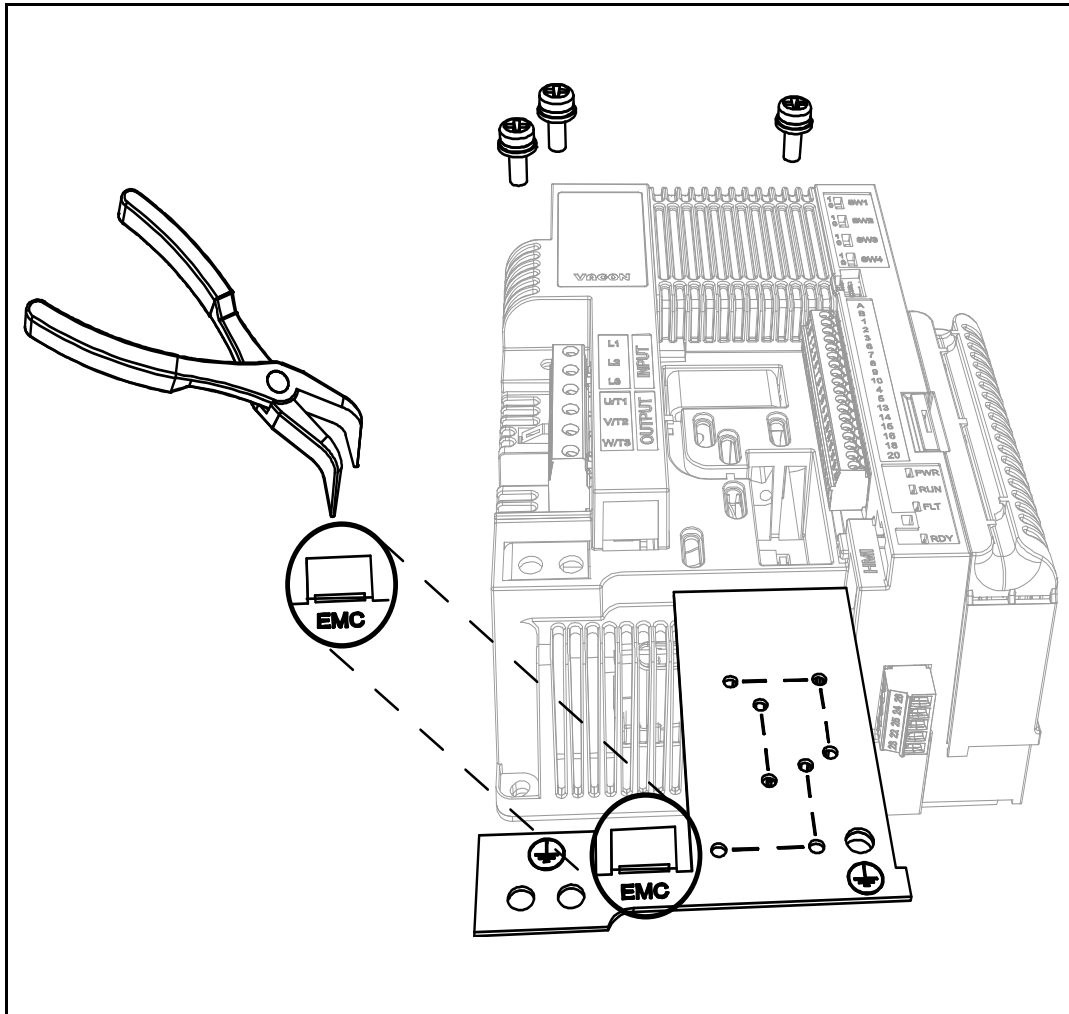


Figure 29. Changing of the EMC class in MS2.

6.2.2 CHANGING EMC PROTECTION CLASS - MS3

**1** Remove the EMC screw as shown in the Figure 30.

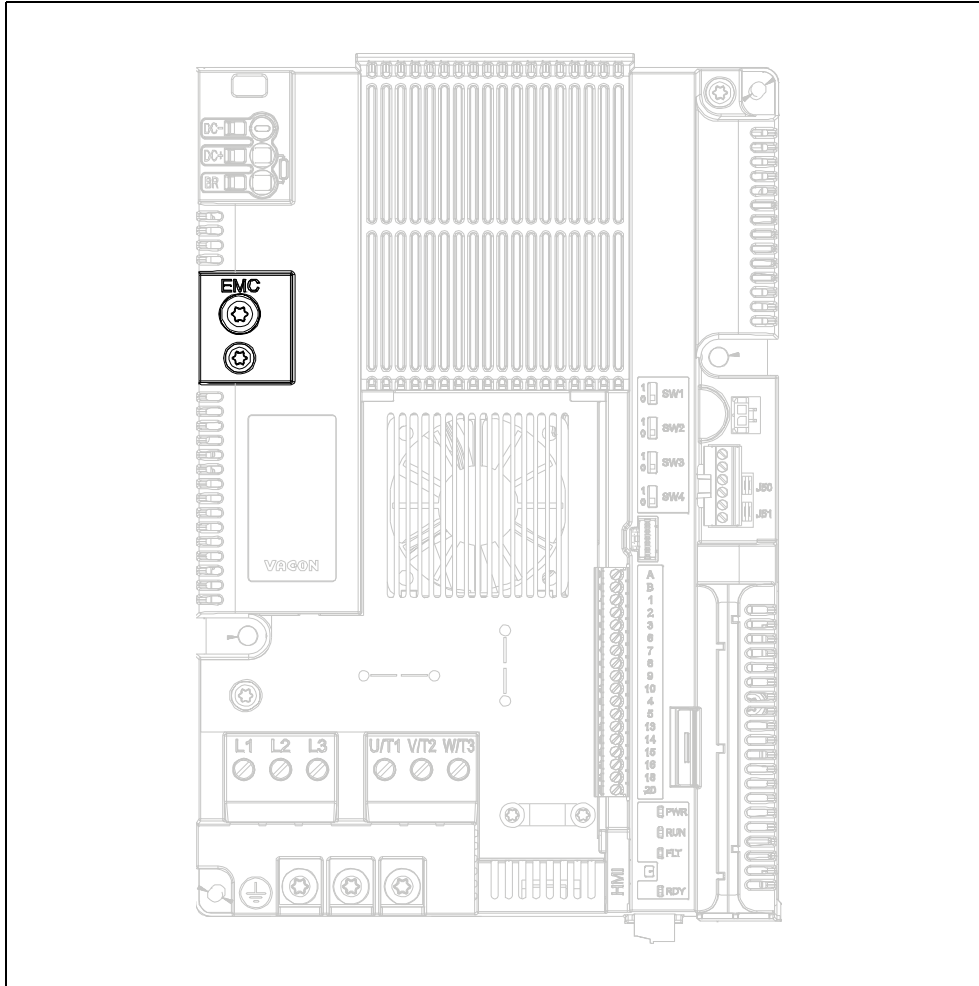


Figure 30. Changing the EMC class in the MS3.

	<p><b>CAUTION!</b> Before connecting the AC drive to mains make sure that the EMC protection class settings of the drive are appropriately made.</p>
	<p><b>NOTE!</b> After having performed the change write 'EMC level modified' on the sticker included in the VACON® 20 CP delivery (see below) and note the date. Unless already done, attach the sticker close to the name plate of the AC drive.</p> <div style="border: 1px solid black; padding: 5px; margin: 10px auto; width: fit-content;"> <p style="text-align: center;"><b>Product modified</b></p> <p style="text-align: center;">Date: .....</p> <p style="text-align: center;">Date: .....</p> <p style="text-align: center;">EMC-level modified C1-&gt;C4 Date:DDMMYY </p> </div>

### 6.3 RUNNING THE MOTOR

#### MOTOR RUN CHECK LIST



**Before starting the motor**, check that the motor is **mounted properly** and ensure that the machine connected to the motor allows the motor to be started.

---



Set the maximum motor speed (frequency) according to the motor and the machine connected to it.

---



**Before reversing the motor** make sure that this can be done safely.

---



Make sure that no power correction capacitors are connected to the motor cable.

---



Make sure that the motor terminals are not connected to mains potential.

#### 6.3.1 CABLE AND MOTOR INSULATION CHECKS

1. Motor cable insulation checks  
Disconnect the motor cable from terminals U, V and W of the AC drive and from the motor. Measure the insulation resistance of the motor cable between each phase conductor as well as between each phase conductor and the protective ground conductor. The insulation resistance must be  $>1\text{M}\Omega$  at ambient temperature of  $20^\circ\text{C}$ .
2. Mains cable insulation checks  
Disconnect the mains cable from terminals L1, L2 and L3 of the AC drive and from the mains. Measure the insulation resistance of the mains cable between each phase conductor as well as between each phase conductor and the protective ground conductor. The insulation resistance must be  $>1\text{M}\Omega$  at ambient temperature of  $20^\circ\text{C}$ .
3. Motor insulation checks  
Disconnect the motor cable from the motor and open the bridging connections in the motor connection box. Measure the insulation resistance of each motor winding. The measurement voltage must equal at least the motor nominal voltage but not exceed 1000 V. The insulation resistance must be  $>1\text{M}\Omega$  at ambient temperature of  $20^\circ\text{C}$ .

## 6.4 MAINTENANCE

In normal conditions, the AC drive is maintenance-free. However, regular maintenance is recommended to ensure a trouble-free operation and a long lifetime of the drive. We recommend to follow the table below for maintenance intervals.

Maintenance interval	Maintenance action
Regularly and according to general maintenance interval	<ul style="list-style-type: none"><li>• Check tightening torques of terminals</li></ul>
6...24 months (depending on environment)	<ul style="list-style-type: none"><li>• Check input and output terminals and control I/O terminals.</li><li>• Check for corrosion on terminals and other surfaces</li><li>• Check door filter in case of cabinet installation</li></ul>
24 month	<ul style="list-style-type: none"><li>• Clean heatsink</li></ul>





## 7. TECHNICAL DATA

### 7.1 AC DRIVE POWER RATINGS

#### 7.1.1 MAINS VOLTAGE 3AC 208-240V

Mains Voltage 3AC 208-240V, 50/60 Hz							
	Converter type	Input current [A]	Loadability			Motor shaft power	
			Rated continuous current $I_N$ [A]	50% overload current [A]	Max current $I_S$	230V	240V
						[kW]	[HP]
<b>MS2</b>	0004	<b>4.3</b>	<b>3.7</b>	5.6	7.4	<b>0.75</b>	<b>1.0</b>
	0005	<b>6.8</b>	<b>4.8</b>	7.2	9.6	<b>1.1</b>	<b>1.5</b>
	0007	<b>8.4</b>	<b>7.0</b>	10.5	14.0	<b>1.5</b>	<b>2.0</b>
<b>MS3</b>	0011	<b>13.4</b>	<b>11.0</b>	16.5	22.0	<b>2.2</b>	<b>3.0</b>
	0012	<b>14.2</b>	<b>12.5</b>	18.8	25.0	<b>3.0</b>	<b>4.0</b>
	0017	<b>20.6</b>	<b>17.5</b>	26.3	35.0	<b>4.0</b>	<b>5.0</b>

Table 24. Power ratings of VACON® 20 CP, supply voltage 208-240V.

**NOTE:** The rated currents in given ambient temperatures (in Table 24) are achieved only when the switching frequency is equal to or less than the factory default.

7.1.2 MAINS VOLTAGE 3AC 380-480V

Mains Voltage 3AC 380-480V, 50/60 Hz							
	Converter type	Input current [A]	Loadability			Motor shaft power	
			Rated continuous current $I_N$ [A]	50% overload current [A]	Max current $I_S$	400V	480V
						[kW]	[HP]
<b>MS2</b>	0003	3.2	2.4	3.6	4.8	0.75	1.0
	0004	4.0	3.3	5.0	6.6	1.1	1.5
	0005	5.6	4.3	6.5	8.6	1.5	2.0
	0006	7.3	5.6	8.4	11.2	2.2	3.0
	0008	9.6	7.6	11.4	15.2	3.0	4.0
<b>MS3</b>	0009	11.5	9.0	13.5	18.0	4.0	5.0
	0012	14.9	12.0	18.0	24.0	5.5	7.5
	0016	20	16.0	24.0	32.0	7.5	10.0

Table 25. Power ratings of VACON® 20 CP, supply voltage 380-480V.

**NOTE:** The rated currents in given ambient temperatures (in Table 25) are achieved only when the switching frequency is equal to or less than the factory default.

7.1.3 DEFINITIONS OF OVERLOADABILITY

**Overloadability** =Following continuous operation at rated output current  $I_N$ , the converter supplies 150% \*  $I_N$  for 1 min, followed by a period of at least 9 min at  $I_N$  or below.

Example: If the duty cycle requires 150% rated current for 1 min in every 10 min, the remaining 9 min must be at rated current  $I_N$  or less.

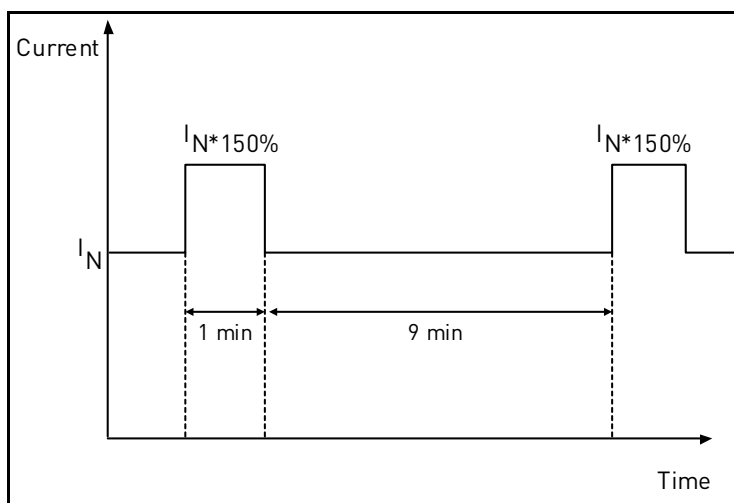


Figure 31. High overload.

## 7.2 BRAKE RESISTORS

<b>Mains Voltage 3AC 208-240 V, 50/60 Hz</b>		
<b>Frame</b>	<b>Type</b>	<b>Minimum Resistance recommended [Ohm]</b>
MS2	0004	50
	0005	50
	0007	50
MS3	0011	25
	0012	25
	0017	25

Table 26. Brake resistor ratings, 208-240V.

<b>Mains Voltage 3AC 380-480 V, 50/60 Hz</b>		
<b>Frame</b>	<b>Type</b>	<b>Minimum Resistance recommended [Ohm]</b>
MS2	0003	100
	0004	100
	0005	100
	0006	100
	0008	100
MS3	0009	50
	0012	50
	0016	50

Table 27. Brake resistor ratings, 380-480V.

7.3 VACON<sup>®</sup> 20 CP - TECHNICAL DATA

<b>Mains connection</b>	Input voltage $U_{in}$	3AC 208...240V 3AC 380...480V
	Input voltage tolerance	-15%...+10% continuously
	Input frequency	50/60 Hz
	Input frequency tolerance	45...66 Hz
	Protection class	I
	Connection to mains	Once per minute or less
	Starting delay	4 s
	Supply network	TN-networks (cannot be used with corner earthed networks)
	Short-circuit current	Maximum short-circuit current has to be <50kA
<b>Motor connection</b>	Output voltage	0... $U_{in}$
	Rated output current	$I_N$ : Enclosure temperature max. +70°C. See Table 24.
	Overload output current	1.5 x $I_N$ (1 min/10 min)
	Starting current	$I_S$ for 2 s every 20 s ( $I_S = 2.0 * I_N$ )
	Output frequency	0...320 Hz
	Frequency resolution	0.01 Hz
	Protection class	I
	Motor characteristics	AC squirrel cage motors Permanent magnet motors
	Cable type	Screened motor cable
	Cable maximum length	30 m
<b>Control characteristics</b>	Switching frequency	Programmable 2...16 kHz; Default 6 kHz. Automatic switching frequency derating in case of overheating
	Frequency reference: Analogue input Panel reference	Resolution ±0.05% (11-bit), accuracy ±1% Resolution 0.01 Hz
	Field weakening point	8...320 Hz
	Acceleration time	0.1...3000 sec
	Deceleration time	0.1...3000 sec
	Braking	Brake chopper standard in all frames. External brake resistor optional.
<b>Control connections</b>	See Chapter 5.	

<b>Communication interface</b>	Fieldbus	Standard: Serial communication (RS485/Modbus); Optional: CANopen; Profibus DP, DeviceNet
	Status indicators	Drive status indicators (LED) on top side (POWER, RUN, FAULT, READY)
<b>Ambient conditions</b>	Enclosure operating temperature	-10°C (no frost)...+70°C
	Storage temperature	-40°C...+85°C
	Relative humidity	0 to 95% R <sub>H</sub> , non-condensing, non-corrosive, no dripping water
	Pollution degree	PD2
	Altitude	100% load capacity (no derating) up to 1,000m; derating 1% / 100m at 1,000...3,000m
	Degree of protection	MS2: Built-in unit MS3: IP20
	Stationary vibration: Sinusoidal IEC 60068-2	MS2: 3 Hz ≤ f ≤ 9Hz: 10mm 9 Hz ≤ f ≤ 200Hz: 3g
		MS3: 10 Hz ≤ f ≤ 57Hz: 0.075mm 57 Hz ≤ f ≤ 150Hz: 1g
Shock/Bump: IEC 60068-2-29	MS2: 25g/6ms 3M7 (IEC 60721-3-3)	
	MS3: --	
<b>Directives</b>	EMC	2004/108/EC
	Low Voltage	2006/95/EC
<b>Standards</b>	Immunity	EN61800-3 (2004), 1 <sup>st</sup> and 2 <sup>nd</sup> environment
	Emissions	EN61800-3 (2004), Category C2 as standard. The drive can be modified to category C4 .
	Safety	EN 61800-5-1
<b>Approvals</b>	Safety	TÜV - Mark
<b>Declaration of Conformity</b>	USA, Canada	Vacon Compliance testing
	EMC	TÜV - Tested
<b>CE</b>	EC Conformation Declaration	

<b>Protections</b>	Undervoltage trip limit	Depends on supply voltage (0,8775*supply voltage): Supply voltage 400 V: Trip limit <b>351 V</b> Supply voltage 480 V: Trip limit <b>421 V</b> Supply voltage 240 V: Trip limit <b>211 V</b>
	Earth fault protection	Yes
	Mains supervision	Yes
	Motor phase supervision	Yes
	Overcurrent protection	Yes
	Unit overtemperature protection	Yes
	Motor overload protection	Yes
	Motor stall protection	Yes
	Motor underload protection	Yes
	Short-circuit protection of +24V and +10V reference voltages	Yes
	Thermal motor protection	Yes (by PTC with option card)

Table 28. VACON® 20 Cold Plate technical data.

## 7.3.1 TECHNICAL INFORMATION ON CONTROL CONNECTIONS

Standard I/O terminals		
Terminal	Signal	Technical information
<b>A</b>	RS485	Differential receiver/transmitter
<b>B</b>	RS485	Set bus termination with dip switches (see Chapter 5)
<b>1</b>	Reference output	+10V, $\pm 5\%$ ; Maximum current 10 mA
<b>2</b>	Analogue input, voltage or current	Analogue input channel 1 0- +10V ( $R_i = 200 \text{ k}\Omega$ ) 0/4-20 mA ( $R_i = 250 \text{ }\Omega$ ) Resolution 0.05 %, accuracy $\pm 1$ % Selection V/mA with dip-switches (see Chapter 5). Default 0- +10V
<b>3</b>	I/O ground	Ground for reference and controls (connected internally to frame earth through $2\text{M}\Omega$ )
<b>6</b>	24V aux. voltage	+24V, $\pm 10\%$ , max volt. ripple $< 100\text{mVrms}$ ; max. 100 mA Short-circuit protected Can be used with an external power supply (with a current limiter or fuse protected) to supply the control unit and fieldbus for backup purposes. Dimensioning: max. 1000mA/control unit.
<b>7</b>	DIN COM	Common for digital inputs. Connected to GND with dip-switch SW1. See Chapter 5
<b>8</b>	Digital input 1	Positive or negative logic $R_i = \text{min. } 4\text{k}\Omega$ 15...30V = "1" 0...5V = "0"
<b>9</b>	Digital input 2	
<b>10</b>	Digital input 3	
<b>4</b>	Analogue input, voltage or current	Analogue input channel 2 0- +10V ( $R_i = 200 \text{ k}\Omega$ ) 0/4-20 mA ( $R_i = 250 \text{ }\Omega$ ) Resolution 0.05 %, accuracy $\pm 1$ % Selection V/mA with dip-switches (see Chapter 5). Default 0/4-20 mA
<b>5</b>	I/O ground	Ground for reference and controls (connected internally to frame earth through $2\text{M}\Omega$ )
<b>13</b>	Digital output common	Common for digital output 1 (DO1-)
<b>14</b>	Digital input 4	Positive or negative logic $R_i = \text{min. } 4\text{k}\Omega$ 15...30V = "1" 0...5V = "0"
<b>15</b>	Digital input 5	
<b>16</b>	Digital input 6	
<b>18</b>	Analogue signal (+output)	Analogue output channel 1, 0-10V (30mA max) Resolution 0.1 %, accuracy $\pm 2,5$ % Short-circuited protected.
<b>20</b>	Digital Output 1	Open Collector max 35V / 50mA (DO1+)

Table 29. Technical information on standard I/O terminals.

Relay terminals		
Terminal	Signal	Technical information
22	Relay output 1*	Switching capacity 250VAC/3A (only earthed network allowed)
23		
24	Relay output 2*	Switching capacity NO 250VAC/5A NC 250VAC/3A (only earthed network allowed)
25		
26		

\* If 230VAC is used as control voltage from the output relays, the control circuitry must be powered with a separate isolation transformer to limit short circuit current and overvoltage spikes. This is to prevent welding on the relay contacts. Refer to standard EN 60204-1, section 7.2.9

Table 30. Technical information on relays.



## 8. OPTIONS

### 8.1 VACON KEYPAD WITH SEVEN-SEGMENT DISPLAY

The text keypad is an option available for VACON® 20 CP. The control keypad is the interface between the VACON® 20 CP frequency converter and the user.

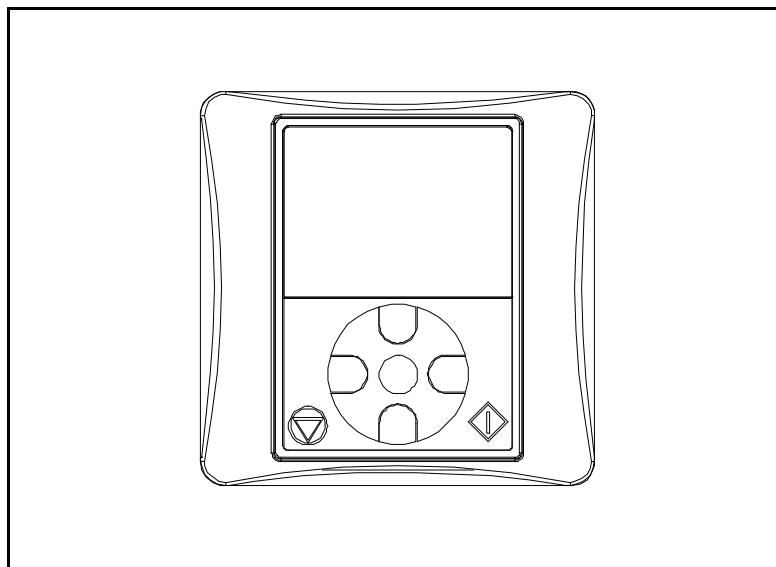


Figure 32. Text keypad.

With the keypad it's possible to control the speed of the motor, to supervise the state of the drive and to set the frequency converter's parameters.

The button section of the text keypad is shown in the following picture.

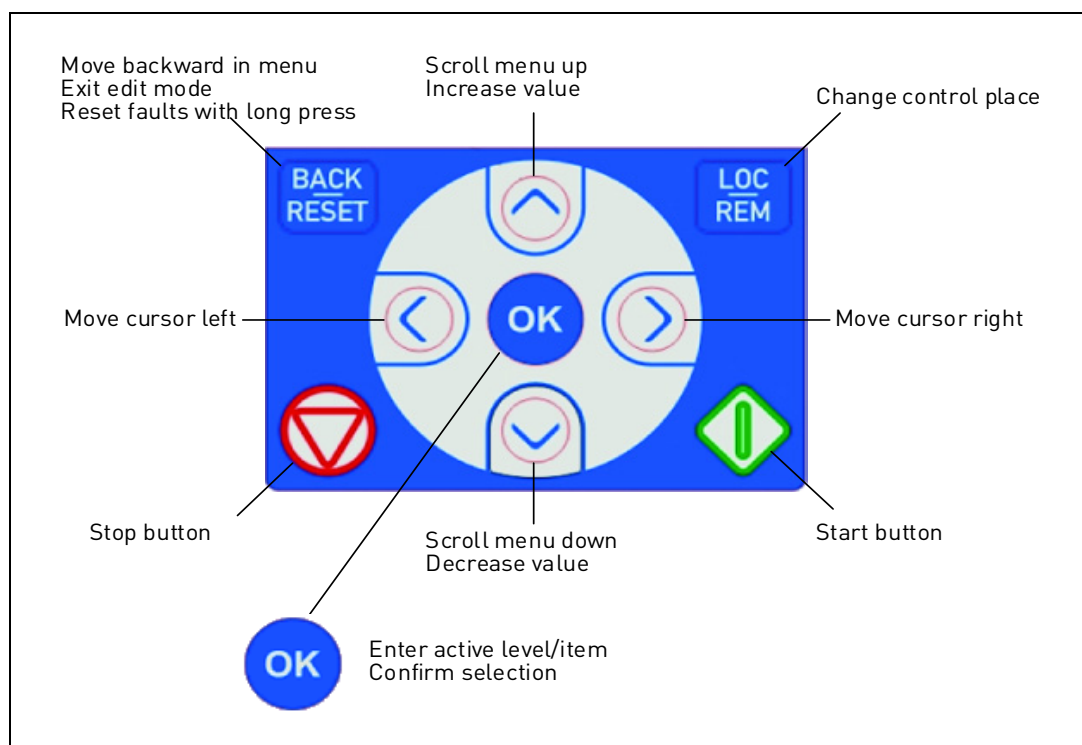


Figure 33. Keypad buttons.

### 8.2 TEXT KEYPAD

The keypad display indicates the status of the motor and the drive and any irregularities in motor or drive functions. On the display, the user can see the information about his present location in the menu structure and the item displayed.

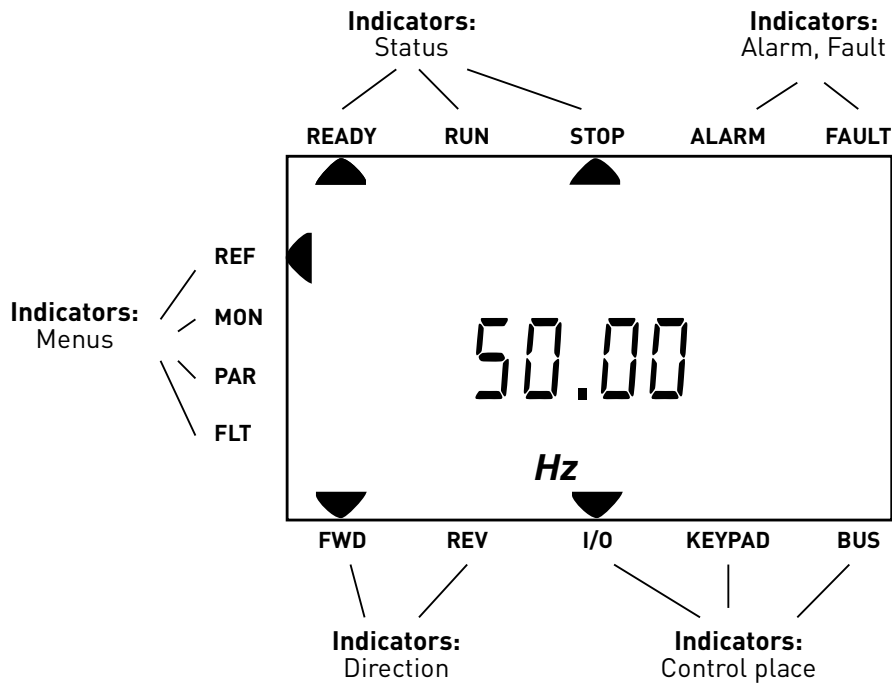


Figure 34. Keypad display.

### 8.3 MENU STRUCTURE

The data on the control keypad are arranged in menus. Use the Up and Down arrows to move between the menus. Enter the group/item by pressing the OK button and return to the former level by pressing the Back/Reset button. The arrows on the left of the display show the active menu. In Figure 34 the REF menu is active. The table below shows the structure of the main menu:

<b>Reference (REF)</b>	Reference from Keypad
<b>Monitor (MON)</b>	Monitoring values
<b>Parameters (PAR)</b>	Application parameters
<b>Fault (FLT)</b>	Active fault
	History fault

Table 31. Keypad menus.

## 8.4 USING THE KEYPAD

### 8.4.1 EDITING VALUES

Change value of a parameter following the procedure below:

1. Locate the parameter.
2. Enter the Edit mode by pressing OK.
3. Set new value with the arrow buttons up/down. You can also move from digit to digit with the arrow buttons left/right if the value is numerical and change then the value with the arrow buttons up/down.
4. Confirm change with OK button or ignore change by returning to previous level with Back/Reset button.

### 8.4.2 RESETTING FAULT

When a fault appears and the drive stops examine the cause of the fault, perform the action advised in the Fault Tracing paragraph and reset the fault by pressing the RESET button.

### 8.4.3 LOCAL/REMOTE CONTROL BUTTON

The LOC/REM button is used for two functions: to quickly access the Control page and to easily change between the Local (Keypad) and Remote control places.

#### Control places

The *control place* is the source of control where the drive can be started and stopped. Every control place has its own parameter for selecting the frequency reference source. In the VACON® 20 CP drive, the *Local control place* is always the keypad. The *Remote control place* is determined by parameter (I/O or Fieldbus). The selected control place can be seen on the status bar of the keypad.

#### Remote control place

I/O and Fieldbus can be used as remote control places.

#### Local control

Keypad is always used as control place while in local control. Local control has higher priority than remote control. Switching between Local and Remote Control can be done by pressing the LOC/REM-button on the keypad.

#### 8.4.4 PARAMETERS

Through this submenu, you can reach the application parameter groups and parameters. More information on parameters in the VACON® 20 CP Application Manual.

#### 8.4.5 FAULTS

Under this menu, you can find *Active faults*, *Reset faults*, *Fault history*, *Counters* and *Software info*.

##### Active faults

Menu	Function	Note
<b>Active faults</b>	When a fault/faults appear(s), the display with the name of the fault starts to blink. Press OK to return to the Diagnostics menu. The <i>Active faults</i> submenu shows the number of faults. Select the fault and push OK to see the fault-time data.	The fault remains active until it is cleared with the RESET button or with a reset signal from the I/O terminal or fieldbus or by choosing <i>Reset faults</i> (see below). The memory of active faults can store the maximum of 10 faults in the order of appearance.

##### Fault history

Menu	Function	Note
<b>Fault history</b>	10 latest faults are stored in the Fault history.	Entering the Fault history and clicking OK on the selected fault shows the fault time data (details).

8.5 FAULT TRACING

Fault code	Fault name	Possible cause	Remedy
1	Overcurrent	AC drive has detected too high a current ( $>4 \cdot I_{M}$ ) in the motor cable: <ul style="list-style-type: none"> <li>sudden heavy load increase</li> <li>short circuit in motor cables</li> <li>unsuitable motor</li> </ul>	Check loading. Check motor. Check cables and connections. Make identification run. Check ramp times.
2	Overvoltage	The DC-link voltage has exceeded the limits defined. <ul style="list-style-type: none"> <li>too short a deceleration time</li> <li>brake chopper is disabled</li> <li>high overvoltage spikes in supply</li> <li>Start/Stop sequence too fast</li> </ul>	Make deceleration time longer. Use brake chopper or brake resistor (available as options). Activate overvoltage controller. Check input voltage.
3	Earth fault	Current measurement has detected that the sum of motor phase current is not zero. <ul style="list-style-type: none"> <li>insulation failure in cables or motor</li> </ul>	Check motor cables and motor.
8	System fault	Component fault Malfunction	Reset the fault and restart. Should the fault re-occur, contact the distributor near to you.
9	Undervoltage	DC-link voltage is under the voltage limits defined. <ul style="list-style-type: none"> <li>most probable cause: too low a supply voltage</li> <li>AC drive internal fault</li> <li>defect input fuse</li> <li>external charge switch not closed</li> </ul> <p><b>NOTE!</b> This fault is activated only if the drive is in Run state.</p>	In case of temporary supply voltage break reset the fault and restart the AC drive. Check the supply voltage. If it is adequate, an internal failure has occurred. Contact the distributor near to you.
13	AC drive under-temperature	Too low temperature measured in power unit's heatsink or board. Heatsink temperature is under $-10^{\circ}\text{C}$ .	Check the ambient temperature.
14	AC drive overtemperature	Too high temperature measured in power unit's heatsink or board. Heatsink temperature is over $100^{\circ}\text{C}$ .	Check the correct amount and flow of cooling air. Check the heatsink for dust. Check the ambient temperature. Make sure that the switching frequency is not too high in relation to ambient temperature and motor load.
15	Motor stalled	Motor is stalled.	Check motor and load.
16	Motor overtemperature	Motor is overloaded.	Decrease motor load. If no motor overload exists, check the temperature model parameters.
17	Motor Underload	Motor is under loaded	Check load.
19	Power overload	Supervision for drive power	Drive power is to high: decrease load.

Table 32. Fault codes and descriptions.

Fault code	Fault name	Possible cause	Remedy
25	Watchdog	Error in the microprocessor monitoring Malfunction Component fault	Reset the fault and restart. If the fault occurs again, please contact your closest Vacon representative.
27	Back EMF	Protection of unit when starting with rotating motor	Reset the fault and restart. Should the fault re-occur, contact the distributor near to you.
30	STO fault	Safe torque off signal does not allow drive to be set as ready	Reset the fault and restart. Should the fault re-occur, contact the distributor near to you.
35	Application error	The application is not working	Please contact your closest Vacon representative.
41	IGBT temp	IGBT temperature (UnitTemperature + I2T) too high	Check loading. Check motor size. Make identification run.
50	4 mA fault (Analog input)	Selected signal range: 4...20 mA (see Application Manual) Current less than 4 mA Signal line broken detached The signal source is faulty	Check the analog input's current source and circuit.
51	External fault	Error message on digital input. The digital input was programmed as an input for external error messages. The input is active.	Check the programming and check the device indicated by the error message. Check the cabling for the respective device as well.
52	Keypad Communication fault	The connection between the control keypad and the frequency converter is broken.	Check keypad connection and keypad cable.
53	Fieldbus communication fault	The data connection between the fieldbus master and fieldbus board is broken	Check installation and fieldbus master.
54	Fieldbus Interface error		

Table 32. Fault codes and descriptions.

### 8.6 OPTION BOARDS

VACON® 20 CP drive family embodies a wide selection of expander boards with which the available I/O resources of VACON® 20 CP frequency converter can be increased and its versatility improved.

There is one board slot (labelled D) on the VACON® 20 CP control unit. To locate the slot, see Chapter 5. Usually, when the AC drive is delivered from the factory, the control unit doesn't include any option board in the board slot.

The following option boards are supported:

Code	Description	Note
OPTB1	Option board with six bidirectional terminals.	With jumper blocks it's possible to use each terminal as digital input or as digital output.
OPTB2	I/O expander board with a thermistor input and two relay outputs.	
OPTB4	I/O expander board with one galvanically isolated analogue input and two galvanically isolated analogue outputs (standard signals 0(4)...20mA).	
OPTB5	I/O expander board with three relay outputs	
OPTB9	I/O expander board with five 42...240 VAC digital inputs and one relay output.	
OPTBF	I/O expander board with analogue output, digital output and relay output.	On the OPTBF board, there is one jumper block for selecting the analogue output mode (mA/V).
OPTBH	Temperature measurement board with three individual channels.	Supported sensors: PT100, PT1000, NI1000, KTY84-130, KTY84-150, KTY84-131
OPTC3	Profibus DP option board	Pluggable connector with screw terminals
OPTC5	Profibus DP option board	9-pin Sub-D terminal
OPTC6	CANopen option board	
OPTC7	DeviceNet option board	
OPTE3	Profibus DP option board	Pluggable connector with screw terminals
OPTE5	Profibus DP option board	9-pin Sub-D terminal
OPTE6	CANopen option board	
OPTE7	DeviceNet option board	

Table 33. Option boards supported in VACON® 20 CP.

See the Option boards User's Manual to use and install the option boards.





## 9. SAFE TORQUE OFF









This chapter describes the Safe Torque Off (STO) function which is a functional safety feature present into VACON® 20 CP drive products as standard.

### 9.1 GENERAL DESCRIPTION

The STO function brings the motor in no-torque-state as defined by 4.2.2.2 of the IEC 61800-5-2: *"Power that can cause rotation (or motion in the case of a linear motor) is not applied to the motor. The Power Drive System (Safety Related) will not provide energy to the motor which can generate torque (or force in the case of a linear motor)."*

Therefore, the STO function is suitable for applications that rely on the immediate removal of power to the actuator, resulting in an uncontrolled coast to stop (activated by an STO demand). **Additional protective measures need to be applied when an application requires a different stopping action.**

### 9.2 WARNINGS

	Designing of safety-related systems require specialist knowledge and skills. Only qualified people are permitted to install and set up the STO function. The use of STO does not itself ensure safety. <b>An overall risk evaluation is required for ensuring that the commissioned system is safe.</b> Safety devices must be correctly incorporated into the entire system which must be designed in compliance with all relevant standards within the field of industry.
	The information in this manual provides guidance on the use of the STO function. This information is in compliance with accepted practice and regulations at the time of writing. However, the end product/system designer is responsible for ensuring that the <b>end-system</b> is safe and in compliance with relevant regulations.
	When a permanent magnet motor is used and in case of a multiple IGBT power semiconductor failure, when the STO option energizes the drive outputs to the off state, the drive system may still provide an alignment torque which maximally rotates the motor shaft by $180^\circ/p$ (where p is the number of poles of the motor) before the torque production ceases.
	Electronic means and contactors are not adequate for protection against electric shock. The Safe Torque Off function does not disconnect the voltage or the mains from the drive. Therefore hazardous voltages may still be present on the motor. If electrical or maintenance work has to be carried out on electrical parts of the drive or the motor, the drive has to be completely isolated from the main supply, e.g. using an external supply disconnecting switch (see EN60204-1 section 5.3).
	This safety function corresponds to an uncontrolled stop in accordance with stop category 0 of IEC 60204-1. The STO function does not comply with Emergency Switching Off according to IEC 60204-1 (no galvanic insulation from the Mains in case the motor is stopped).
	The STO function is not a prevention of unexpected start-up. To fulfil those requirements, additional external components are required according to appropriate standards and application requirements.
	In circumstances where external influences (e.g. falling of suspended loads) are present additional measures (e.g. mechanical brakes) may be necessary to prevent any hazard.
	STO shall not be used as a control for starting or stopping the drive.

### 9.3 STANDARDS

The STO function has been designed for being used in accordance with the following standards:

Standards
IEC 61508, Parts 1-7
EN 61800-5-2
EN 62061
ISO 13849-1
EN 954-1
IEC 60204-1

Table 34. Safety Standards.

The STO function has to be applied correctly to achieve the desired level of operational safety. Four different levels are allowed, depending on the use of the STO signals (see the following table).

STO inputs	STO feedback	Cat.	PL	SIL
Both dynamically used(*)	Used	4	e	3
Both statically used	Used	3	e	3
Connected in parallel	Used	2	d	2
Connected in parallel	Not used	1	c	1

Table 35. Four different STO levels. (\*) see 9.5.1.

The same values are calculated for SIL and SIL CL. According to EN 60204-1, the emergency stop category is 0.

The SIL value for Safety related system, operating in high demand/continuous mode, is related to the probability of dangerous failure per hour (PFH), reported in the following table.

STO inputs	STO feedback	PFH	PFDav	MTTFd	DCavg
Both dynamically used(*)	Used	8.0 E-10 1/h	7.0 E-05	8314a	HIGH
Both statically used	Used	8.1 E-10 1/h	7.1 E-05	8314a	MEDIUM
Connected in parallel	Used	8.1 E-10 1/h	7.1 E-05	8314a	MEDIUM
Connected in parallel	Not used	9.2 E-10 1/h	8.0 E-05	8314a	NONE

Table 36. SIL values. (\*) see 9.5.1.



**The STO inputs must always be supplied by a safety device.**

The power supply of the safety device may be external or taken from the drive (as long as this is compliant with the rating specified for terminal 6).

#### 9.4 THE PRINCIPLE OF STO

The STO functionality, such as the technical principles and data (wiring examples and commissioning) will be described in this chapter.

In VACON® 20 CP, the STO function is realized by preventing the propagation of the control signals to the inverter circuit.

The inverter power stage is disabled through redundant disabling paths which start from the two separated and galvanically isolated STO inputs (S1-G1, S2-G2 in Figure 35). In addition, an isolated output feedback is generated to improve the diagnostics of the STO function and to achieve a better safety capability (F+, F- terminals). The values assumed by the STO output feedback are indicated in the following table:

STO inputs	Operating conditions	STO feedback output	Torque at the motor shaft
Both inputs energized with 24V DC	Normal operation	The feedback must be 0V	present (motor on)
Power removed from both inputs	STO demand	The feedback must be 24V	disabled (motor de-energized)
The STO inputs have different values	Failure in demand or due to internal fault	The feedback must be 0V	disabled (motor de-energized)(*)

Table 37. Values of the STO output feedback (and torque on the motor). (\*) Only one channel is preventing the drive from moving.

The diagram below is a conceptual schematic diagram and is presented to illustrate the safety function with relevant safety components only shown.

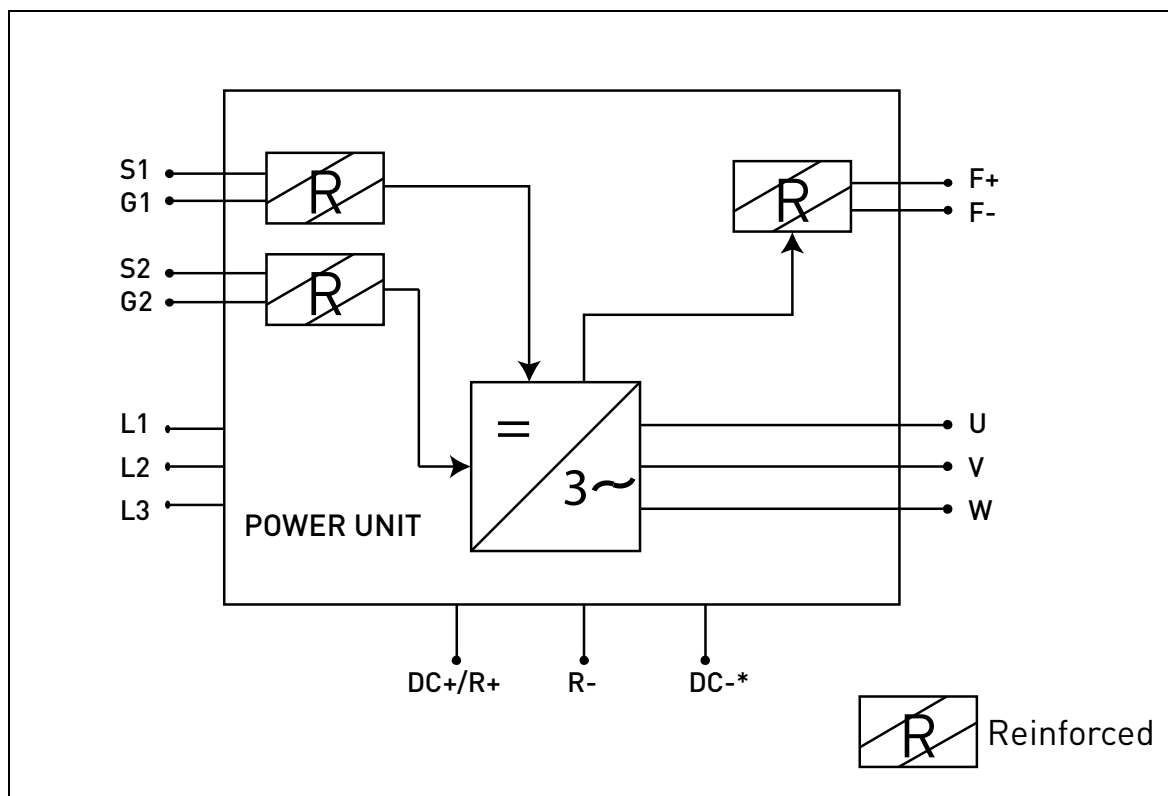


Figure 35. STO function principle. (\*) Only for MS3.

#### 9.4.1 TECHNICAL DETAILS

The STO inputs are digital inputs intended for a nominal 24V d.c. input, positive logic (e.g. enabled when high).

Technical information:	Technical values
Absolute maximum voltage range	24V $\pm$ 20%
Typical input current at 24V	10...15 mA
Logic threshold	according to IEC 61131-2 15V...30V = "1" 0V...5V = "0"
Response time at nominal voltage:	
Reaction time	<20ms

Table 38. Electrical data.

The reaction time of the STO function is the amount of time which passes from the moment in which the STO is demanded till the system is in the Safe State. For VACON<sup>®</sup> 20 CP, the reaction time is 20 ms minimum.

## 9.5 CONNECTIONS

To make the STO function available and ready to be used, both the STO jumpers have to be removed. They have been located in front of the STO terminal to mechanically prevent the insertion of the STO inputs. For the correct configuration, see the following table and the Figure 36.

Signal	Terminal	Technical information	Data
STO1	S1	Insulated digital input 1 (interchangeable polarity)	24V ±20% 10...15 mA
	G1		
STO 2	S2	Insulated digital input 2 (interchangeable polarity)	24V ±20% 10...15 mA
	G2		
STO feedback	F+	Insulated digital output for STO feedback (CAUTION! Polarity must be respected)	24V ±20% 15 mA max.
	F-		GND

Table 39. STO connector and data signals.

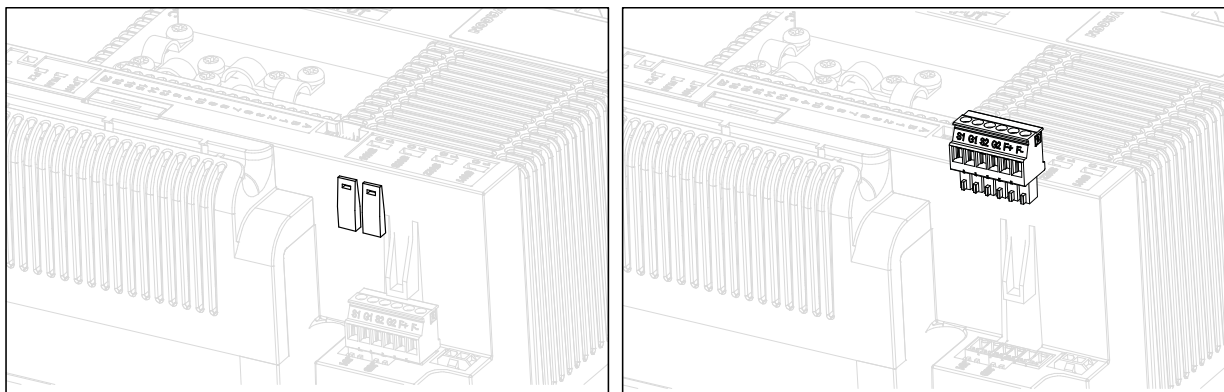


Figure 36. Removing the STO jumpers.

	Make sure that the frequency converter is switched off before cabling.
	When the STO function is used, the drive has to be mounted in an enclosure which fulfils <b>the requirements for IP54</b> .
	Disconnect both the STO jumpers to allow the cabling of the terminals.

The following examples show the basic principles for wiring the STO inputs and the STO output feedback. Local standards and regulations should be always followed in the final design.

9.5.1 SAFETY CAPABILITY CAT. 4 / PL e / SIL 3

For this safety capability, an external safety device must be installed. This must be used to dynamically activate the STO inputs and to monitor the STO output feedback.

The STO inputs are dynamically used when they do not commute together (static use), but according to the following picture (where the inputs are released with delay in turn). The dynamic use of the STO inputs allows detecting faults that may otherwise accumulate.

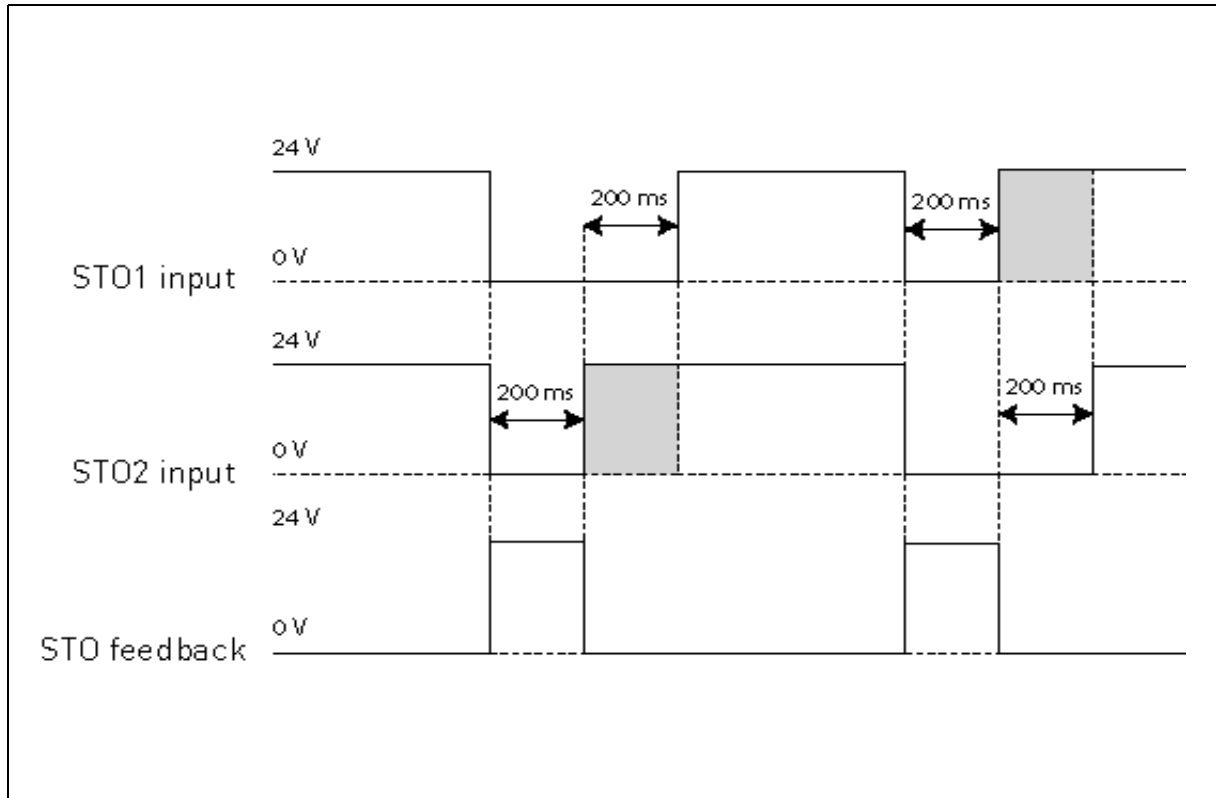


Figure 37.

	<p>An emergency push button connected to the STO inputs does not assure the same quality, because no fault detection is performed at a sufficient proof test interval (once a day is recommended).</p>
	<p>The external safety device, which forces the STO inputs and evaluates the STO output feedback, has to be a <b>safe device</b> and it has to fulfil the requirements of the specific application.</p>
	<p>A simple switch cannot be used in this case!</p>

The picture below shows an example of connection for the STO function. The external device has to be connected with 6 wires to the drive.

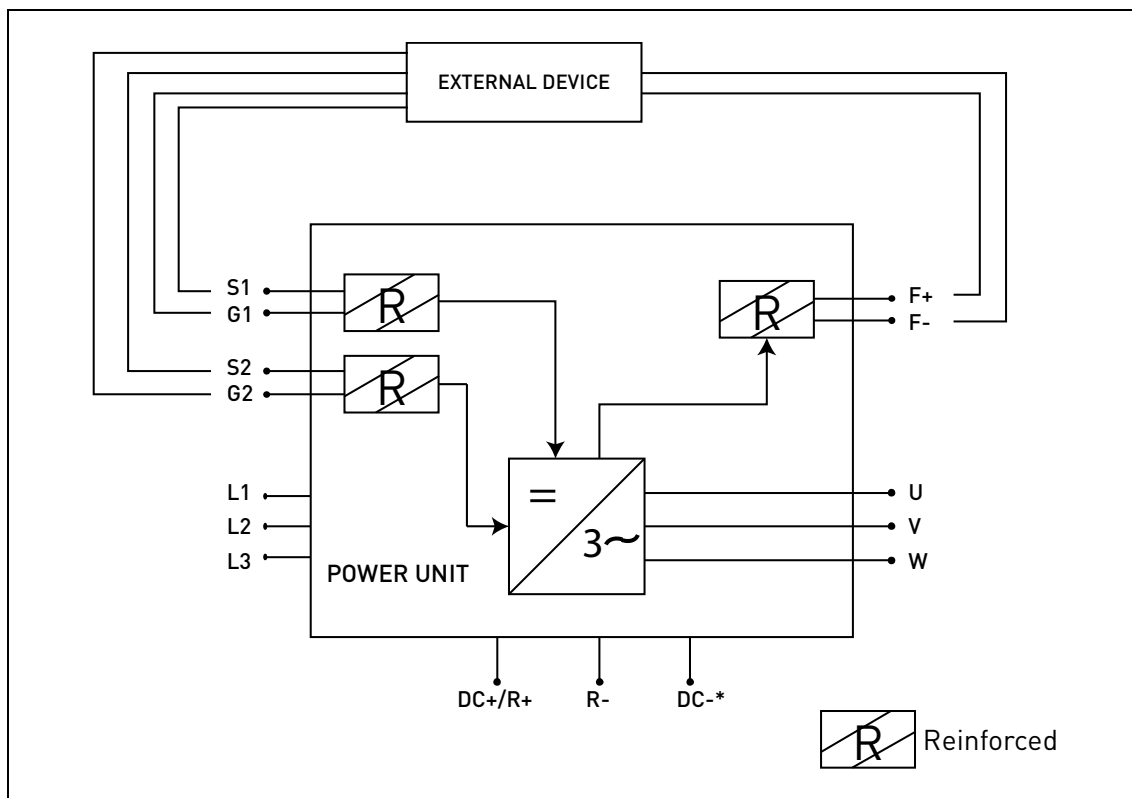


Figure 38. STO example with automatic monitoring of the feedback and both STO inputs used.  
(\* ) Only for MS3.

The external device has to monitor the STO function in accordance with the Table 37. The device has to periodically de-energize the STO inputs and it has to verify that the STO output feedback assumes the expected value.

Any difference between the expected and the real value has to be considered as a failure and has to drive the system into a Safe State. In case of failure, check the wiring. If the fault recognized by the external safety device persists, **the drive will have to be replaced/repaired.**

**9.5.2 SAFETY CAPABILITY CAT. 3 / PL e / SIL 3**

The safety capability is reduced to Cat. 3 / PL e / SIL 3 if the STO inputs are statically used (which means they are forced to commute together).

Both STO inputs and the STO feedback have to be used. The same warnings and cabling instruction of 9.5.1 apply.

**9.5.3 SAFETY CAPABILITY CAT. 2 / PL d / SIL 2**

The safety capability is even more reduced to Cat. 2 / PL d / SIL 2 if the STO inputs are connected in parallel (no redundancy of the STO inputs).

The STO feedback has to be used. The same warnings of 9.5.1 apply. The picture below shows an example of connection for the STO function. The external device has to be connected with 4 wires to the drive.

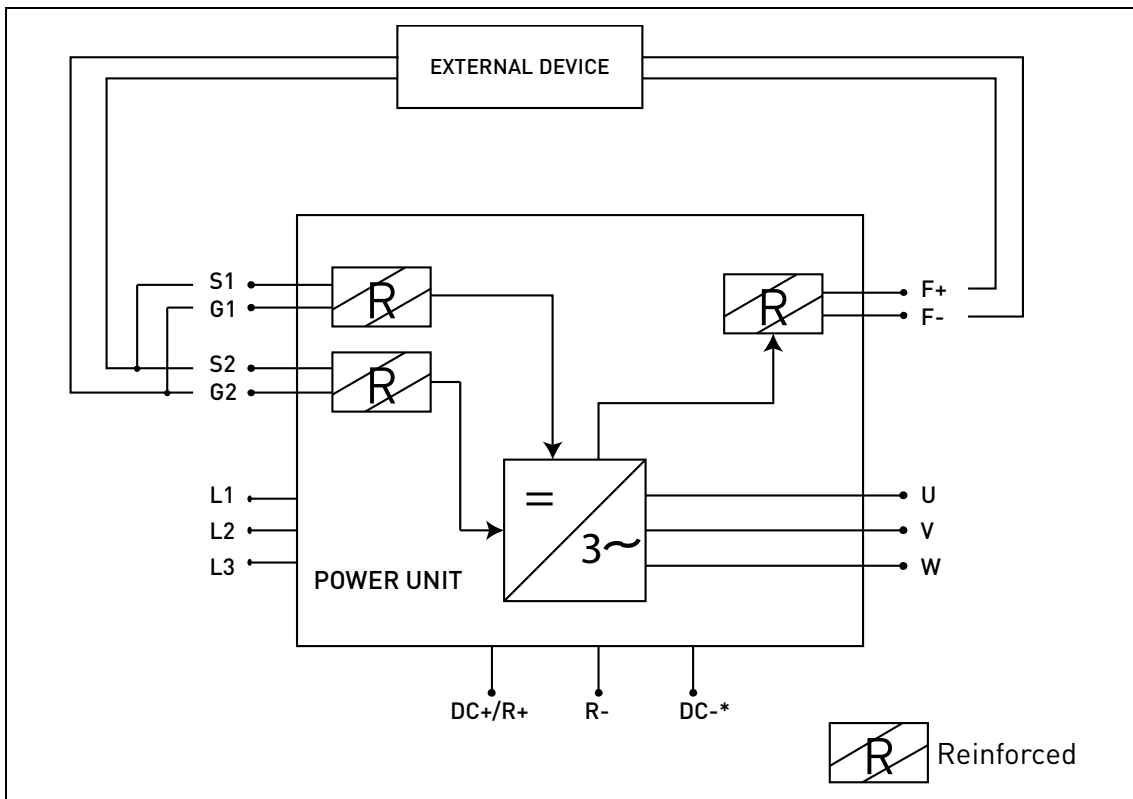





Figure 39. STO Example with automatic monitoring of the feedback and STO inputs connected in parallel. (\*) Only for MS3.



#### 9.5.4 SAFETY CAPABILITY CAT. 1 / PL c / SIL 1

Without any automatic monitoring of STO output feedback, the safety capability is reduced to Cat. 1 / PL c / SIL 1. The STO inputs (which can be connected in parallel) must be supplied by a safety push button or a safety relay.

	The choice of using the STO inputs (without the automatic monitoring of the output feedback) does not permit to achieve the <b>other safety capabilities</b> .
	The standards for functional safety require that functional proof tests are performed on the equipment at user-defined intervals. Therefore, <b>this safety capability</b> can be achieved, as long as the STO function is manually monitored at the proof test interval determined by the specific application (once a month can be acceptable).
	This <b>safety capability</b> can be achieved by connecting in parallel the STO inputs externally and by ignoring the use of the STO output feedback.

The picture below shows an example of connection for the STO function. A switch (a safety push button or a safety relay) may be connected with 2 wires to the drive.

When the contacts of the switch are opened, the STO is demanded, the drive indicates F30 (= "Safe Torque Off") and the motor stops by coasting.

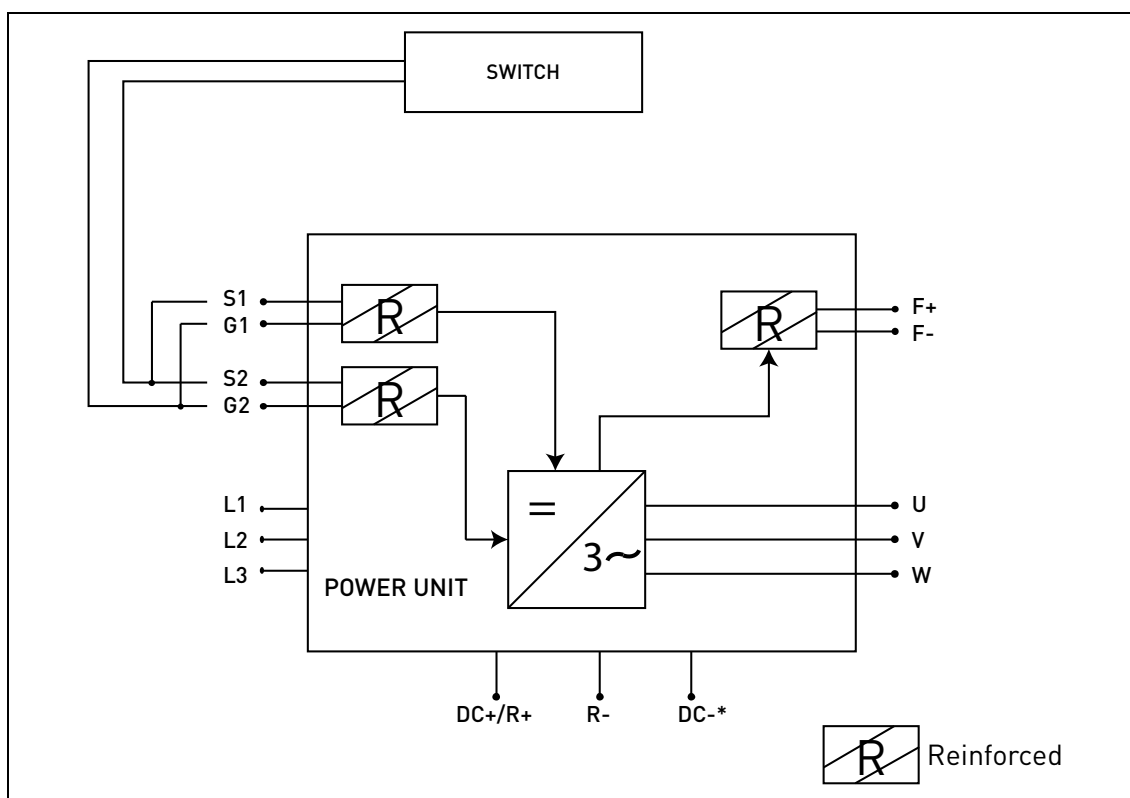




Figure 40. STO example without automatic monitoring of the feedback and STO inputs connected in parallel. (\*)Only for MS3.

## 9.6 COMMISSIONING

### 9.6.1 GENERAL WIRING INSTRUCTIONS

	Protect the STO cabling with a shielding or an enclosure to exclude external fault.
	Wires ferrules are highly recommended for all STO signals (inputs and feedback).

The wiring should be done according to the general wiring instructions for the specific product. A shielded cable is required. In addition, the voltage drop from the supply point to the load shall not exceed 5% [EN 60204-1 part 12.5].

The following table indicates examples of cables to be used.

STO feedback	Cable size
STO feedback automatically monitored by an external safety device	3 x (2 + 1) x 0,5 mm <sup>2</sup> (*)
STO feedback ignored, simply safety device (switch) used	2 x (2 + 1) x 0,5 mm <sup>2</sup>

Table 40. Cable types required to meet the standards. (\*) Additional wires are needed for restarting the drive after each STO demand.

### 9.6.2 CHECKLIST FOR THE COMMISSIONING




Follow the checklist of the table below with the steps required to use the STO function.

<input type="checkbox"/>	Carry out a risk assessment of the system to ensure that the use of the STO function is safe and according to the local regulations
<input type="checkbox"/>	Include in the assessment an examination of whether the use of external devices, such as a mechanical brake, is required.
<input type="checkbox"/>	Check if the switch (if used) has been chosen according to the required safety performance target (SIL/PL/Category) set during the risk evaluation
<input type="checkbox"/>	Check if the external device for automatic monitoring of the STO output feedback (if used) has been chosen in accordance with the specific application
<input type="checkbox"/>	Check if the reset function with the STO function (if used) is edge sensitive.
<input type="checkbox"/>	The shaft of a permanent magnet motor might, in an IGBT fault situation, still provide energy before the torque production ceases. This may result in a jerk of max. 180° electrically. Ensured that the system is designed in such a way that this can be accepted.
<input type="checkbox"/>	Check if the degree of protection of the <b>enclosure is at least IP54.</b>
<input type="checkbox"/>	Check if the recommendations on EMC for cables have been followed.
<input type="checkbox"/>	Check if the system has been designed in such a way that enabling of the drive through STO inputs will not lead to an unexpected start of the drive
<input type="checkbox"/>	Check if only approved units and parts have been used.
<input type="checkbox"/>	Set up a routine to ensure that the functionality of the STO function is being checked at regular intervals.

Table 41. Checklist for the commissioning of STO.

## 9.7 PARAMETERS AND FAULT TRACING



There are no parameters for the STO function itself.

	Before testing the STO function, make sure that the checklist (Table 41) is inspected and completed.
	When STO function awakes, the drive always generates a fault ("F30") and the motor stops by coasting.
	In the application the STO state can be indicated using a digital output.

To re-enable the motor operation, after the STO state, it is necessary to perform the following steps:

- Release the switch or the external device ("F30" is displayed even after this has been released).
- Reset the fault (through a digital input or from the keypad).
- It is possible that a new start command is required for the restart (depending on the application and your further setting).

9.8 MAINTENANCE AND DIAGNOSTICS

	If any service or repair has to be conducted on the drive installed, please inspect the checklist given in Table 41.
	During maintenance breaks, or in case of service/repair, <b>ALWAYS</b> make sure that the STO function is available and fully functional by testing it.

The STO function or the STO input/output terminals do not need any maintenance.

The following table shows faults that may be generated by the software that monitors the hardware related to the STO safety function. If you detect any failure in safety functions, including STO, contact your local Vacon supplier.

Fault Code	Fault	Cause	Correction
30	STO fault	STO inputs in a different state or both de-energized	Check cabling

*Table 42. Fault related to the STO function.*



# VACON<sup>®</sup>

DRIVEN BY DRIVES

Find your nearest Vacon office  
on the Internet at:

[www.vacon.com](http://www.vacon.com)



Manual authoring:  
[documentation@vacon.com](mailto:documentation@vacon.com)

Vacon Plc.  
Runsorintie 7  
65380 Vaasa  
Finland

Subject to change without prior notice  
© 2012 Vacon Plc.

Document ID:



Order code:



Rev. F