

5. Wiring of the Main Circuit

A to B-frame (100 V/200 V Type)

• A to B-frame (100 V/200 V Type)

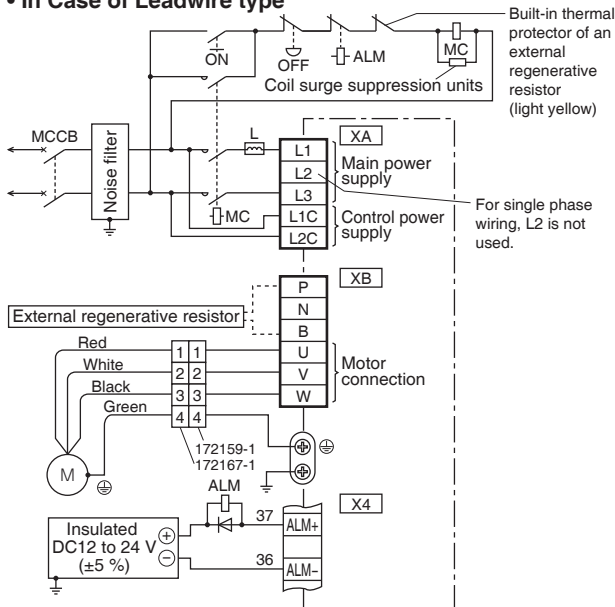
| Name | | Symbol | | Description | | |
|----------------|----|------------------------------------|---------|-----------------------------------------------------------------------------------------------------------------------------------------------------------|-------------------------------------------------------------------------------------------------------------------------------------------------------------------------------------------------------------------------------------------------------------------------------------------------------------------------------|--------------------------------------------------------------------------------------------------------------------------------------------------------------------------------------------------------------|
| | | Connector | Pin No. | | | |
| Connector | XA | Main power input terminal | L1 | 5 | 100 V type: Single phase AC100 to 120 V $\begin{matrix} +10\% \\ -15\% \end{matrix}$ 50/60 Hz input. 200 V type: Single phase/3-phase AC200 to 240 V $\begin{matrix} +10\% \\ -15\% \end{matrix}$ 50/60 Hz input. Use L1 and L3 terminal for single phase input. | |
| | | | L2 | 4 | | |
| | | | L3 | 3 | | |
| | | Control power input terminal | L1C | 2 | | 100 V type: Single phase AC100 to 120 V $\begin{matrix} +10\% \\ -15\% \end{matrix}$ 50/60 Hz input. 200 V type: Single phase AC200 to 240 V $\begin{matrix} +10\% \\ -15\% \end{matrix}$ 50/60 Hz input. |
| | | | L2C | 1 | | |
| | | | | | | |
| | XB | Regen resistor connecting terminal | P | 6 | <ul style="list-style-type: none"> When a trip happens due to a regenerative load protection error, connect an external regenerative resistor (prepared by customer) between P and B. Then, specify the external regenerative resistor for the parameter Pr0.16 to 1 or 2. Do not connect N terminal. | |
| | | | N | 5 | | |
| | | | B | 4 | | |
| | | Motor connecting terminal | U | 3 | | Connect each phase of the motor winding. U: U phase V: V phase W: W phase |
| V | | | 2 | | | |
| W | | | 1 | | | |
| Earth terminal | | | | Earth terminal for grounding. Two terminals are arranged, one of them connect to the ground, and the other is connected with the earth line of the motor. | | |

System Configuration and Wiring

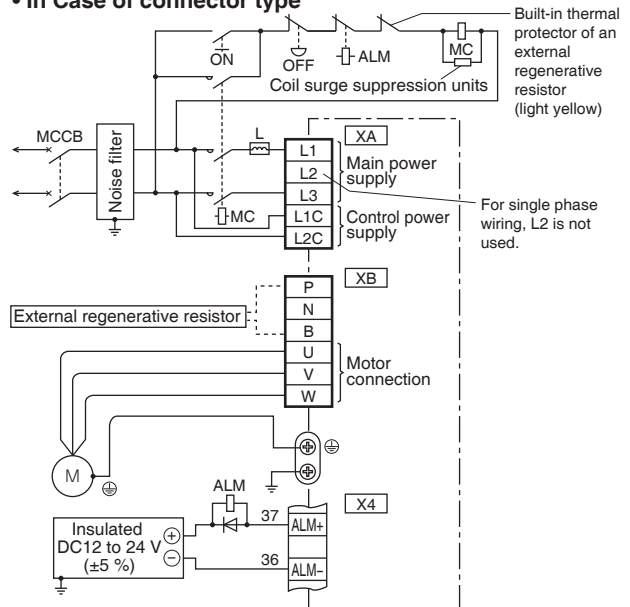
Remarks When the alarm is generated, the main power supply has to be turned off.

Power supply Single phase 100 V/200 V

• In Case of Leadwire type



• In Case of connector type



Note The external regenerative resistor can be built to A, B-frame.

Note The wiring indicated with the broken line shall be provided only when required.

Related page • P.2-40 "Specifications of Motor Connector" • P.2-39 "Wiring method to Driver Connector"