

PROGRAMMABLE CONTROLLER

FP7 CPU Unit

User's Manual

COM port communication

Safety Precautions

Observe the following notices to ensure personal safety or to prevent accidents.
To ensure that you use this product correctly, read this User's Manual thoroughly before use.
Make sure that you fully understand the product and information on safety.
This manual uses two safety flags to indicate different levels of danger.

WARNING

If critical situations that could lead to user's death or serious injury is assumed by mishandling of the product.

- Always take precautions to ensure the overall safety of your system, so that the whole system remains safe in the event of failure of this product or other external factor.
- Do not use this product in areas with inflammable gas. It could lead to an explosion.
- Exposing this product to excessive heat or open flames could cause damage to the lithium battery or other electronic parts.

CAUTION

If critical situations that could lead to user's injury or only property damage is assumed by mishandling of the product.

- To prevent excessive exothermic heat or smoke generation, use this product at the values less than the maximum of the characteristics and performance that are assured in these specifications.
- Do not dismantle or remodel the product. It could cause excessive exothermic heat or smoke generation.
- Do not touch the terminal while turning on electricity. It could lead to an electric shock.
- Use the external devices to function the emergency stop and interlock circuit.
- Connect the wires or connectors securely.
The loose connection could cause excessive exothermic heat or smoke generation.
- Do not allow foreign matters such as liquid, flammable materials, metals to go into the inside of the product. It could cause excessive exothermic heat or smoke generation.
- Do not undertake construction (such as connection and disconnection) while the power supply is on. It could lead to an electric shock.

Copyright / Trademarks

- This manual and its contents are copyrighted.
- You may not copy this manual, in whole or part, without written consent of Panasonic Industrial Devices SUNX Co., Ltd.
- Windows is a registered trademark of Microsoft Corporation in the United States and other countries.
- All other company names and product names are trademarks or registered trademarks of their respective owners.

Introduction

Thank you for buying a Panasonic product. Before you use the product, please carefully read the installation instructions and the users manual, and understand their contents in detail to use the product properly.

Types of Manual

- There are different types of users manual for the FP7 series, as listed below. Please refer to a relevant manual for the unit and purpose of your use.
- The manuals can be downloaded on our website:
http://industrial.panasonic.com/ac/e/dl_center/manual/ .

| Unit name or purpose of use | Manual name | Manual code |
|---|---|---------------|
| FP7 Power Supply Unit | FP7 CPU Unit Users Manual (Hardware) | WUME-FP7CPUH |
| FP7 CPU Unit | | |
| Instructions for Built-in COM Port FP7 Extension (Communication) Cassette | FP7 CPU Unit Users Manual (COM Port Communication) | WUME- FP7COM |
| Instructions for Built-in LAN Port | FP7 CPU Unit Users Manual (LAN Port Communication) | WUME-FP7LAN |
| FP7 Digital Input/Output Unit | FP7 Digital Input/Output Unit Users Manual | WUME-FP7DIO |
| FP7 Analog Input Unit | FP7 Analog Input Unit Users Manual | WUME-FP7AIH |
| FP7 Analog Output Unit | FP7 Analog Output Unit Users Manual | WUME-FP7AOH |
| FP7 Positioning Unit | FP7 Positioning Unit Users Manual | WUME-FP7POSP |
| PHLS System | PHLS System Users Manual | WUME-PHLS |
| Programming Software FPWIN GR7 | FPWIN GR7 Introduction Guidance | WUME-FPWINGR7 |

Table of Contents

| | |
|--|------------|
| 1. Communication Functions of CPU Unit..... | 1-1 |
| 1.1 Communication Ports of CPU Unit..... | 1-2 |
| 1.1.1 Types and Purposes of Communication Ports..... | 1-2 |
| 1.2 Communication Functions Supported by Each Port..... | 1-3 |
| 1.2.1 Applications that can be Used in Each Port..... | 1-3 |
| 1.2.2 Types of Communication Cassette | 1-3 |
| 1.3 Overview of Communication Functions..... | 1-4 |
| 1.3.1 PLC Link Functions (MEWNET-W0)..... | 1-4 |
| 1.3.2 MEWTOCOL Master/Slave Communication..... | 1-5 |
| 1.3.3 MODBUS RTU Master/Slave Communication..... | 1-6 |
| 1.3.4 General-Purpose Communication..... | 1-7 |
| | |
| 2. Wiring the COM. Port..... | 2-1 |
| 2.1 Attaching a Communication Cassette | 2-2 |
| 2.1.1 Attachment Instructions..... | 2-2 |
| 2.2 Wiring of COM Port Terminal Block | 2-3 |
| 2.2.1 Suitable Wires and Tools | 2-3 |
| 2.2.2 Applicable Cable | 2-4 |
| 2.2.3 Wiring Method | 2-5 |
| 2.3 Wiring for CPU Unit (GT Power Supply and COM0 Port) | 2-6 |
| 2.3.1 Handling of GT Power Supply Terminals..... | 2-6 |
| 2.3.2 Terminal Layouts and Examples of Wiring..... | 2-6 |
| 2.4 Wiring for Communication Cassettes COM1 and COM2 ports..... | 2-8 |
| 2.4.1 Communication Cassette AFP7CCS1 (RS-232C, 1-Channel Insulated Type)..... | 2-8 |
| 2.4.2 Communication Cassette AFP7CCS2 (RS-232C, 2-channel insulated type)..... | 2-9 |

| | | |
|-------|--|------|
| 2.4.3 | Communication Cassette AFP7CCM1 (RS-422 / RS-485, 1-Channel Insulated Type) | 2-12 |
| 2.4.4 | Communication Cassette AFP7CCM2 (RS-422 / RS-485, 2-Channel Insulated Type) | 2-15 |
| 2.4.5 | Communication Cassette AFP7CCS1M1 (RS-232C 1-Channel + RS-485 1-Channel Insulated Type)..... | 2-19 |

3. Setting and Confirming Communication Conditions3-1

| | | |
|-------|---|-----|
| 3.1 | Setting Applications and Communication Conditions | 3-2 |
| 3.1.1 | Applications to be Set for Each Port | 3-2 |
| 3.1.2 | Conditions to be Set for Each Port..... | 3-2 |
| 3.1.3 | Settings Using Tool Software FPWIN GR7..... | 3-3 |
| 3.2 | Input/Output Signals Used for Communication..... | 3-4 |
| 3.2.1 | I/O Allocation | 3-4 |

4. PLC Link.....4-1

| | | |
|-------|---|------|
| 4.1 | Operation of PLC link MEWNET-W0 | 4-2 |
| 4.1.1 | Overview of PLC Link Operation..... | 4-2 |
| 4.1.2 | Operation of Link Relays and Link Registers..... | 4-3 |
| 4.2 | Configuration Required for PLC Link | 4-4 |
| 4.2.1 | Setup Procedure | 4-4 |
| 4.2.2 | List of Setting Items..... | 4-5 |
| 4.3 | Setting Items for PLC Link | 4-6 |
| 4.3.1 | Station No. Setting | 4-6 |
| 4.3.2 | Max. Station No. Setting | 4-6 |
| 4.3.3 | Memory Block Numbers for Link Relays and Link Registers to be Used..... | 4-7 |
| 4.3.4 | Range of Use of Link Relays and Range of Use of Link Registers | 4-7 |
| 4.3.5 | Starting No. for Link Relay Send Area and Sending Size..... | 4-8 |
| 4.3.6 | Starting No. for Link Register Send Area and Sending Size | 4-9 |
| 4.4 | PLC Link Response Time | 4-11 |

- 4.4.1 Response Time of 1 Transmission Cycle.....4-11
- 4.4.2 Response Time When There is a Station Yet to be Added4-13

- 5. MEWTOCOL Master/Slave Communication..... 5-1**
 - 5.1 Configuration 5-2
 - 5.1.1 Setting Communication Conditions5-2
 - 5.2 List of MEWTOCOL / MEWTOCOL7 Supporting Commands..... 5-3
 - 5.2.1 List of MEWTOCOL Commands5-3
 - 5.2.2 List of MEWTOCOL7 Commands5-3
 - 5.3 MEWTOCOL-COM Master Communication (RECV) 5-4
 - 5.3.1 Read Data from an External Device.....5-4
 - 5.3.2 RECV Command (When MEWTOCOL-COM is Used).....5-6
 - 5.4 MEWTOCOL-COM Master Communication (SEND) 5-7
 - 5.4.1 Write Data into an External Device5-7
 - 5.4.2 SEND Command (When MEWTOCOL-COM is Used).....5-9

- 6. MODBUS RTU Master/Slave Communication..... 6-1**
 - 6.1 Configuration 6-2
 - 6.1.1 Setting Communication Conditions6-2
 - 6.2 List of MODBUS RTU Supported Commands..... 6-3
 - 6.2.1 List of MODBUS Function Codes.....6-3
 - 6.3 MODBUS RTU Master Communication (RECV)..... 6-4
 - 6.3.1 Read Data from an External Device.....6-4
 - 6.3.2 RECV Command (MODBUS Function Code Specified Type).....6-6
 - 6.3.3 RECV Command (MODBUS Function Code Unspecified Type).....6-7
 - 6.4 MODBUS RTU Master Communication (SEND)..... 6-8
 - 6.4.1 Write Data into an External Device6-8
 - 6.4.2 SEND Command (MODBUS Function Code Specified Type).....6-10
 - 6.4.3 SEND Command (MODBUS Function Code Unspecified Type).....6-11

| | |
|--|------------|
| 7. General-Purpose Communication | 7-1 |
| 7.1 Operation of General-Purpose Communication..... | 7-2 |
| 7.1.1 Read Data from an External Device | 7-2 |
| 7.1.2 Write Data into an External Device | 7-2 |
| 7.2 Configuration | 7-3 |
| 7.2.1 Setting Communication Conditions..... | 7-3 |
| 7.3 Sending Operation..... | 7-4 |
| 7.3.1 Overview of Sending Operation | 7-4 |
| 7.3.2 Contents of Sent Data..... | 7-6 |
| 7.3.3 GPSEND (General-Purpose Communication Sending Command)..... | 7-7 |
| 7.3.4 Precautions on Sending Data | 7-8 |
| 7.4 Receiving Operation | 7-9 |
| 7.4.1 Overview of Receiving Operation..... | 7-9 |
| 7.4.2 Contents of Received Data | 7-11 |
| 7.4.3 Precautions on Receiving Data..... | 7-11 |
| 7.4.4 Operations of the "Reception done copy" flag and multiplex reception | 7-12 |
| 7.4.5 GPRECV (General-Purpose Communication Receiving Command) ... | 7-13 |
| 7.5 Sending/Receiving Flag Operation | 7-14 |
| 7.5.1 No Header (Start Code), Terminator (End Code) "CR": | 7-14 |
| 7.5.2 Start Code "STX", End Code "ETX":..... | 7-15 |
| | |
| 8. Specifications | 8-1 |
| 8.1 Communication Function Specifications..... | 8-2 |
| 8.1.1 CPU Unit Communication Specifications..... | 8-2 |
| 8.1.2 Extension Cassette Communication Specifications..... | 8-4 |
| 8.2 MEWTOCOL-COM Format..... | 8-5 |
| 8.2.1 MEWTOCOL-COM Command Format | 8-5 |
| 8.2.2 MEWTOCOL-COM Response Format..... | 8-7 |

Table of Contents

| | | |
|-------|------------------------------------|------|
| 8.3 | MEWTOCOL7-COM Format | 8-9 |
| 8.3.1 | MEWTOCOL7-COM Command Format | 8-9 |
| 8.3.2 | MEWTOCOL7 Response Format | 8-11 |
| 8.4 | MODBUS RTU Format..... | 8-13 |
| 8.4.1 | MODBUS RTU Command Format | 8-13 |
| 8.4.2 | MODBUS RTU Response Format | 8-14 |

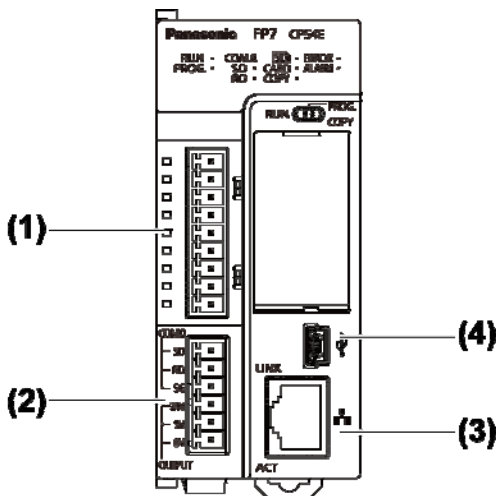
1

Communication Functions of CPU Unit

1.1 Communication Ports of CPU Unit

1.1.1 Types and Purposes of Communication Ports

■ Communication Ports of CPU Unit



■ Functions of Ports

(1) COM1 and COM2 Ports

Attach a separately sold communication cassette to use these ports. You can select from five types of communication cassettes.

(2) COM0 Port, GT power supply terminals

This is an RS-232C port that is equipped to a standard model of CPU unit. It is equipped with power supply terminals (5V DC and 24V DC) to which a GT series display can be connected.

(3) LAN Port

This is equipped to a standard model of CPU unit. It is used for connection to Ethernet.

(4) USB Port

This is equipped to a standard model of CPU unit. This is used when connecting tool software.



◆ REFERENCE

- For details of communication methods using the LAN port, please see the FP7 CPU Unit (LAN Port Communication).

1.2 Communication Functions Supported by Each Port

1.2.1 Applications that can be Used in Each Port

■ Unit type

| Communication port | PLC link | MEWTOCOL7-COM MEWTOCOL-COM | | MODBUS-RTU | | General-purpose communication |
|--------------------|----------|-------------------------------|-------|------------|-------|-------------------------------|
| | | Master | Slave | Master | Slave | |
| COM0 | | ○ (Note 1) | ● | ● | ● | ● |
| COM1 | ● | ○ (Note 1) | ● | ● | ● | ● |
| COM2 | | ○ (Note 1) | ● | ● | ● | ● |

(Note 1) In MEWTOCOL7-COM, there is no master communication function.

1.2.2 Types of Communication Cassette

■ Types of communication cassette

| Model no. | Communication interface | Communication ports that can be allocated | |
|------------|---------------------------|---|-------|
| | | COM.1 | COM.2 |
| AFP7CCS1 | 1-channel RS-232C | ● | |
| AFP7CCS2 | 3-wire 2-channel RS-232C | ● | ● |
| | 5-wire 1-channel RS-232C | ● | |
| AFP7CCM1 | 1-channel RS-422 / RS-485 | ● | |
| AFP7CCM2 | 2-channel RS-422 / RS-485 | ● | ● |
| AFP7CCS1M1 | 1-channel RS-485 | ● | |
| | 3-wire 1-channel RS-232C | | ● |

(Note 1) For AFP7CCS2, select and use either 3-wire 2-channel RS-232C or 5-wire 1-channel RS-232C. Switching should be performed using a switch on the Communication Cassette.

(Note 2) For AFP7CCM1 and AFP7CCM2, select and use either RS-422 or RS-485. Switching should be performed using a switch on the Communication Cassette.

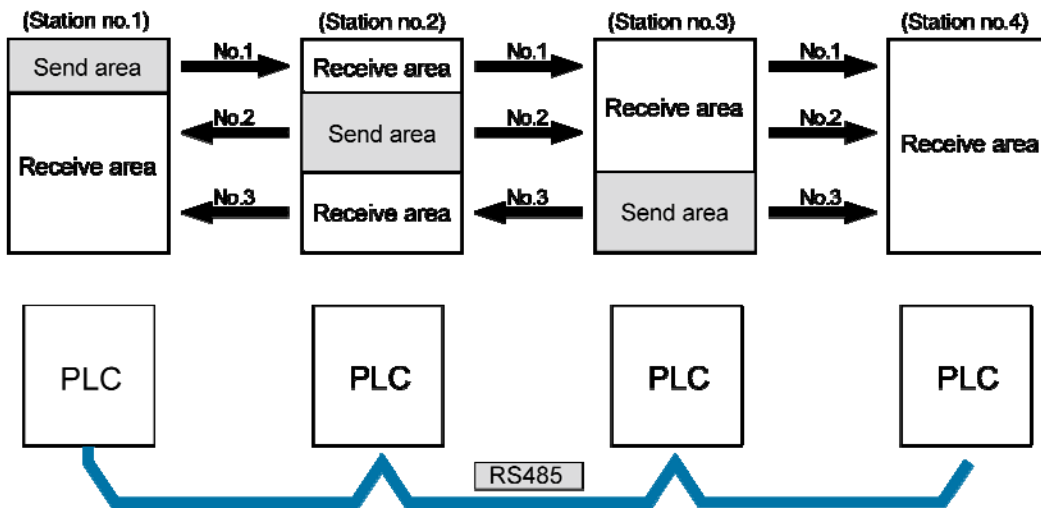
(Note 3) For AFP7CCS1M1, both 1-channel RS-485 and 3-wire 1-channel RS-232C can be used.

1.3 Overview of Communication Functions

1.3.1 PLC Link Functions (MEWNET-W0)

■ Overview of function

- A system can be configured for the PLC link (MEWNET-W0).
- Exclusive internal relays “link relays (L)” and data registers “link registers (LD)” are shared between the connected PLCs.
- Among up to 16 PLCs, data can be exchanged with 1,008 link relay points and 128 link register words.



■ Applications of PLC Link Functions (MEWNET-W0)

Among our FP series PLC, it can be used for link functions with the following models. It is also capable of 1:1 communication via RS-232C port.

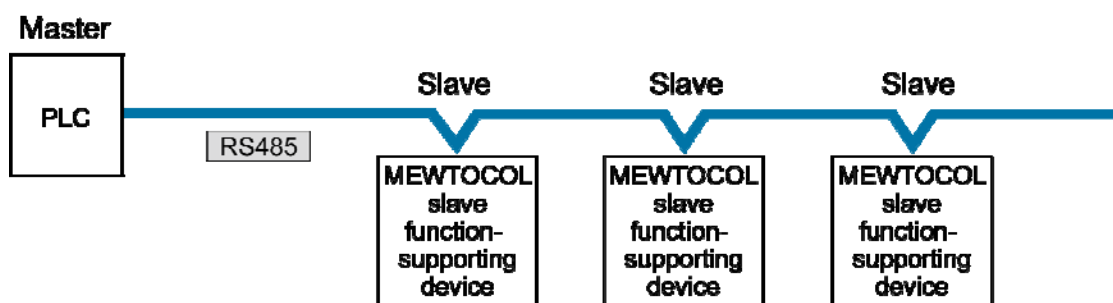
- FP-X0 (L40MR / L60MR)
- FP0R (RS485 type)
- FPΣ (Using Communication cassette RS-485 type)
- FP-X (Using Communication cassette RS-485 type)
- FP2 Multi Communication Unit (Using Communication cassette RS-485 type)

1.3.2 MEWTOCOL Master/Slave Communication

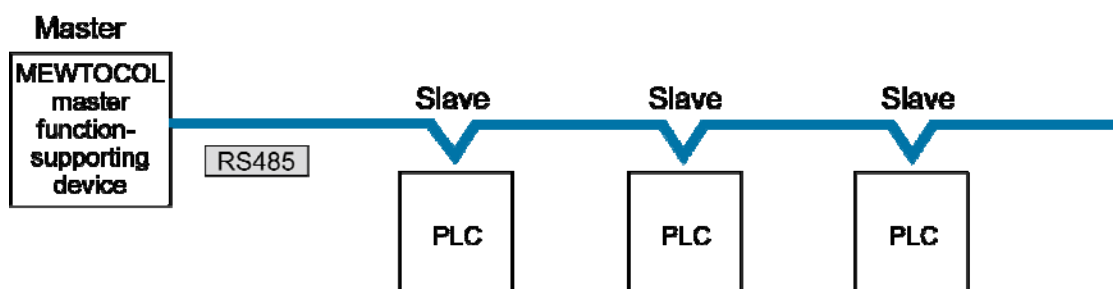
■ Overview of function

- Execute communication using MEWTOCOL-COM, a communication protocol used by our PLC.
- In master communication, PLC executes communication by sending commands to devices that support MEWTOCOL, and receiving responses. Messages in accordance with the protocol are automatically generated by PLC. In the user program, reading and writing can be done simply by specifying the station no. and memory address and executing SEND/RCV commands.
- Slave communication is performed when the computer or display connected to PLC has the sending right, and sends commands, and PLC returns responses. In slave communication, PLC responds automatically, so no program concerning communication is necessary on the PLC side.
- The data size that can be sent or received in a single communication is up to 507 words for register transmission (up to 1,014 words for MEWTOCOL7-COM) and 1 bit for bit transmission.

Master function



Slave function



■ Examples of applications of MEWTOCOL master communication

This is used for connection with a device that supports our PLC's protocol MEWTOCOL.

- Programmable controller FP series
- Displacement sensor HL series
- Eco power meter KW series

■ Examples of applications of MEWTOCOL slave communication

This is used for connection with a device that supports our PLC's protocol MEWTOCOL-COM master communication.

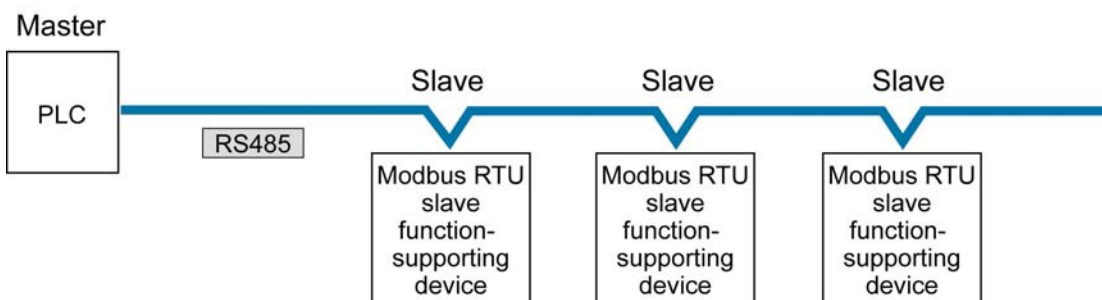
- Programmable displays made by various manufacturers

1.3.3 MODBUS RTU Master/Slave Communication

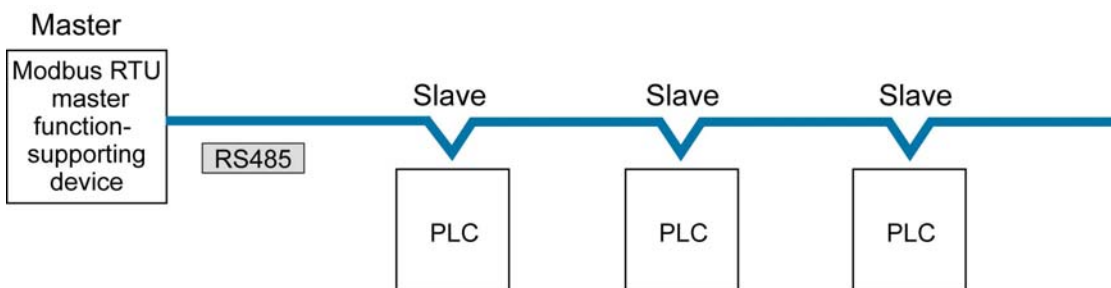
■ Overview of function

- This is used for communicating with other devices that support the MODBUS RTU protocol.
- In master communication, communication is performed when the master unit sends instructions (command messages) to slave units and the slave unit returns responses (response messages) according to the instructions. Messages in accordance with the protocol are automatically generated by PLC. In the user program, reading and writing can be done simply by specifying the station no. and memory address and executing SEND/RCV commands.
- Slave communication is performed when the higher device connected to PLC has the sending right, and sends commands, and PLC returns responses. In slave communication, PLC responds automatically, so no program concerning communication is necessary on the PLC side.
- The data size that can be sent or received in a single communication is up to 127 words for register transmission and 2,040 bit for bit transmission.

Master function



Slave function



■ Examples of applications of MODBUS-RTU master communication

This is used for connection with a device that supports the MODBUS-RTU protocol.

- Thermoregulator KT series
- Devices from other manufacturers that support MODBUS-RTU

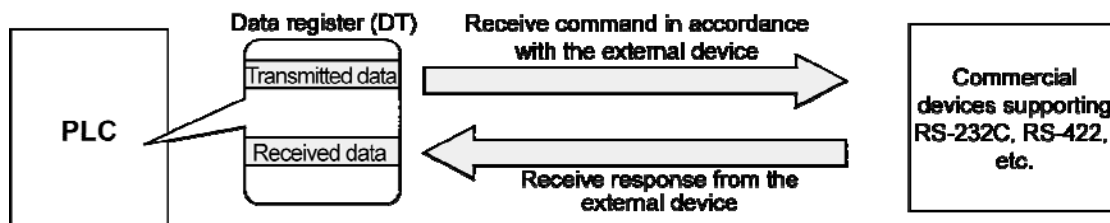
■ Examples of applications of MODBUS-RTU slave communication

This is used when access is made from the higher device using MODBUS-RTU commands.

1.3.4 General-Purpose Communication

■ Overview of function

- General-purpose communication is used when PLC executes communication in accordance with the protocol of the partner device.
- Formulation and sending of command messages to the partner device, and reception processing of responses from the partner device, are performed by the user program. Sending/receiving of data with an external device is executed via given operation memory (e.g. data register).
- Data are sent by converting commands in accordance with the partner device as strings into ASCII text, setting them into a given data register, and executing GPSEND command.
- Response received from the partner device is temporarily saved in the buffer. Based on the reception done flag, GPRECV command is executed. The ASCII strings can be converted into numerical data, etc. as necessary, by the user program.
- The data size that can be sent or received in a single communication is up to 4,096 bytes. (including control codes)



■ Applications of general-purpose communication

This is used for connection with devices made by differing manufacturers that have dedicated communication protocols.

2

Wiring the COM. Port

2.1 Attaching a Communication Cassette

2.1.1 Attachment Instructions

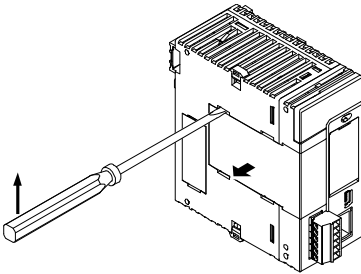
When an optional Communication Cassette is to be used, attach it in the following procedures.



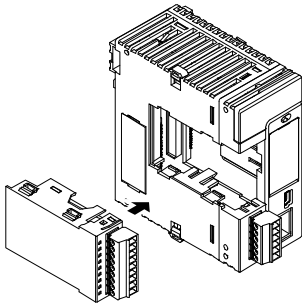
◆ PROCEDURE

1. Using a flathead screwdriver, remove the cover on the side of the CPU unit.

You will find four toggles.



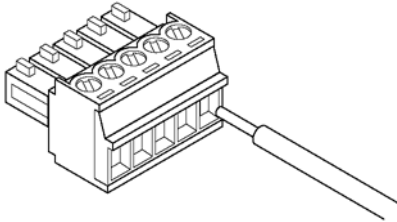
2. Attach a desired Communication Cassette.



2.2 Wiring of COM Port Terminal Block

2.2.1 Suitable Wires and Tools

A screw-down connection type for terminal block is used for the communication port. Use the following items for wiring.



■ Suitable wires (strand wire)

| Size | Nominal cross-sectional area |
|---------------|--|
| AWG #28 to 16 | 0.08 mm ² to 1.25 mm ² |

■ Pole terminal with a compatible insulation sleeve

If a pole terminal is being used, the following models should be used.

| Manufacturer | Cross-sectional area | Size | Part no. | |
|-----------------|----------------------|---------|------------------------|---------------------------|
| | | | With insulating sleeve | Without insulating sleeve |
| Phoenix Contact | 0.25 mm ² | AWG #24 | AI 0.25-6 BU | A 0.25-7 |
| | 0.34 mm ² | AWG #22 | AI 0.34-6 TQ | A 0.34-7 |
| | 0.50 mm ² | AWG #20 | AI 0.5-6 WH | A 0.5-6 |
| | 0.75 mm ² | AWG #18 | AI 0.75-6 GY | A 0.75-6 |
| | 1.00 mm ² | AWG #18 | - | A 1-6 |

■ Pressure welding tool for pole terminals

| Manufacturer | Model no. | |
|-----------------|------------|-------------|
| | Part no. | Product no. |
| Phoenix Contact | CRIMPFOX 6 | 1212034 |

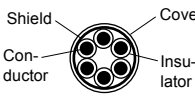
Screwdriver for terminal block

To tighten the terminals, use a screwdriver by Phoenix Contact (model No. SZS 0.4 x 2.5, product No. 1205037, blade size 0.4 x 2.5) or our screwdriver (part No. AFP0806). The tightening torque should be 0.22 to 0.25 N·m.

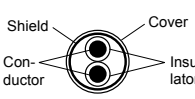
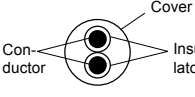
2.2.2 Applicable Cable

Use a cable as prescribed below.

■ Suitable wires (strand wire): For RS-232C / RS-422 communication

| Classification | Cross-sectional view | Conductor | | Insulator | | Cable diam. | Sample appropriate cable |
|---------------------------|---|---------------------------------------|----------------------------|----------------|-------------|----------------|--|
| | | Size | Resistance value (at 20°C) | Material | Thickness | | |
| Shielded multi-core cable |  | 0.3 mm ² (AWG22) or larger | Max. 58.8 Ω/km | Vinyl chloride | Max. 0.3 mm | Approx. 6.6 mm | Onamba Co. Ltd. ONB-D6 × 0.3 mm ² |

■ Suitable wires (strand wire): For RS-485 communication

| Classification | Cross-sectional view | Conductor | | Insulator | | Cable diam. | Sample appropriate cable |
|-----------------------|---|--|----------------------------|---------------------------|-------------|----------------|--|
| | | Size | Resistance value (at 20°C) | Material | Thickness | | |
| Shielded twisted pair |  | 1.25 mm ² (AWG16) or larger | Max. 16.8 Ω/km | Polyethylene | Max. 0.5 mm | Approx. 8.5 mm | Hitachi Cable, Ltd. KPEV-S1.25 mm ² × 1P Belden Inc., 9860 |
| | | 0.5 mm ² (AWG20) or larger | Max. 33.4 Ω/km | Polyethylene | Max. 0.5 mm | Approx. 7.8 mm | Hitachi Cable, Ltd. KPEV-S0.5 mm ² × 1P Belden Inc., 9207 |
| VCTF |  | 0.75 mm ² (AWG18) or larger | Max. 25.1 Ω/km | Poly-chlorinated biphenyl | Max. 0.6 mm | Approx. 6.6 mm | VCTF0.75 mm ² × 2C (JIS) |



◆ NOTES

- Use shielded twisted pair cables.
- Use only one type of transmission cable. Do not mix more than 1 type.
- Twisted pair cables are recommended in noisy environments.
- When using shielded cable with crossover wiring for the RS-485 transmission line, grounded one end.

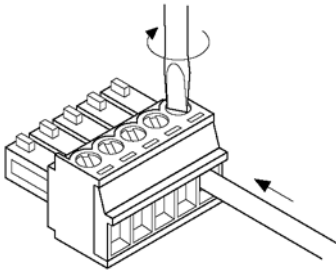
2.2.3 Wiring Method

■ Wiring method

(1) Remove a portion of the wire's insulation.



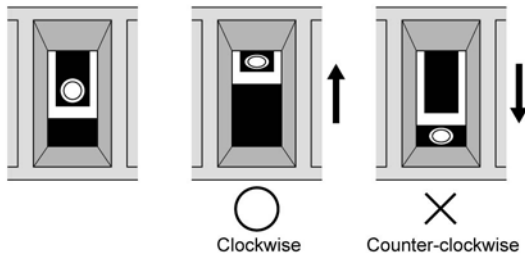
(2) Insert wire into terminal hole until it stops. Tighten screw clockwise to fix wire in place. (The tightening torque: 0.22 to 0.25 N·m (2.3 to 2.5 kgf·cm))



■ Precautions on wiring

The following precautions should be observed, to avoid broken or disconnected wires.

- When removing the wire's insulation, be careful not to scratch the core wire.
- Do not twist the wires to connect them.
- Do not solder the wires to connect them. The solder may break due to vibration.
- After wiring, make sure stress is not applied to the wire.
- In the terminal block socket construction, if the wire is fastened upon counter-clockwise rotation of the screw, the connection is faulty. Disconnect the wire, check the terminal hole, and then re-connect the wire.



2.3 Wiring for CPU Unit (GT Power Supply and COM0 Port)

2.3.1 Handling of GT Power Supply Terminals

- GT power supply terminals can be used as power supply terminals for the GT series of our programmable displays.
- In accordance with the model to be used, use either 5V DC or 24V DC.

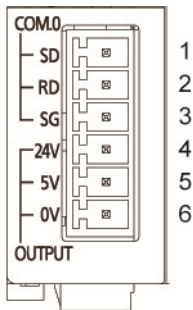


NOTES

- GT power supply terminals (5V DC / 24V DC) are design exclusively for the GT series of our programmable displays. Do not use the terminals for other devices.
- GT power supply terminals and COM0 port (RS-232C) are insulated inside.

2.3.2 Terminal Layouts and Examples of Wiring

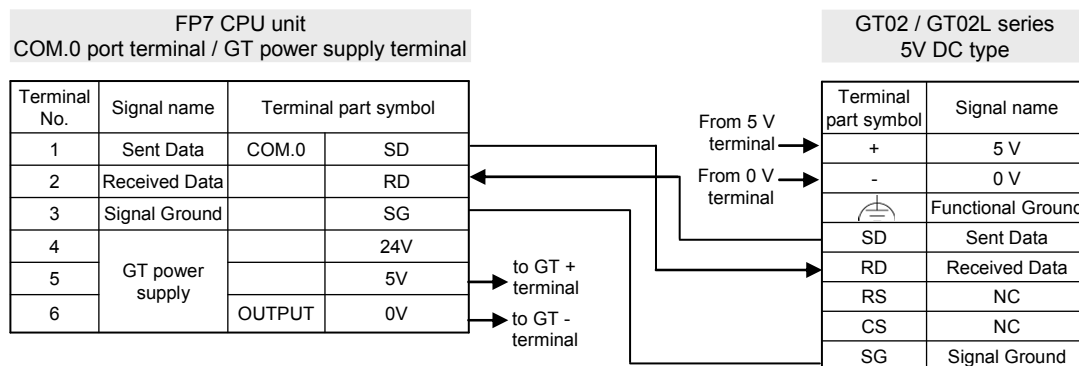
■ Layout for GT power supply terminals and COM0 port terminals



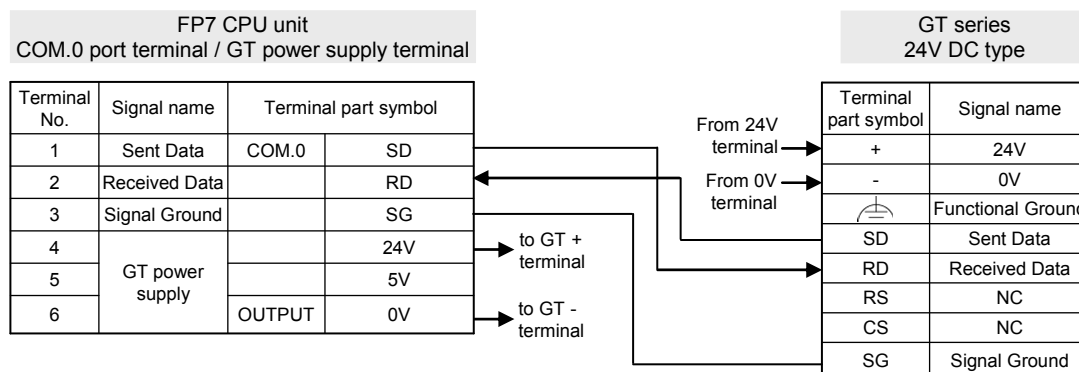
| Terminal no. | Terminal part Symbol | Functions that can be allocated | Signal direction | Ports that can be allocated in the software |
|--------------|----------------------|---------------------------------|--------------------------|---|
| 1 | COM.0 SD | Sent data | PLC → External device | COM.0 |
| 2 | RD | Received data | PLC ← External device | |
| 3 | SG | Signal Ground | - | |
| 4 | OUTPUT 24V | 24V | - | - |
| 5 | 5V | 5V | - | |
| 6 | 0V | 0V | - | |

2.3 Wiring for CPU Unit (GT Power Supply and COM0 Port)

■ Example of wiring (in the case of GT02 5V DC type)



■ Example of wiring (in the case of GT series 24V DC type)



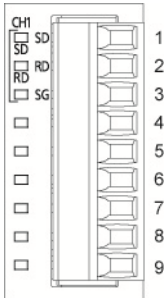
NOTE

- The terminal layout on the display side differs for the existing models GT01 series.

2.4 Wiring for Communication Cassettes COM1 and COM2 ports

2.4.1 Communication Cassette AFP7CCS1 (RS-232C, 1-Channel Insulated Type)

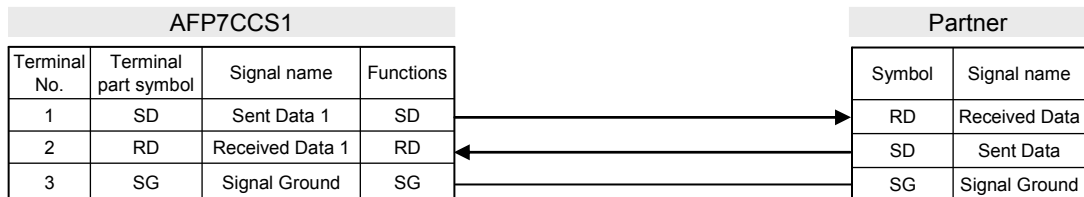
■ Terminal layout



| Terminal no. | LED part Symbol | Terminal part Symbol | Functions that can be allocated | Signal direction | Ports that can be allocated in the software |
|--------------|-----------------|----------------------|---------------------------------|-----------------------|---|
| 1 | CH1 SD | SD | SD: Sent Data | PLC → External device | COM.1 |
| 2 | RD | RD | RD: Received Data | PLC ← External device | |
| 3 | - | SG | SG: Signal Ground | - | |
| 4 - 9 | - | - | - | - | - |

(Note) Do not connect anything to Terminals No.4 through No.9.

■ Example of wiring



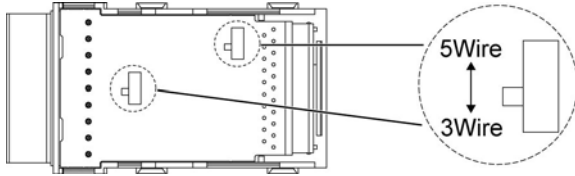
2.4.2 Communication Cassette AFP7CCS2 (RS-232C, 2-channel insulated type)

■ **Setting of Application Switch**

Applications for use can be switched using a switch on the backplane for Communication Cassette AFP7CCS2. Settings can be confirmed with LED lamps at the front of the cassette.

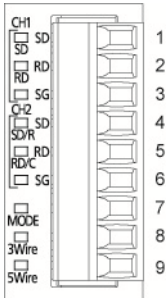
3-wire 2-channel RS-232C

5-wire 1-channel RS-232C (RS/CS controlled)



Wiring the COM. Port

■ Terminal layout (in the setting of 3-wire 2-channel RS-232C)

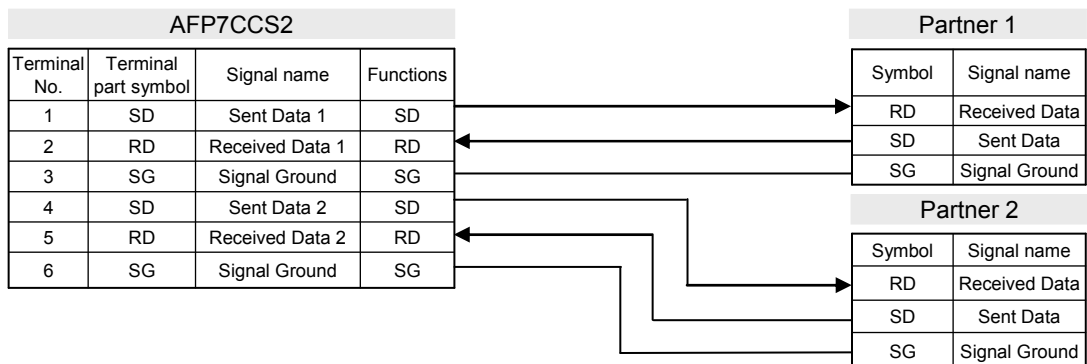


| Terminal no. | LED part Symbol | Terminal part Symbol | Functions that can be allocated | Signal direction | Ports that can be allocated in the software |
|--------------|-----------------|----------------------|---------------------------------|-----------------------|---|
| 1 | CH1 SD | SD | SD: Sent Data | PLC → External device | COM.1 |
| 2 | RD | RD | RD: Received Data | PLC ← External device | |
| 3 | - | SG | SG: Signal Ground | - | |
| 4 | CH2 SD / R | SD | SD: Sent Data | PLC → External device | COM.2 |
| 5 | RD / C | RD | RD: Received Data | PLC ← External device | |
| 6 | - | SG | SG: Signal Ground | - | |
| 7 | MODE | - | - | - | - |
| 8 | 3-Wire | - | - | - | - |
| 9 | 5-Wire | - | - | - | - |

(Note 1) Route between CH1 and CH2 are insulated inside.

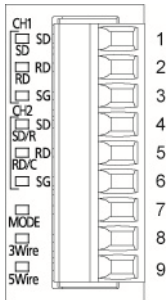
(Note 2) Do not connect anything to Terminals No.7 through No.9.

■ Example of wiring (in the setting of 3-wire 2-channel RS-232C)



2.4 Wiring for Communication Cassettes COM1 and COM2 ports

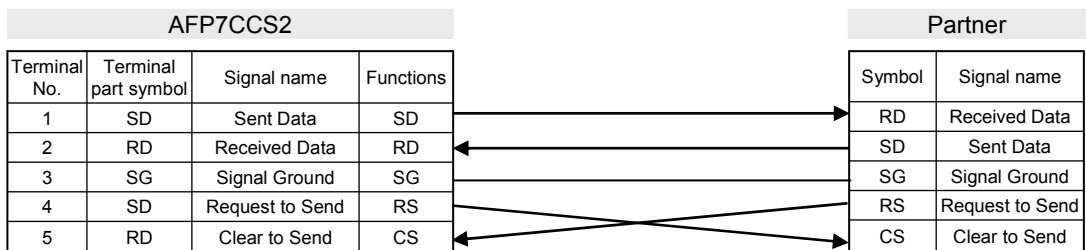
■ Terminal layout (in the setting of 5-wire 1-channel RS-232C RS/CS controlled)



| Terminal no. | LED part Symbol | Terminal part Symbol | Functions that can be allocated | Signal direction | Ports that can be allocated in the software |
|--------------|-----------------|----------------------|---------------------------------|-----------------------|---|
| 1 | CH1 SD | SD | SD: Sent Data | PLC → External device | COM.1 |
| 2 | RD | RD | RD: Received Data | PLC ← External device | |
| 3 | - | SG | SG: Signal Ground | - | |
| 4 | CH2 SD / R | SD | RS: Request to Send | PLC → External device | |
| 5 | RD / C | RD | CS: Clear to Send | PLC ← External device | |
| 6 | - | SG | - | - | - |
| 7 | MODE | - | - | - | - |
| 8 | 3-Wire | - | - | - | - |
| 9 | 5-Wire | - | - | - | - |

(Note) Do not connect anything to Terminals No.6 through No.9.

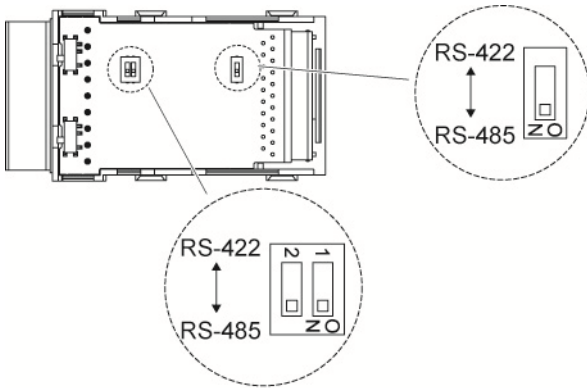
■ Example of wiring (in the setting of 5-wire 1-channel RS-232C RS/CS controlled)



2.4.3 Communication Cassette AFP7CCM1 (RS-422 / RS-485, 1-Channel Insulated Type)

■ Setting of application switch

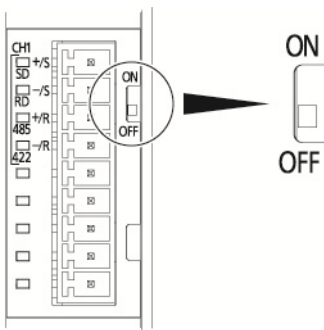
Applications for use can be switched using a switch on the backplane for Communication Cassette AFP7CCM1. Settings can be confirmed with LED lamps at the front of the cassette.



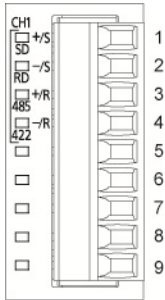
■ Settings for termination resistance selector switch

On the surface of Communication Cassette AFP7CCM2 is located a termination resistance selector switch.

- When RS-422 is used: Turn ON the switch.
- When RS-485 is used: Turn ON the switch only when it is the end unit.



■ Terminal layout (in the setting of RS-485)

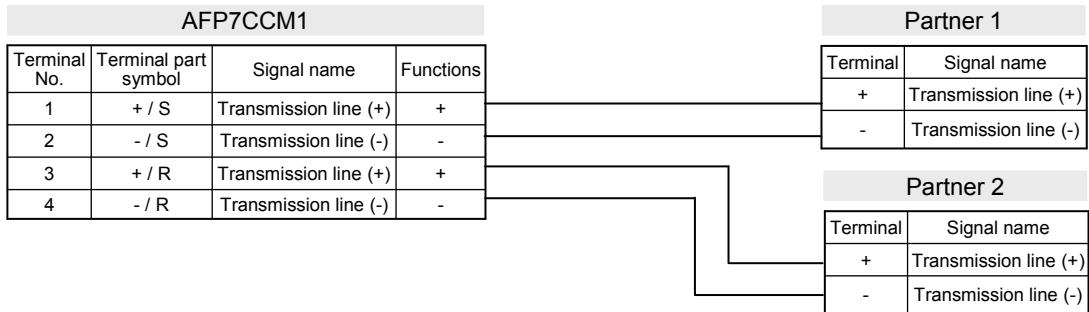


| Terminal no. | LED part Symbol | Terminal part Symbol | Functions that can be allocated | Signal direction | Ports that can be allocated in the software |
|--------------|-----------------|----------------------|---------------------------------|------------------|---|
| 1 | CH1 SD | + / S | Transmission line (+) | - | COM.1 |
| 2 | RD | - / S | Transmission line (-) | - | |
| 3 | 485 | + / R | Transmission line (+) | - | |
| 4 | 422 | - / R | Transmission line (-) | - | |
| 5 - 9 | - | - | - | - | - |

(Note 1) In the setting of RS-485, Terminal No.1 and Terminal No.3, and Terminal No.2 and Terminal No.4 are respectively connected inside. They can be used as terminals for crossover wiring for the transmission cable.

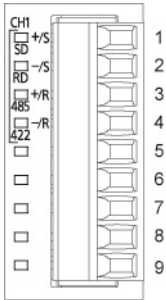
(Note 2) Do not connect anything to Terminals No.5 through No.9.

■ Example of wiring (in the setting of RS-485)



Wiring the COM. Port

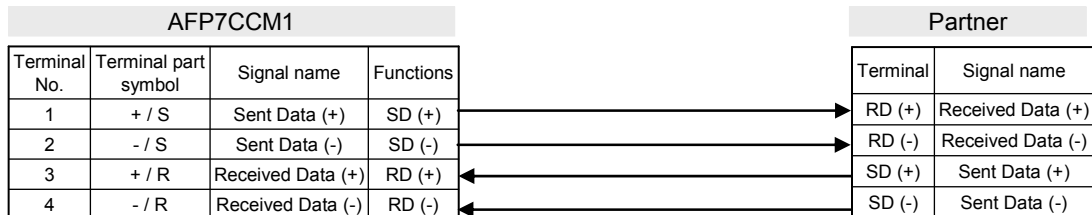
■ Terminal layout (in the setting of RS-422)



| Terminal no. | LED part Symbol | Terminal part Symbol | Functions that can be allocated | Signal direction | Ports that can be allocated in the software |
|--------------|-----------------|----------------------|---------------------------------|--------------------------|---|
| 1 | CH1 SD | + / S | Sent Data (+) | PLC → External device | COM.1 |
| 2 | RD | - / S | Sent Data (-) | PLC → External device | |
| 3 | 485 | + / R | Received Data (+) | PLC ← External device | |
| 4 | 422 | - / R | Received Data (-) | PLC ← External device | |
| 5 - 9 | - | - | - | - | - |

(Note) Do not connect anything to Terminals No.5 through No.9.

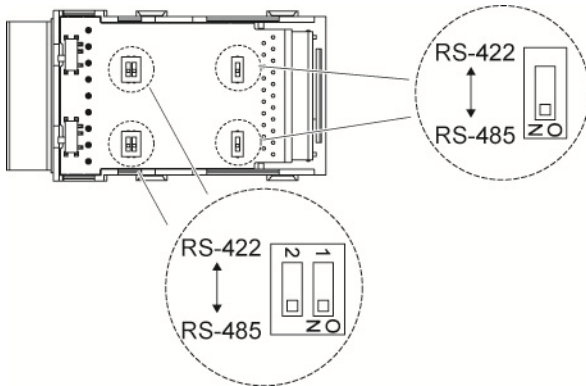
■ Example of wiring (in the setting of RS-422)



2.4.4 Communication Cassette AFP7CCM2 (RS-422 / RS-485, 2-Channel Insulated Type)

■ Setting of application switch

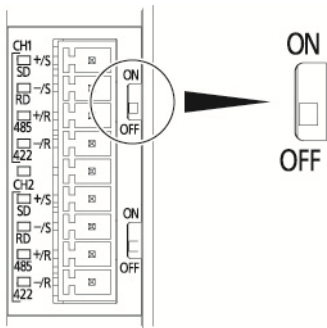
Applications for use can be switched using a switch on the backplane for Communication Cassette AFP7CCM2. Settings can be confirmed with LED lamps at the front of the cassette.



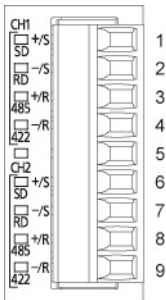
■ Settings for termination resistance selector switch

On the surface of Communication Cassette AFP7CCM2 is located a termination resistance selector switch.

- When RS-422 is used: Turn ON the switch.
- When RS-485 is used: Turn ON the switch only when it is the end unit.



■ Terminal layout (in the setting of RS-485)



| Terminal no. | LED part Symbol | Terminal part Symbol | Functions that can be allocated | Signal direction | Ports that can be allocated in the software |
|--------------|-----------------|----------------------|---------------------------------|------------------|---|
| 1 | CH1 SD | + / S | Transmission line (+) | - | COM.1 |
| 2 | RD | - / S | Transmission line (-) | - | |
| 3 | 485 | + / R | Transmission line (+) | - | |
| 4 | 422 | - / R | Transmission line (-) | - | |
| 5 | - | - | - | - | - |
| 6 | CH2 SD | + / S | Transmission line (+) | - | COM.2 |
| 7 | RD | - / S | Transmission line (-) | - | |
| 8 | 485 | + / R | Transmission line (+) | - | |
| 9 | 422 | - / R | Transmission line (-) | - | |

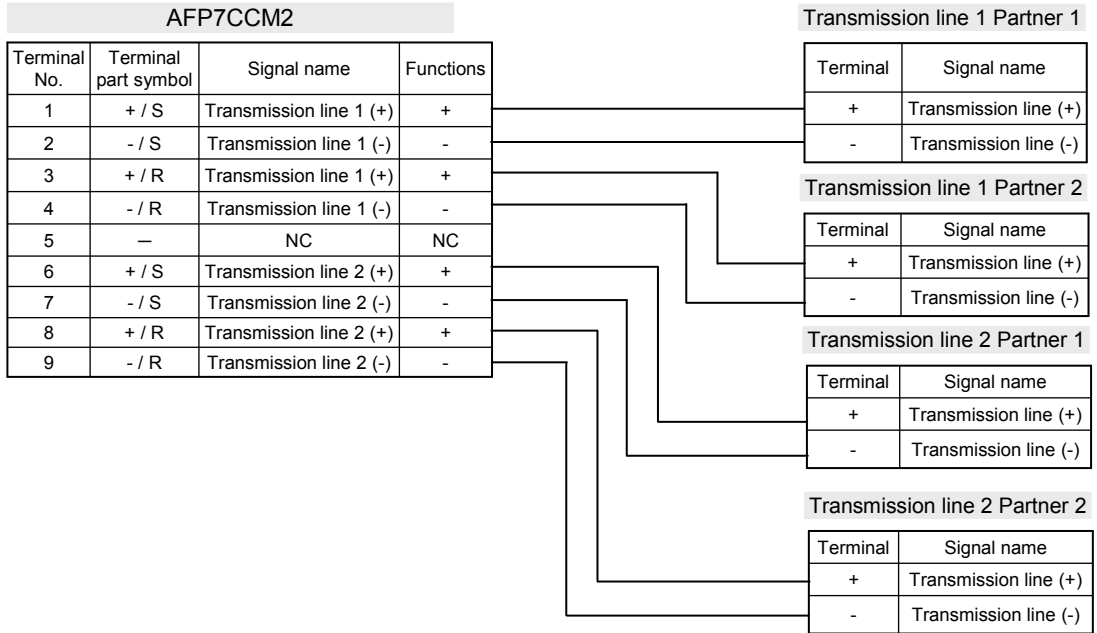
(Note 1) In the setting of RS-485, Terminal No.1 and Terminal No.3, and Terminal No.2 and Terminal No.4 are respectively connected inside. They can be used as terminals for crossover wiring for the transmission cable.

(Note 2) In the setting of RS-485, Terminal No.6 and Terminal No.8, and Terminal No.7 and Terminal No.9 are respectively connected inside. They can be used as terminals for crossover wiring for the transmission cable.

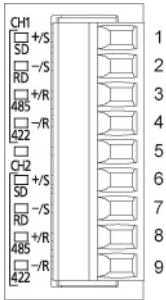
(Note 3) Do not connect anything to Terminal No.5.

(Note 4) Route between CH1 and CH2 are insulated inside.

■ Example of wiring (in the setting of RS-485)



■ Terminal layout (in the setting of RS-422)

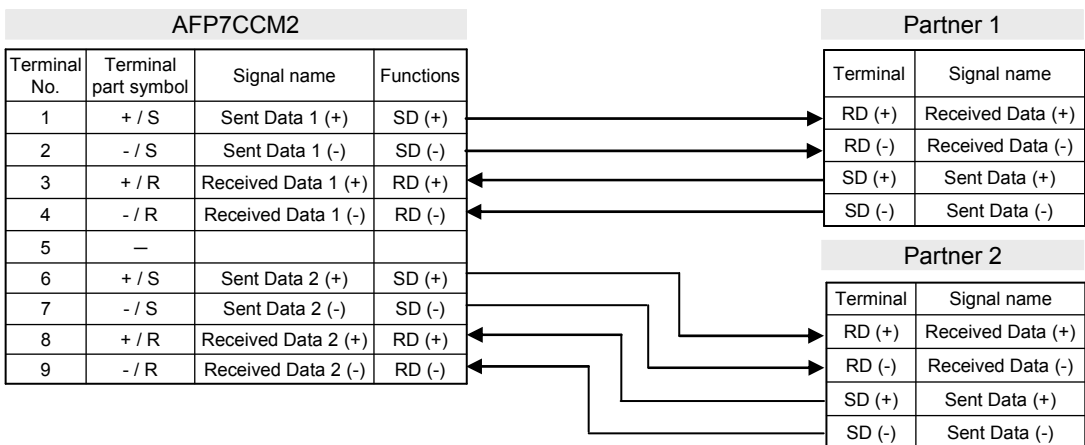


| Terminal no. | LED part Symbol | Terminal part Symbol | Functions that can be allocated | Signal direction | Ports that can be allocated in the software |
|--------------|-----------------|----------------------|---------------------------------|-----------------------|---|
| 1 | CH1 SD | + / S | Sent Data (+) | PLC → External device | COM.1 |
| 2 | RD | - / S | Sent Data (-) | PLC → External device | |
| 3 | 485 | + / R | Received Data (+) | PLC ← External device | |
| 4 | 422 | - / R | Received Data (-) | PLC ← External device | |
| 5 | - | - | - | - | - |
| 6 | CH2 SD | + / S | Sent Data (+) | PLC → External device | COM.2 |
| 7 | RD | - / S | Sent Data (-) | PLC → External device | |
| 8 | 485 | + / R | Received Data (+) | PLC ← External device | |
| 9 | 422 | - / R | Received Data (-) | PLC ← External device | |

(Note 1) Do not connect anything to Terminal No.5.

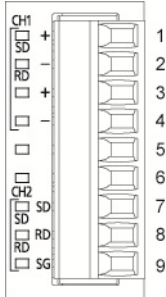
(Note 2) Route between CH1 and CH2 are insulated inside.

■ Example of wiring (in the setting of RS-422)



2.4.5 Communication Cassette AFP7CCS1M1 (RS-232C 1-Channel + RS-485 1-Channel Insulated Type)

■ Terminal layout

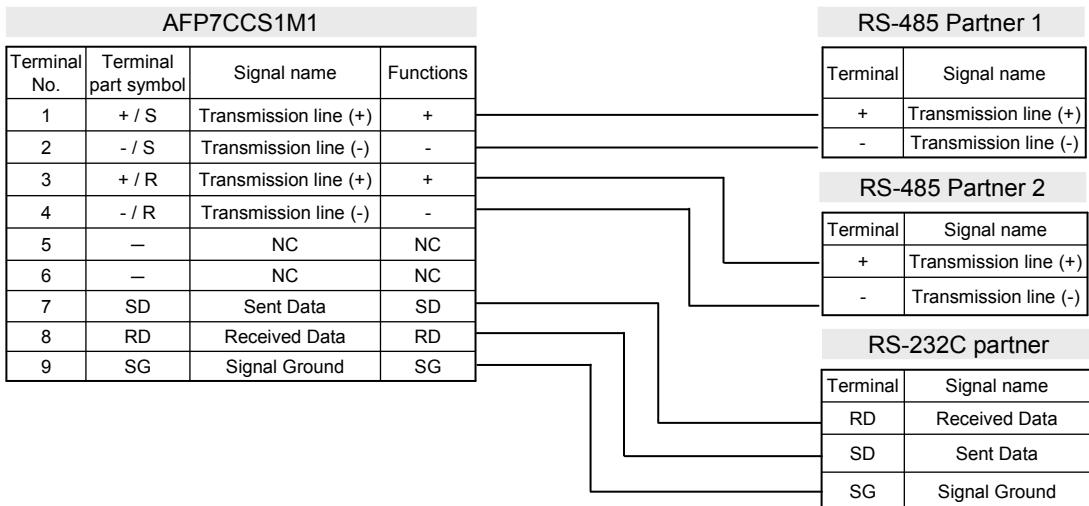


| Terminal no. | LED part Symbol | Terminal part Symbol | Functions that can be allocated | Signal direction | Ports that can be allocated in the software |
|--------------|-----------------|----------------------|---------------------------------|------------------|---|
| 1 | CH1 SD | + | Transmission line (+) | - | COM.1 |
| 2 | RD | - | Transmission line (-) | - | |
| 3 | | + | Transmission line (+) | - | |
| 4 | | - | Transmission line (-) | - | |
| 5 - 6 | - | - | - | - | - |
| 7 | CH2 SD | SD | Sent data | - | COM.2 |
| 8 | RD | RD | Received data | - | |
| 9 | SG | SG | Signal ground | - | |

(Note 1) Terminal No.1 and Terminal No.3, and Terminal No.2 and Terminal No.4 are respectively connected inside.

(Note 2) Do not connect anything to Terminals No.5 and No.6.

■ Example of wiring



3

Setting and Confirming Communication Conditions

3.1 Setting Applications and Communication Conditions

3.1.1 Applications to be Set for Each Port

■ Unit Type

| Communication port | PLC link | MEWTOCOL7-COM MEWTOCOL-COM | | MODBUS-RTU | | General-purpose communication |
|--------------------|----------|-------------------------------|-------|------------|-------|-------------------------------|
| | | Master | Slave | Master | Slave | |
| COM0 | | ○ (Note 1) | ● | ● | ● | ● |
| COM1 | ● | ○ (Note 1) | ● | ● | ● | ● |
| COM2 | | ○ (Note 1) | ● | ● | ● | ● |

(Note 1) In MEWTOCOL7-COM, there is no master communication function.

3.1.2 Conditions to be Set for Each Port

■ Communication condition

| Communication port | | Setting range | Default |
|----------------------|-------------|--|-------------|
| Station no. | | 1 - 99 (MEWTOCOL-COM) 1 - 999 (MEWTOCOL7-COM) 1 - 247 (MODBUS-RTU) | 1 |
| Baud rate | | 300,600,1200,2400,4800,9600,19200,38400,57600,115200,230400 | 9600 |
| Communication format | Data length | 7 bits, 8 bits | 8 bits |
| | Parity | None, Odd, Even | Odd |
| | Stop bit | 1 bit, 2 bits | 1 bit |
| | End code | CR, CR+LF, ETX, or time (0.01 ms – 100 ms, by the unit of 0.01 ms) | CR |
| | Start code | With STX, Without STX | Without STX |
| RS/CS controlled | | No/Yes | Invalid |
| Send Waiting | | 0 to 100 ms | 0 ms |
| Modem initialization | | Invalid, Valid, Re-initialization | Invalid |

(Note) Communication conditions that can be set vary by the mode to be used (PLC link, MEWTOCOL communication, MODBUS-RTU, general-purpose communication).

3.1.3 Settings Using Tool Software FPWIN GR7

Applications and communication conditions for each communication port should be set using the tool software FPWIN GR7.



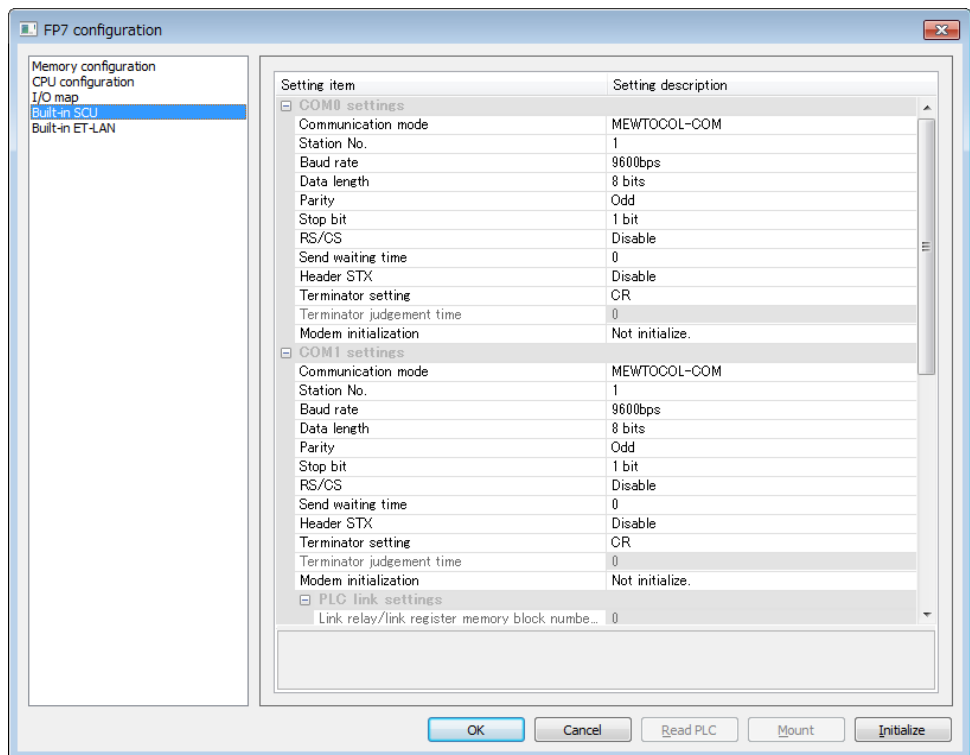
◆ PROCEDURE

1. From the menu bar, select "Option" > "FP7 Configuration".

The "FP7 Configuration" dialog box opens.

2. Select "Built-in SCU".

Setting items for "Built-in SCU" appear.



3. Specify communication conditions and press [OK] button.

Set conditions are incorporated into the project that is being edited.

3.2 Input/Output Signals Used for Communication

3.2.1 I/O Allocation

■ Input signal

| Input signal | Communication port | Name | Description | Effective Operation mode |
|--------------|--------------------|--|---|--|
| X0 | For COM.1 Port | Reception general-purpose communication done flag | When the unit completes the data reception, it turns on (1). Waiting for data reception: 0, Reception completed: 1 | General-purpose communication |
| X1 | For COM.2 Port | | | |
| X2 | For COM.0 Port | | | |
| X3 | - | Not used | Do not use this. | |
| X4 | For COM.1 Port | Reception general-purpose communication done (copy) flag | It turns on (1) if there are copied data when GPRECV command is executed. It turns off (0) when END command is executed. (Note 1) Reading completed: 1 No data to be read: 0 | General-purpose communication |
| X5 | For COM.2 Port | | | |
| X6 | For COM.0 Port | | | |
| X7 | - | Not used | Do not use this. | |
| X8 | For COM.1 Port | Clear to send general-purpose communication flag" | It turns on (1) when the unit is set to the general-purpose communication mode. It turns off (0) in other modes. | General-purpose communication |
| X9 | For COM.2 Port | | | |
| XA | For COM.0 Port | | | |
| XB | - | Not used | Do not use this. | |
| XC | For COM.1 Port | Clear to send master communication flag | It turns on (1) when the unit is set to modes other than the PLC link mode or general-purpose communication mode. It turns off (0) in other modes. | MEWTOCOL MODBUS-RTU |
| XD | For COM.2 Port | | | |
| XE | For COM.0 Port | | | |
| XF | - | Not used | Do not use this. | |
| X10 | For COM.1 Port | Reset done | When the communication channel is reset under the output Y10 - Y12, the flag is turned on (1) once the resetting operation is completed. Resetting done = 1 Y10 - Y12 is OFF: 0 | General-purpose communication |
| X11 | For COM.2 Port | | | |
| X12 | For COM.0 Port | | | |
| X13 | - | Not used | Do not use this. | |
| X14 | For COM.1 Port | CTS signal monitor | Status of the CTS signal sent from the device communicating with. Clear to Send from COM1 Port = 0 Cannot Send from COM1 Port = 1 The RTS signal can be controlled with Y14. | When RS/CS is set to valid in Communication Block COM1 |
| X15 - X1F | - | Not used | Do not use this. | |

(Note1) The general-purpose communication reception done (copy) flag is effective after the execution of the RECV command until one of the following command is executed. This flag does not remain ON across several scans.
Execute 1: END command (scan header), and 2: RECV command

3.2 Input/Output Signals Used for Communication

■ Output signal

| Output signal | Communication port | Name | Description | Valid communication mode |
|---------------|--------------------|--|--|---|
| Y0 | For COM.1 Port | Sending done result | Reports the result of sending in master communication or general-purpose communication. Normal completion: 0, Abnormal completion: 1 | MEWTOCOL MODBUS-RTU General-purpose communication |
| Y1 | For COM.2 Port | | | |
| Y2 | For COM.0 Port | | | |
| Y3 - Y7 | - | Undefined | Do not turn on "undefined". (Default setting is 0.) | |
| Y8 | For COM.1 Port | Sending general-purpose communication flag | It turns on (1) during sending in the general-purpose communication mode. (Note 1) Sending done: 0, Sending: 1 | General-purpose communication |
| Y9 | For COM.2 Port | | | |
| YA | For COM.0 Port | | | |
| YB | - | Undefined | Do not turn on "undefined". (Default setting is 0.) | |
| YC | For COM.1 Port | Sending master communication flag | It turns on (1) during sending in the master communication mode. Sending done: 0, Sending: 1 | MEWTOCOL MODBUS-RTU |
| YD | For COM.2 Port | | | |
| YE | For COM.0 Port | | | |
| YF | - | Undefined | Do not turn on "undefined". (Default setting is 0.) | |
| Y10 | For COM.1 Port | Request to reset CH | By turning on (1) Y10 - Y12, the communication channel can be reset. Without a request to reset = 0, With a request to reset = 1 After ON (1) is output and the completion of the reset is confirmed by X10 - X12, return to OFF (0). The reset is performed only once when this signal rises. This function can be used to delete unnecessary received data or to clear errors before starting normal reception. 1: Sending canceled 2: Reception canceled 3: Re-set communication parameters 4: Clear error information (only for errors that can be cleared) | General-purpose communication |
| Y11 | For COM.2 Port | | | |
| Y12 | For COM.0 Port | | | |
| Y13 | - | Undefined | Do not turn on "undefined". (Default setting is 0.) | |
| Y14 | For COM.1 Port | Output RTS signal | By turning on (1) this output, RTS is controlled. Transmission from the communication partner is permitted = 0 Transmission from the communication partner is prohibited = 1 Monitor the CTS signal from the communication partner with X14. | When RS/CS is set to valid in Communication Cassette COM1 |
| Y15 - Y1F | - | Undefined | Do not turn on "undefined". (Default setting is 0.) | - |

(Note 1) When transmission is completed within one scan, it turns off when the GPSEND command is executed in the subsequent scan.



NOTE

- Each contact in the table above is used for reading the operation status. Do not write over it with a user program. (excluding Y10 - Y12 and Y14)

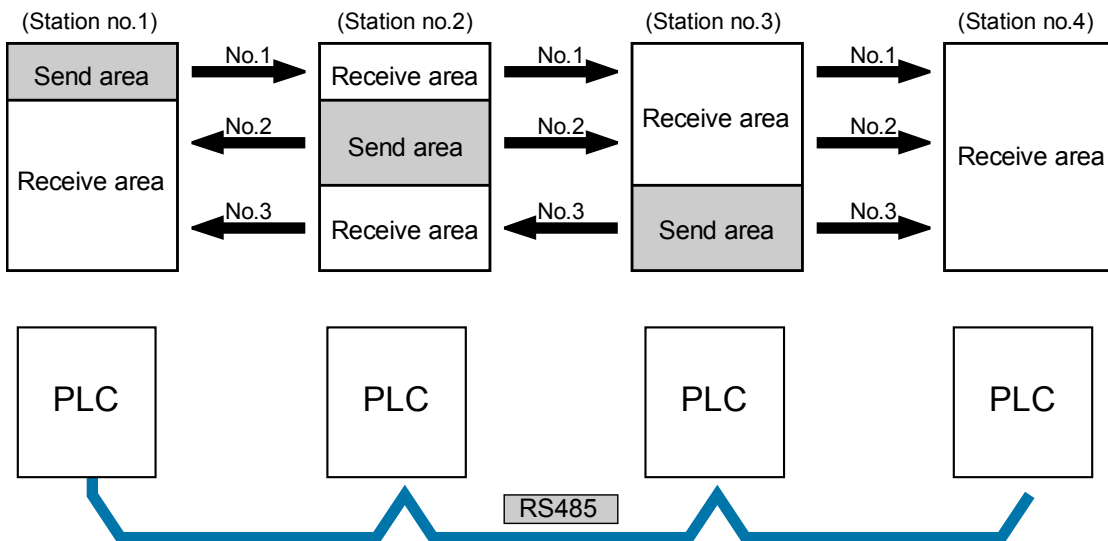
4

PLC Link

4.1 Operation of PLC link MEWNET-W0

4.1.1 Overview of PLC Link Operation

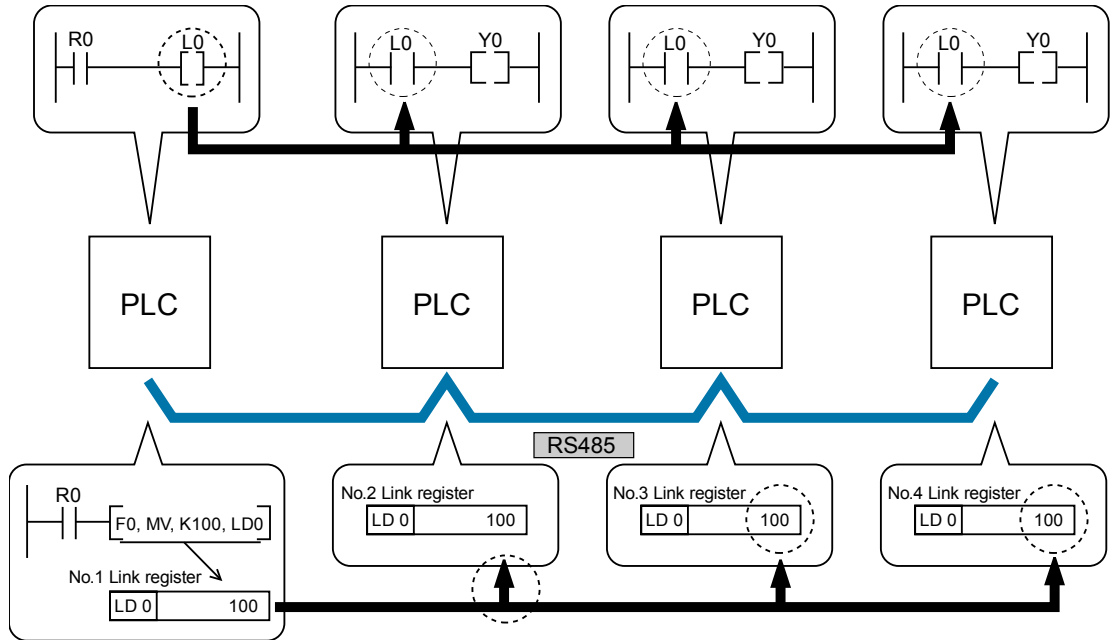
- “Link relays (L)” and data registers “link registers (LD)” are shared between the connected PLCs.
- If the link relay contact for one PLC goes on, the same link relay also goes on in each of the other PLCs connected to the network.
- Likewise, if the contents of a link register are rewritten in one PLC, the change is made in the same link register of each of the other PLCs connected to the network.



4.1.2 Operation of Link Relays and Link Registers

■ Link relay

If the link relay L0 of the source station (No.1) goes on, it is reflected into the ladder programs of the other station, and Y0 is output on it.



■ Link register

If the constant 100 is written into LD0 of the source station no.1, LD0 of the other station no.2 is also changed to the constant 100.

4.2 Configuration Required for PLC Link

4.2.1 Setup Procedure

- In order to use the PLC link function, setting of communication conditions and allocation of memories are required.
- Settings should be performed by the programming tool FPWIN GR7.



◆ PROCEDURE

1. From the menu bar, select "Option" > "FP7 Configuration".

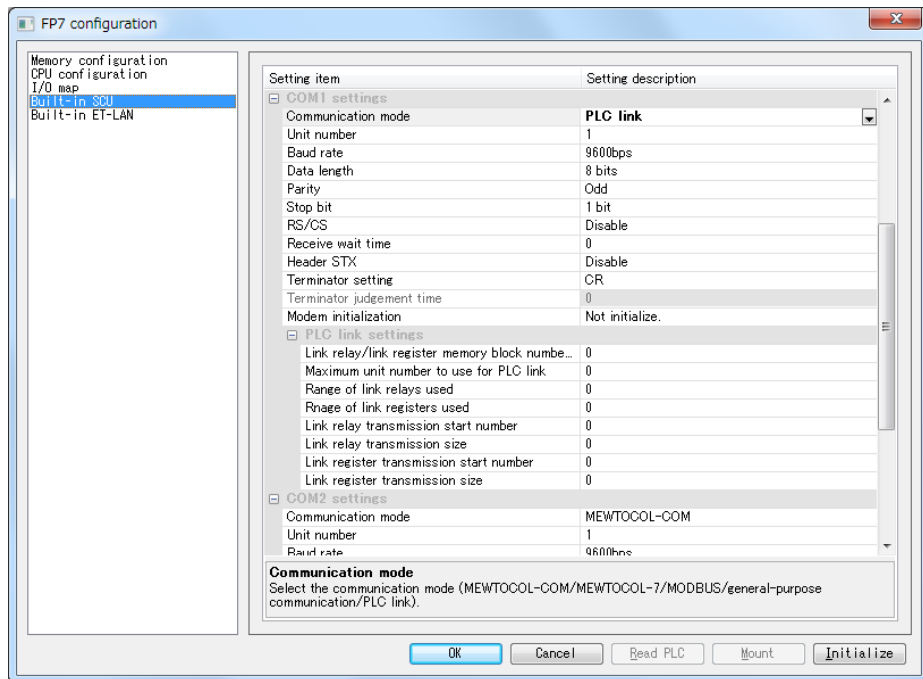
The "FP7 Configuration" dialog box is displayed.

2. From the left pane of the dialog box, select "Built-in SCU Settings".

Setting items for each COM port are displayed.

3. Select "PLC link" from "Communication mode" in setting items under "COM1 settings".

Setting items for PLC link become valid.



4. Specify conditions to be allocated to each setting item for "Station no." and "PLC link settings" under "COM1 settings", and press [OK] button.

The settings are registered in the project.

4.2.2 List of Setting Items

■ List of setting items (COM1 settings)

| Setting items | Settings when the PLC link function is used | Remark |
|--------------------------|---|--|
| Communication mode | PLC link | |
| Station no. | 1 - 16 | Set a specific station no. for PLC to be connected to the PLC link. |
| Baud rate | 115200 bps | |
| Data length | 8 bit | Regardless of settings in FPCWIN GR7, the FP7 CPU unit itself performs automatic settings. |
| Parity | Odd | |
| Stop bit | 1 bit | |
| RS/CS | Invalid | |
| Send waiting time | 0 | |
| Start code STX | Invalid | |
| Terminator setting | CR | |
| Terminator judgment time | 0 | |
| Modem initialization | Do not initialize | |

■ List of setting items (PLC link settings)

| Setting items | Setting range | Setting method |
|--|----------------|--|
| Memory block numbers for link relays and link registers to be used | 0 or 1 | Specify the device No. range for link relays and link registers to be used in a block. |
| Maximum station no. to be used for PLC link | 0 to 16 | Set the Max. station no. for PLC to be connected to the PLC link. |
| Range of link relays used | 0 to 64 words | Specify the device No. range for link relays and link registers to be used. |
| Range of link registers used | 0 to 128 words | |
| Starting no. for link relay send area | 0 to 63 | |
| Size of link relay send area | 0 to 64 words | |
| Starting No. for link register send area | 0 to 127 | |
| Size of link register send area | 0 to 127 words | |



◆ REFERENCE

For details of station no. and PLC link settings, please see explanation on the next page onward.



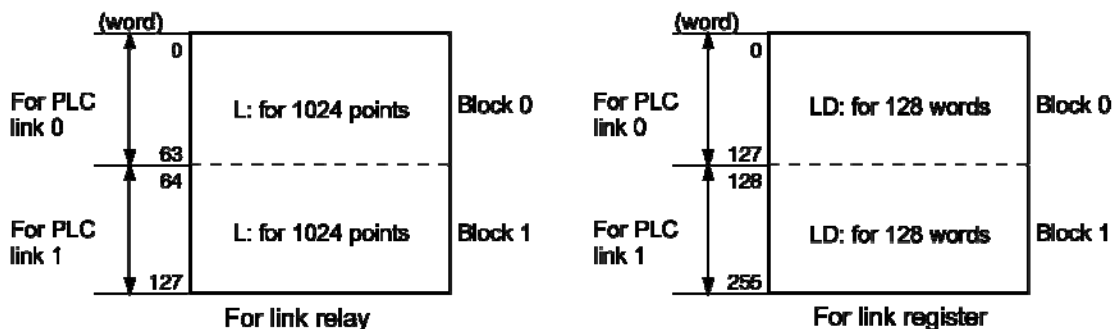
◆ NOTE

- When you want to change the communication mode set in the PLC link to another mode, download the changed project to the CPU unit in FPCWIN GR7, and turn on power to the FP7 CPU unit again.

4.3.3 Memory Block Numbers for Link Relays and Link Registers to be Used

- The memory area of link relays and link registers are divided into the area for PLC link 0 and the area for PLC link 1, which can respectively use up to 1024 link relay points (64 words) and up to 128 link register words.
- Specify "0" when the former memory block is used, and specify "1" when the latter memory block is used.

Configuration of link area

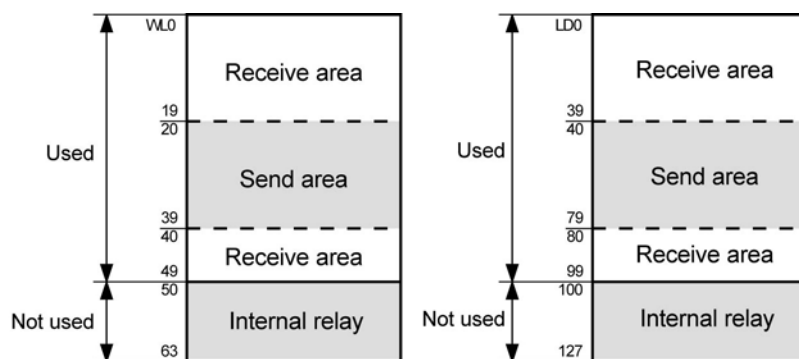


4.3.4 Range of Use of Link Relays and Range of Use of Link Registers

- Specify the memory area range for link relays and link registers to be used.
- Link relays and link registers that do not use the link function can be used in place of internal relays and data registers.

E.g. Examples of setting the range of use (in the case of PLC link 0)

- The figure below indicates a case where the link relay range of use is set to "50" (50 words, WL0 - WL49) and the link register range of use is set to "100" (100 words, LD0 - LD99).

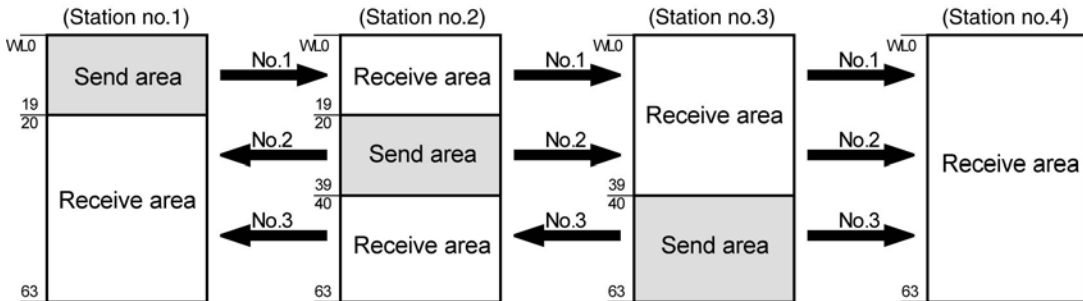


- If all the link relays are used in the PLC link 0 area, set the link relay range of use to "64" (64 words), and all the link register range of use to "128" (128 words).

4.3.5 Starting No. for Link Relay Send Area and Sending Size

- The memory areas for link relays are divided into send areas and receive areas.
- The link relays are transmitted from the send area to the receive area of a different PLC. Link relays with the same numbers as those on the sending side must exist in the receive area on the receiving side.

E.g. Example of setting the starting No. for link relay send area and the sending size (in the case of memory block No.0)



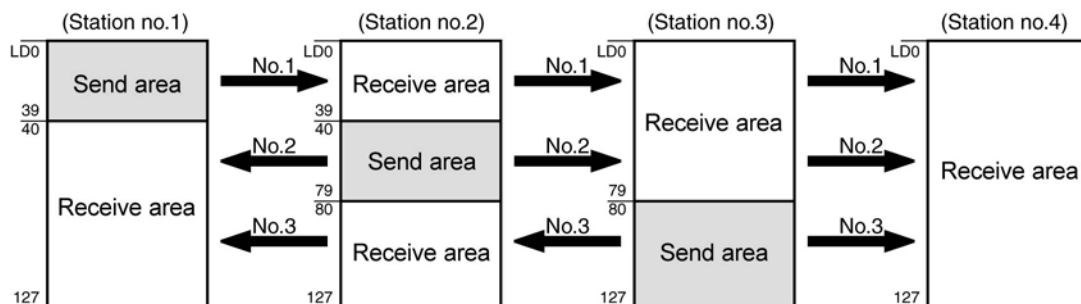
■ List of setting items (PLC link settings)

| Setting items | Setting range | Station no. and setting method | | | |
|--|---------------|--------------------------------|------|------|------|
| | | No.1 | No.2 | No.3 | No.4 |
| Memory block numbers for link relays and link registers to be used | 0 or 1 | 0 | 0 | 0 | 0 |
| Maximum station no. to be used for PLC link | 0 to 16 | 4 | 4 | 4 | 4 |
| Range of link relays used | 0 to 64 words | 64 | 64 | 64 | 64 |
| Starting no. for link relay send area | 0 to 63 | 0 | 20 | 40 | 0 |
| Size of link relay send area | 0 to 64 words | 20 | 20 | 24 | 0 |

4.3.6 Starting No. for Link Register Send Area and Sending Size

- The memory areas for link registers are divided into send areas and receive areas.
- The link registers are sent from the send area to the receive area of a different PLC. Link registers with the same numbers as those on the sending side must exist in the receive area on the receiving side.

E.g. Example of setting the starting No. for link register send area and the sending size (in the case of memory block No.0)



■ List of setting items (PLC link settings)

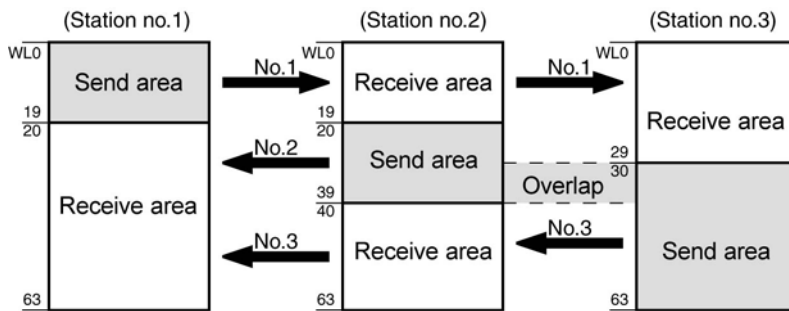
| Setting items | Setting range | Station no. and setting method | | | |
|--|----------------|--------------------------------|------|------|------|
| | | No.1 | No.2 | No.3 | No.4 |
| Memory block numbers for link relays and link registers to be used | 0 or 1 | 0 | 0 | 0 | 0 |
| Maximum station no. to be used for PLC link | 0 to 16 | 4 | 4 | 4 | 4 |
| Range of link registers used for PLC link | 0 to 128 words | 128 | 128 | 128 | 128 |
| Starting No. for link register send area | 0 to 127 | 0 | 40 | 80 | 0 |
| Size of link register send area | 0 to 127 words | 40 | 40 | 48 | 0 |



◆ NOTES

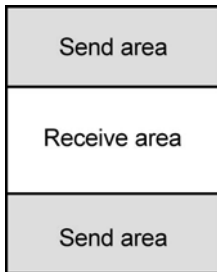
- If a mistake is made when allocating a link area, be aware that an error will result, and communication will be disabled.
- Avoid overlapping send areas.

In the example shown below, there is an area between No. 2 and No. 3 link relays which is overlapped, and this will cause an error, so that communication cannot be carried out.



- The allocations shown below are not possible, neither for link relays nor for link registers.

Send area is split on a single PLC



Send and receive areas are split into multiple segments



4.4 PLC Link Response Time

4.4.1 Response Time of 1 Transmission Cycle

The maximum value for the transmission time (T) of one cycle can be calculated using the following formula.

■ **Calculation formula**

$$T_{\max.} = \underbrace{T_{s1} + T_{s2} + \dots + T_{sn}}_{\textcircled{1} T_s \text{ (transmission time per station)}} + \underbrace{T_{lt} + T_{so} + T_{lk}}_{\substack{\textcircled{2} T_{lt} \text{ (link table sending time)} \\ \textcircled{3} T_{so} \text{ (master station scan time)} \\ \textcircled{4} T_{lk} \text{ (link addition processing time)}}$$

(1) Ts (transmission time per station)

| | |
|----------------------------|--|
| Calculation formula | $T_s = \text{Scan time} + T_{pc}$ (PLC link sending time) |
| | $T_{pc} = T_{tx}$ (sending time per byte) $\times P_{cm}$ (PLC link sending byte size) $T_{tx} = 1 / (\text{transmission speed kbps} \times 1000) \times 11\text{ms}$... Approx. 0.096 ms at 115.2 kbps $P_{cm} = 23 + (\text{number of relay words} + \text{number of register words}) \times 4$ (4 times based on ASCII code) |

(2) Tlt (link table sending time)

| | |
|----------------------------|---|
| Calculation formula | $T_{lt} = T_{tx}$ (sending time per byte) $\times L_{tm}$ (link table sending size) |
| | $T_{tx} = 1 / (\text{transmission speed kbps} \times 1000) \times 11\text{ms}$... Approx. 0.096 ms at 115.2 kbps $L_{tm} = 13 + 2 \times n$ (n = No. of added stations) |

(3) Tso (Master station scan time)

This should be confirmed using the programming tool.

(4) Tlk (link addition processing time)

| | |
|----------------------------|---|
| Calculation formula | When there is no station that is yet to be added to the link, $T_{lk} = 0$ $T_{lk} = T_{lc}$ (link addition command sending time) + T_{wt} (addition waiting time) + T_{ls} (sending time for command to stop transmission if link error occurs) + T_{so} (master station scan time) |
| | $T_{lc} = 10 \times T_{tx}$ (sending time per byte) $T_{tx} = 1 / (\text{transmission speed kbps} \times 1000) \times 11\text{ms}$... Approx. 0.096 ms at 115.2 kbps $T_{wt} = \text{Default value: } 400\text{ms}$ $T_{ls} = 7 \times T_{tx}$ (sending time per byte) $T_{tx} = 1 / (\text{transmission speed kbps} \times 1000) \times 11\text{ms}$... Approx. 0.096 ms at 115.2 kbps $T_{so} = \text{Master station scan time}$ |

■ Example of calculation

| | Condition | Calculation process | Response time of 1 transmission cycle (T) |
|---|--|---|---|
| 1 | 16 units connected to the link; no station yet to be added Where Max. station no. = 16, Relays/registers are equally allocated, and Scan time for each PLC is set at 1 ms: | $T_{tx} = 0.096$ Each Pcm = $23 + (4 + 8) \times 4 = 71$ bytes $T_{pc} = T_{tx} \times P_{cm} = 0.096 \times 71 \approx 6.82$ ms Each $T_s = 1 + 6.82 = 7.82$ ms $T_{lt} = 0.096 \times (13 + 2 \times 16) = 4.32$ ms | $T_{Max.} = T_s + T_{lt} + T_{so}$ $7.82 \times 16 + 4.32 + 1 = 130.44$ ms |
| 2 | 16 units connected to the link; no station yet to be added Where Max. station no. = 16, Relays/registers are equally allocated, and Scan time for each PLC is set at 5 ms: | $T_{tx} = 0.096$ Each Pcm = $23 + (4 + 8) \times 4 = 71$ bytes $T_{pc} = T_{tx} \times P_{cm} = 0.096 \times 71 \approx 6.82$ ms Each $T_s = 5 + 6.82 = 11.82$ ms $T_{lt} = 0.096 \times (13 + 2 \times 16) = 4.32$ ms | $T_{Max.} = T_s + T_{lt} + T_{so}$ $11.82 \times 16 + 4.32 + 5 = 198.44$ ms |
| 3 | 16 units connected to the link; 1 station yet to be added Where Max. station no. = 16, Relays/registers are equally allocated, and Scan time for each PLC is set at 5 ms: | $T_{tx} = 0.096$ Each $T_s = 5 + 6.82 = 11.82$ ms $T_{lt} = 0.096 \times (13 + 2 \times 15) \approx 4.13$ ms $T_{lk} = 0.96 + 400 + 0.67 + 5 \approx 407$ ms Note: Default value for the addition waiting time: 400 ms | $T_{Max.} = T_s + T_{lt} + T_{so} + T_{lk}$ $11.82 \times 15 + 4.13 + 5 + 407 = 593.43$ ms |
| 4 | 8 units connected to the link; no station yet to be added Where Max. station no. = 8, Relays/registers are equally allocated, and Scan time for each PLC is set at 5 ms: | $T_{tx} = 0.096$ Each Pcm = $23 + (8 + 16) \times 4 = 119$ bytes $T_{pc} = T_{tx} \times P_{cm} = 0.096 \times 119 \approx 11.43$ ms Each $T_s = 5 + 11.43 = 16.43$ ms $T_{lt} = 0.096 \times (13 + 2 \times 8) \approx 2.79$ ms | $T_{Max.} = T_s + T_{lt} + T_{so}$ $16.438 \times 2 + 2.79 + 5 = 139.23$ ms |
| 5 | 2 units connected to the link; no station yet to be added Where Max. station no. = 2, Relays/registers are equally allocated, and Scan time for each PLC is set at 5 ms: | $T_{tx} = 0.096$ Each Pcm = $23 + (32 + 64) \times 4 = 407$ bytes $T_{pc} = T_{tx} \times P_{cm} = 0.096 \times 407 \approx 39.072$ ms Each $T_s = 5 + 39.072 = 44.072$ ms $T_{lt} = 0.096 \times (13 + 2 \times 2) \approx 1.632$ ms | $T_{Max.} = T_s + T_{lt} + T_{so}$ $44.072 \times 2 + 1.632 + 5 = 94.776$ ms |
| 6 | 2 units connected to the link; no station yet to be added Where Max. station no. = 2, Where 32 relay points and 2W registers are equally allocated, and scan time for each PLC is set at 1 ms: | $T_{tx} = 0.096$ Each Pcm = $23 + (1 + 1) \times 4 = 31$ bytes $T_{pc} = T_{tx} \times P_{cm} = 0.096 \times 31 \approx 2.976$ ms Each $T_s = 1 + 2.976 = 3.976$ ms $T_{lt} = 0.096 \times (13 + 2 \times 2) \approx 1.632$ ms | $T_{Max.} = T_s + T_{lt} + T_{so}$ $3.976 \times 2 + 1.632 + 1 = 10.584$ ms |

4.4.2 Response Time When There is a Station Yet to be Added

- If there are stations that have not been added to the link, the Tlk time (link addition processing time) increases, and with this the transmission cycle time will be longer.

$$T_{max.} = T_{s1} + T_{s2} + \dots + T_{sn} + T_{lt} + T_{so} + T_{lk}$$

$$T_{lk} = T_{lc} \text{ (link addition command sending time)} + T_{wt} \text{ (addition waiting time)} + \\ T_{ls} \text{ (link error stop command sending time)} + T_{so} \text{ (master station scan time)}$$



NOTE

- “Stations that have not been added (stations yet to be added)” refers to stations between No.1 and the Max. station no. that are not connected, or those that are connected but whose power supply has yet to be turned on.

5

MEWTOCOL Master/Slave Communication

5.1 Configuration

5.1.1 Setting Communication Conditions

■ Configuration

| Setting items | Default | Specification range | Remark |
|--|-------------------|--|--|
| Communication mode | MEWTOCOL-COM | MEWTOCOL-COM MEWTOCOL7-COM | Master communication is not possible using MEWTOCOL7. |
| Station no. | 1 | MEWTOCOL-COM: 0 - 99 MEWTOCOL7-COM: 0 - 999 | Set a specific station no. for PLC to be connected to the PLC link. Set a value that does not overlap with other devices. |
| Baud rate | 9600 bps | 300 / 600 / 1200 / 2400 / 4800 / 9600 / 19200 / 38400 / 57600 / 115200 / 230400 | Set the baud rate to match that of devices to be connected. |
| Data length | 8 bits | 8 bits | The setting must be done according to the devices connected. In general, the default values (8-bit length, odd parity, and 1-stop bit) should be used. |
| Parity | Odd | Odd | |
| Stop bit | 1 bit | 1 bit | |
| RS/CS | Invalid | Invalid / Valid | |
| Send waiting time (set value × 0.01 ms) | 0 | 0 - 10000 (0 - 100 ms) | Set this when it is necessary to delay response to the partner device in slave communication. |
| Start code STX | Invalid | - | No need to specify. |
| Terminator setting | CR | - | |
| Terminator judgment time (set value × 0.01 ms) | 0 | - | |
| Modem initialization | Do not initialize | Do not initialize / Initialize while performing settings / Re-initialize while performing settings | Perform settings only when a modem is to be connected. Perform settings for start-up modem initialization. |

(Note 1) In MEWTOCOL communication, the following setting items need not to be specified.
 Start code, terminator setting, terminator judgment time, PLC link setting

5.2 List of MEWTOCOL / MEWTOCOL7 Supporting Commands

5.2.1 List of MEWTOCOL Commands

■ Commands to be used

| Type of instruction | Code | Description |
|--------------------------------------|-------|---|
| Read contact area | RC | Reads ON/OFF status of contact. |
| | (RCS) | - Specifies only one point. |
| | (RCP) | - Specifies multiple contacts. |
| | (RCC) | - Specifies a range in word units. |
| Write contact area | WC | Turns ON or OFF the contact. |
| | (WCS) | - Specifies only one point. |
| | (WCP) | - Specifies multiple contacts. |
| | (WCC) | - Specifies a range in word units. |
| Read data area | RD | Reads the contents of a data area. |
| Write data area | WD | Writes data to a data area. |
| Register or Reset contacts monitored | MC | Registers the contact to be monitored. |
| Register or Reset data monitored | MD | Registers the data to be monitored. |
| Monitoring start | MG | Monitors a registered contact or data using MC and MD. |
| Preset contact area (fill command) | SC | Embeds the area of a specified range in a 16-point on/off pattern. |
| Preset data area (fill command) | SD | Writes the same contents to the data area of a specified range. |
| Read the status of PLC | RT | Reads the specifications of the programmable controller and error codes if an error occurs. |
| Abort | AB | Aborts reception of multiple frame responses before completion. |

(Note) Some devices are not accessible due to format restrictions of MEWTOCOL-COM communication commands.

5.2.2 List of MEWTOCOL7 Commands

■ Commands to be used

| Type of instruction | Code | Description |
|---------------------|------|------------------------------------|
| Read data area | MMRD | Reads the contents of a data area. |
| Write data area | MMWT | Writes data to a data area. |



◆ REFERENCE

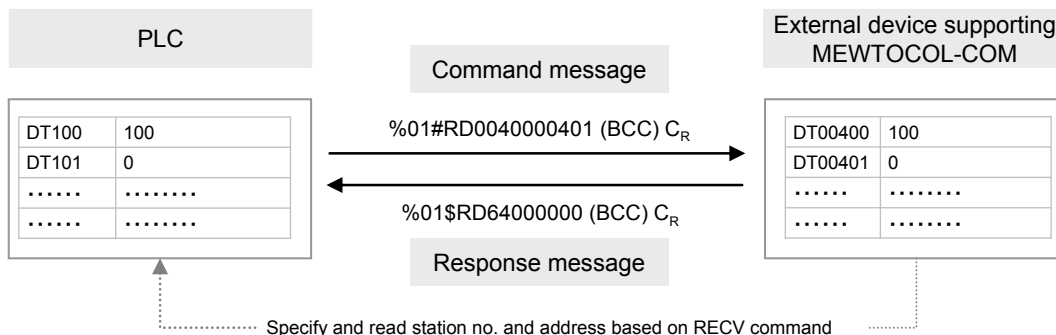
- For details of MEWTOCOL commands, please see 8.2 MEWTOCOL-COM Format and 8.3 MEWTOCOL7-COM Format.

5.3 MEWTOCOL-COM Master Communication (RECV)

5.3.1 Read Data from an External Device

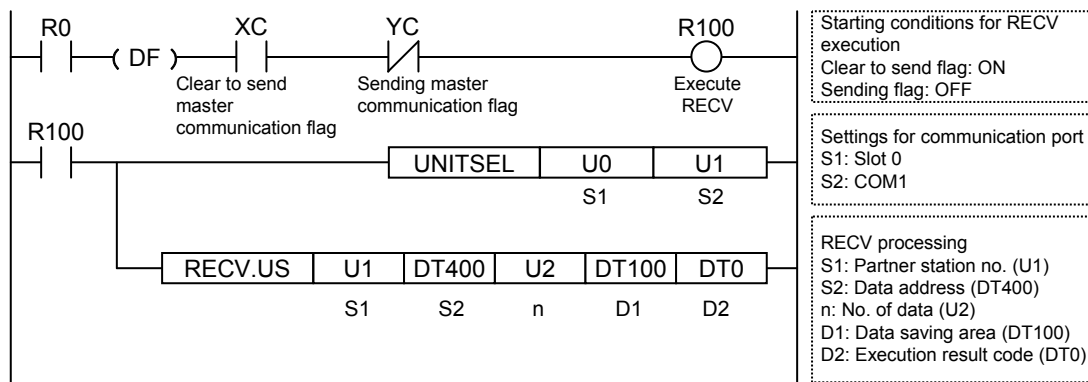
■ Instructions

In master communication, PLC has the sending right, and executes communication by sending commands to devices that support MEWTOCOL, and receiving responses. Messages in accordance with the protocol are automatically generated by PLC. In the user program, reading and writing can be done simply by specifying the station no. and memory address and executing SEND/RECV commands.

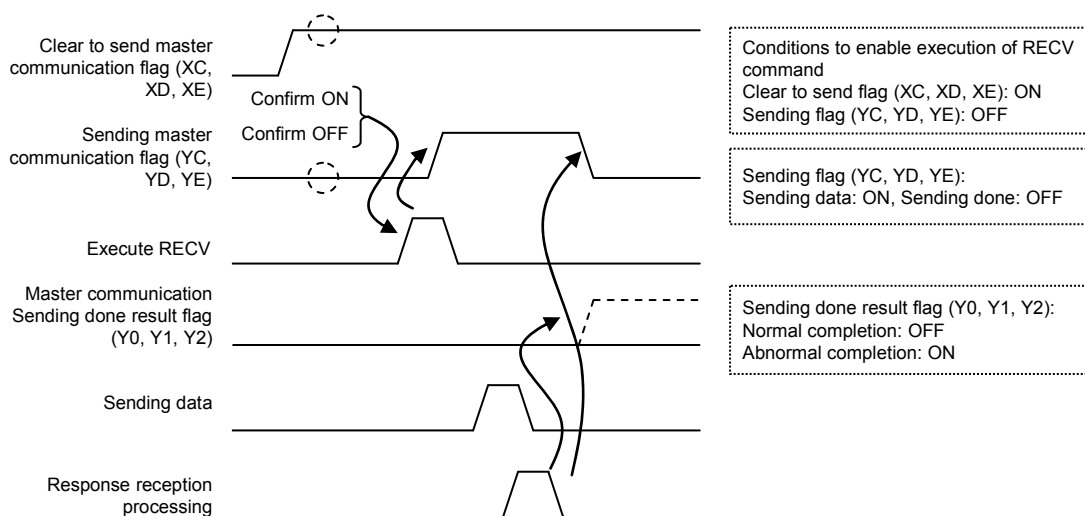


■ Sample program

- Send commands from the COM1 port of the CPU unit, read data from the data area of an external device (station no. 1) DT400 - DT401, and write the content into PLC's data register DT100 - DT101.
- Confirm that the unit is in the master mode (XC), and that the sending process is not in progress for the same port (YC), and start up the SEND command.
- In the UNITSEL command, specify the slot No. (U0) and the COM. port No. (U1).
- In the RECV command, specify and execute the partner station no. (U1), initial address (DT400), No. of data (U2), and initial address on the PLC side to save data (DT100).



■ Timing chart



■ I/O allocation

| COM port no. | | | Name | Explanation |
|--------------|----|----|---|---|
| 1 | 2 | 0 | | |
| XC | XD | XE | Clear to send master communication flag | Turns ON when MEWTOCOL-COM, MEWTOCOL7, or MODBUS-RTU is set for the communication mode, and the unit is in the RUN mode. |
| YC | YD | YE | Sending master communication flag | Turns ON during sending data based on SEND/RECV command. Turns OFF when the sending process is completed. |
| Y0 | Y1 | Y2 | Sending done result flag | Reports completion result of sending data in general-purpose communication or master communication. (Normal completion: 0, Abnormal completion: 1) |

(Note 1) Each contact is used for reading the operation status. Do not write over it with a user program.

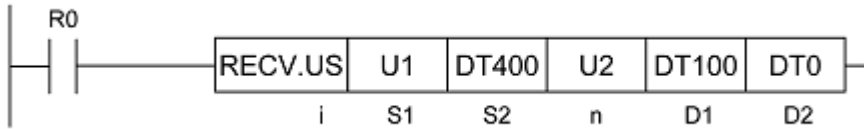


◆ KEY POINTS

- Specify the port targeted for communication, using **UNITSEL** command immediately before **SEND/RECV** command.
- Master communication is only valid when **MEWTOCOL** or **MODBUS** is selected. Confirm that the "clear to send master communication flag" (XC - XE) for the targeted channel is ON, and execute **SEND/RECV** command.
- You cannot execute other **SEND/RECV** command for a communication port in master communication. Confirm that the "sending master communication flag" (YC - YE) is OFF, and execute command.
- You cannot execute **SEND/RECV** command for a port in slave communication.
- If no response is received, the "sending master communication flag" (YC - YE) remains ON throughout the timeout setting time specified in CPU configuration.
- Up to 16 **SEND/RECV** commands can be executed simultaneously for different COM. ports.

5.3.2 RECV Command (When MEWTOCOL-COM is Used)

■ **Command format**



| Items | Settings | Setting range |
|-------|--|------------------------|
| i | Specify the operation unit. | US / SS |
| S1 | Specify the partner station no. | 1 - 99 |
| S2 | Specify the device initial address of the source node data area in the partner node. (Note 1)(Note 2) | 0 - 99999 |
| n | Specify the No. of sent data. (Note 3) | 1 - 509 words or 1 bit |
| D1 | Specify the device initial address of the receiver node data area in the source node. (Note1) | (Note1) |
| D2 | Specify the device area in the source node to save the execution result code (one word). (Note 4) | - |

(Note 1) Transmission methods vary by the type of device to be specified for the operands [S2] and [D1].

| Device to be specified for [S2] and [D1] | Transmission method |
|--|-----------------------|
| 16 bit device: WX, WY, WR, WL, DT, LD | Register transmission |
| 1 bit device: X; Y; R; L; DT,n; LD, | Bit transmission |

(Note 2) Bit device DT, n and LD, n cannot be specified for the header of the sender data in the partner node.

(Note 3) The No. of sent data is on a word basis for register transmission, and on a bit basis for bit transmission.

(Note 4): Device that can be specified for [D2] are: WX, WY, WR, WL, DT, LD. Saved as one word in the specified area.

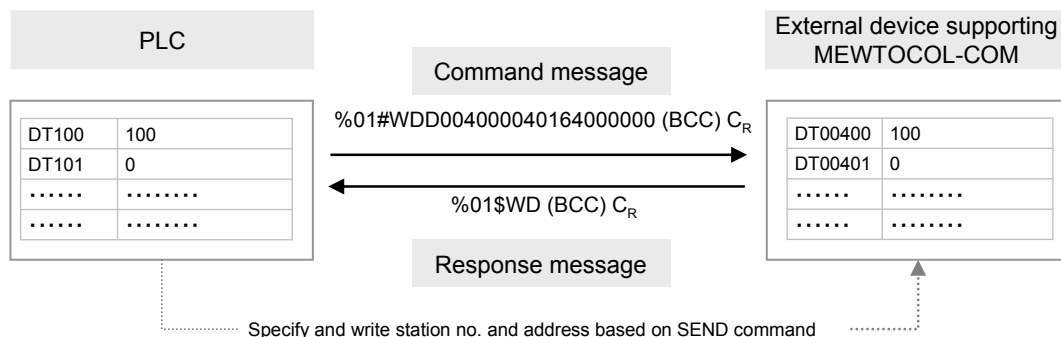
- 0: Normal completion
- 1: Communication port is being used for master communication
- 2: Communication port is being used for slave communication
- 3: No. of master communication commands that can be used simultaneously has been exceeded
- 4: Sending timeout
- 5: Response reception timeout
- 6: Received data error

5.4 MEWTOCOL-COM Master Communication (SEND)

5.4.1 Write Data into an External Device

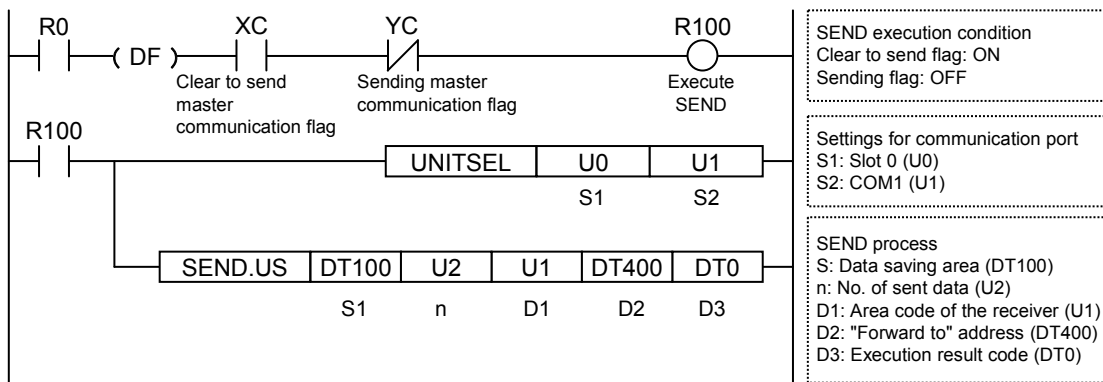
■ Instructions

In master communication, PLC has the sending right, and executes communication by sending commands to devices that support MEWTOCOL, and receiving responses. Messages in accordance with the protocol are automatically generated by PLC. In the user program, reading and writing can be done simply by specifying the station no. and memory address and executing SEND/RCV commands.



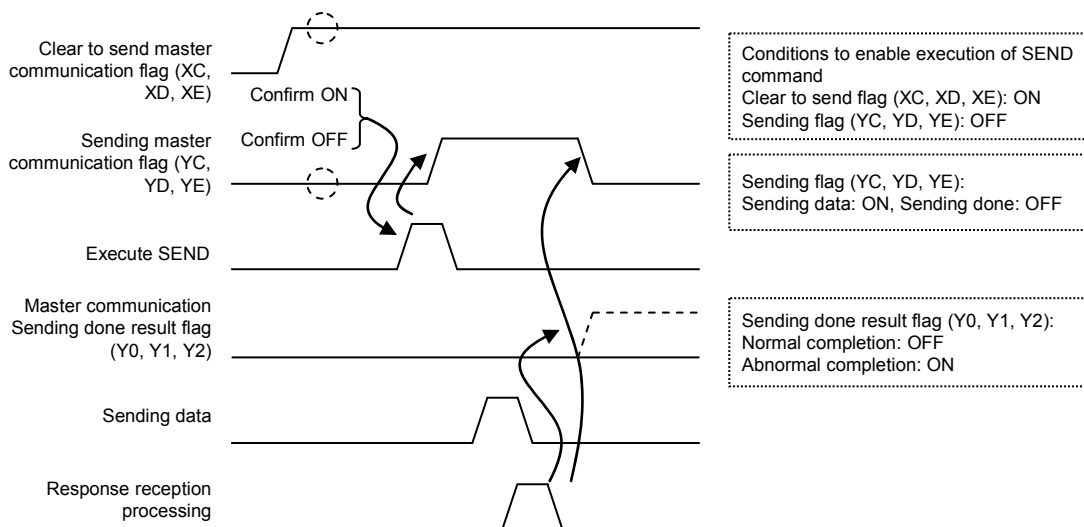
■ Sample program

- Send commands from the COM1 port of the CPU unit, and write the content of PLC's data register DT100 - DT101 into the data area of an external device (station no. 1) DT400 - DT401.
- Confirm that the unit is in the master mode (XC), and that the sending process is not in progress for the same port (YC), and start up the SEND command.
- In the UNITSEL command, specify the slot No. (U0) and the COM. port No. (U1).
- In the SEND command, specify and execute the sender initial address (DT100), No. of data (U2), "Transmit to" station no. (U1), and initial address (DT400).



MEWTOCOL Master/Slave Communication

■ Timing chart



■ I/O allocation

| COM port no. | | | Name | Explanation |
|--------------|----|----|---|--|
| 1 | 2 | 0 | | |
| XC | XD | XE | Clear to send master communication flag | Turns ON when MEWTOCOL-COM, MEWTOCOL7, or MODBUS-RTU is set for the communication mode, and the unit is in the RUN mode. |
| YC | YD | YE | Sending master communication flag | Turns ON during sending data based on SEND/RCV command. Turns OFF when the sending process is completed. |
| Y0 | Y1 | Y2 | Sending done result flag | Reports completion result of sending data in general-purpose communication or master communication. (Normal completion: 0, Abnormal completion: 1) |

(Note 1) Each contact is used for reading the operation status. Do not write over it with a user program.

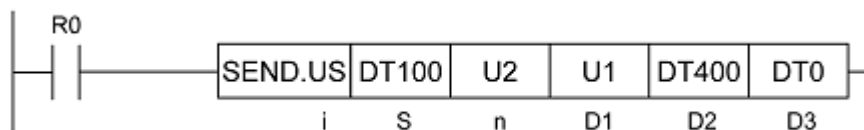


◆ KEY POINTS

- Specify the port targeted for communication, using UNITSEL command immediately before SEND/RCV command.
- Master communication is only valid when MEWTOCOL or MODBUS is selected. Confirm that the "clear to send master communication flag" (XC - XE) for the targeted channel is ON, and execute SEND/RCV command.
- You cannot execute other SEND/RCV command for a communication port in master communication. Confirm that the "sending master communication flag" (YC - YE) is OFF, and execute command.
- You cannot execute SEND/RCV command for a port in slave communication.
- If no response is received, the "sending master communication flag" (YC - YE) remains ON throughout the timeout setting time specified in CPU configuration.
- Up to 16 SEND/RCV commands can be executed simultaneously for different COM. ports.

5.4.2 SEND Command (When MEWTOCOL-COM is Used)

■ Command format



| Setting items | Settings | Setting range |
|---------------|--|---------------------------|
| i | Specify the operation unit. | US / SS |
| S | Specify the header of the source node data area. (Note 1) | - |
| n | Specify the No. of sent data. | 1 - 507 words or 1 bit |
| D1 | Specify the partner station no. (Note 2) (Note 3) | 0 - 99 |
| D2 | Specify the initial address of the receiver node data area in the partner node. (Note 4) | 0 - 99999 |
| D3 | Specify the device area in the source node to save the execution result code (one word). | (Note 5) |

(Note 1) Transmission methods vary by the type of device to be specified for the operands [S] and [D2].

| Device to be specified for [S2] and [D1] | Transmission method |
|--|-----------------------|
| 16 bit device: WX, WY, WR, WL, DT, LD | Register transmission |
| 1 bit device: X, Y, R, L, DT, n, LD, n | Bit transmission |

(Note 2) The No. of sent data is on a word basis for register transmission, and on a bit basis for bit transmission.

(Note 3) When "0" is specified for partner station no., global transmission is applied. In this case, no response message is received from the partner side.

(Note 4) Bit device DT, n and LD, n cannot be specified for the header of the receiver data in the partner node.

(Note 5): Device that can be specified for [D3] are: WX, WY, WR, WL, DT, LD. Saved as one word in the specified area.

- 0: Normal completion
- 1: Communication port is being used for master communication
- 2: Communication port is being used for slave communication
- 3: No. of master communication commands that can be used simultaneously has been exceeded
- 4: Sending timeout
- 5: Response reception timeout
- 6: Received data error

6

MODBUS RTU Master/Slave Communication

6.1 Configuration

6.1.1 Setting Communication Conditions

■ Configuration

| Setting items | Default | Specification range | Remark |
|--|-------------------|--|---|
| Communication mode | MEWTOCOL-COM | MODBUS-RTU | Specify "MODBUS-RTU". |
| Station no. | 1 | 0 - 247 | Set a specific station no. for PLC to be connected to the PLC link. Set a value that does not overlap with other devices. |
| Baud rate | 9600 | 300 / 600 / 1200 / 2400 / 4800 / 9600 / 19200 / 38400 / 57600 / 115200 | The setting must be done according to the devices connected. |
| Data length | 8 bits | 8 bits | The setting must be done according to the devices connected. In general, 8-bit length, even parity, and 1-stop bit is used. |
| Parity | Odd | Even | |
| Stop bit | 1 bit | 1 bit | |
| RS/CS | Invalid | Invalid / Valid | |
| Send waiting time (set value × 0.01 ms) | 0 | 0 - 10000 | Set this when it is necessary to delay response to the partner device in slave communication. |
| Start code STX | Invalid | - | Use the unit in the default setting as indicated on the left. |
| Terminator setting | CR | - | |
| Terminator judgment time (set value × 0.01 ms) | 0 | - | |
| Modem initialization | Do not initialize | - | |

(Note 1) In MODBUS communication, the following setting items need not to be specified.
 Start code, terminator setting, terminator judgment time, modem initialization, PLC link setting

6.2 List of MODBUS RTU Supported Commands

6.2.1 List of MODBUS Function Codes

■ Table of supported commands

| Code | Name (MODBUS) | Name | Remarks (Reference No.) | FP7 supported functions |
|------|---------------------------|----------------------------|-------------------------|-------------------------|
| 01 | Read Coil Status | Read Y and R Coils | 0X | • |
| 02 | Read Input Status | Read X Contact | 1X | • |
| 03 | Read Holding Registers | Read DT | 4X | • |
| 04 | Read Input Registers | Read WL and LD | 3X | • |
| 05 | Force Single Coil | Write Single Y and R | 0X | • |
| 06 | Preset Single Register | Write DT 1 Word | 4X | • |
| 08 | Diagnostics | Loopback Test | - | - |
| 15 | Force Multiple Coils | Write Multiple Y's and R's | 0X | • |
| 16 | Preset Multiple Registers | Write DT Multiple Words | 4X | • |
| 22 | Mask Write 4X Register | Write DT Mask | 4X | - |
| 23 | Read/Write 4X Registers | Read/Write DT | 4X | - |

(Note 1) Types of MODBUS function codes vary by commands to be used.

■ Correspondence table for MODBUS reference No. and device No.

| MODBUS reference No. | | Data on BUS (hexadecimal) | PLC device number |
|----------------------|---------------|---------------------------|-------------------|
| Coil | 000001-002048 | 0000-07FF | Y0-Y127F |
| | 002049-034816 | 0800-87FF | R0-R2047F |
| Input | 100001-108192 | 0000-1FFF | X0-X511F |
| Holding register | 400001-465536 | 0000-FFFF | DT0-DT65535 |
| Input register | 300001-301024 | 0000-03FF | WL0-WL1023 |
| | 302001-318384 | 07D0-47CF | LD0-LD16383 |

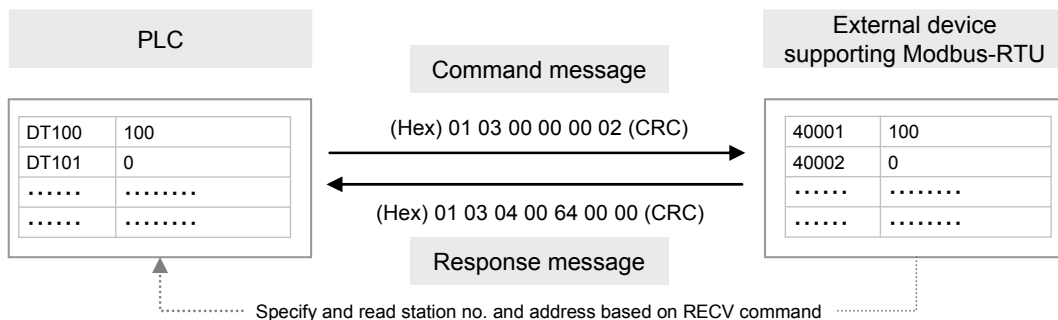
(Note 1) The table above indicates correspondence between the MODBUS reference numbers for accessing from a higher device to FP7 using the MODBUS protocol, and the operation device numbers of FP7.

6.3 MODBUS RTU Master Communication (RECV)

6.3.1 Read Data from an External Device

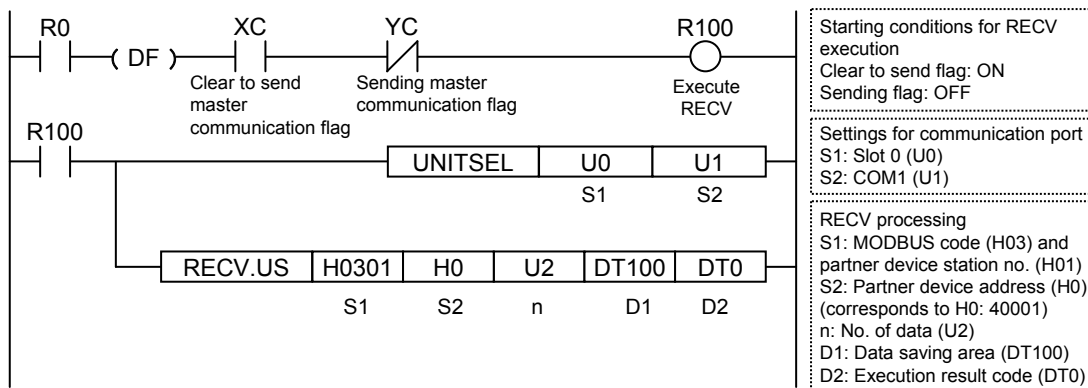
■ Instructions

In master communication, PLC has the sending right, and executes communication by sending commands to devices that support MODBUS-RTU, and receiving responses. Messages in accordance with the protocol are automatically generated by PLC. In the user program, reading and writing can be done simply by specifying the station no. and memory address and executing SEND/RECV commands.



■ Sample program

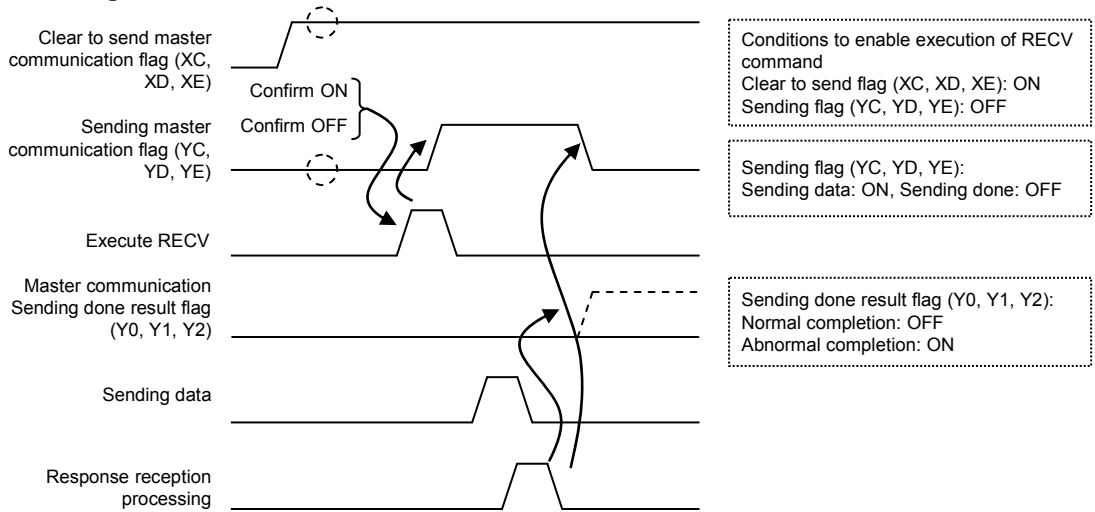
- Send commands from the COM1 port of the CPU unit, read data from the data area of an external device (station no. 1) 40001 - 40002, and write the content into PLC's data register DT100 - DT101.
- Confirm that the unit is in the master mode (XC), and that the sending process is not in progress for the same port (YC), and start up the SEND command.
- In the UNITSEL command, specify the slot No. (U0) and the COM. port No. (U1).
- In the RECV command, specify and execute the partner device station no. (U1), MODBUS command and partner device station no. to be used (H0301), initial address (40001), No. of data (U2), and initial address on the PLC side to save data (DT100). For the address of the partner device, please check operating instructions, etc. of the relevant device.



(Note 1) Operand [S1] of RECV command is specified by combining two hexadecimal digits of MODBUS function code with two hexadecimal digits of partner device station no.

(Note 2) When the partner device is FP series PLC, Operand [S2] of RECV command can be specified using the Device No.

■ Timing chart



■ I/O allocation

| COM port no. | | | Name | Explanation |
|--------------|----|----|---|--|
| 1 | 2 | 0 | | |
| XC | XD | XE | Clear to send master communication flag | Turns ON when MEWTOCOL-COM, MEWTOCOL7, or MODBUS-RTU is set for the communication mode, and the unit is in the RUN mode. |
| YC | YD | YE | Sending master communication flag | Turns ON during sending data based on SEND/RCV command. Turns OFF when the sending process is completed. |
| Y0 | Y1 | Y2 | Sending done result flag | Reports completion result of sending data in general-purpose communication or master communication. (Normal completion: 0, Abnormal completion: 1) |

(Note 1) Each contact is used for reading the operation status. Do not write over it with a user program.



◆ KEY POINTS

- Specify the port targeted for communication, using UNITSEL command immediately before SEND/RCV command.
- Master communication is only valid when MEWTOCOL or MODBUS is selected. Confirm that the "clear to send master communication flag" (XC - XE) for the targeted channel is ON, and execute SEND/RCV command.
- You cannot execute other SEND/RCV command for a communication port in master communication. Confirm that the "sending master communication flag" (YC - YE) is OFF, and execute command.
- You cannot execute SEND/RCV command for a port in slave communication.
- If no response is received, the "sending master communication flag" (YC - YE) remains ON throughout the timeout setting time specified in CPU configuration.
- Up to 16 SEND/RCV commands can be executed simultaneously for different COM. ports.

6.3.2 RECV Command (MODBUS Function Code Specified Type)

■ **Command format**



■ **Operand**

| Items | Settings | Setting range | |
|-------|--|---|--------------------|
| i | Specify the operation unit. | US / SS | |
| S1 | Specify the MODBUS function codes and partner station no. to be used. (Note 1) (Note 2) | | |
| | Higher byte | Two hexadecimal digits that indicate the MODBUS function code | H1 - H4 (1 - 4) |
| | Lower byte | Two hexadecimal digits that indicate the station no. | H1 - HF7 (1 - 247) |
| S2 | Specify the source MODBUS address in the partner node. | H0 - HFFFF (0 - 65535) | |
| n | Specify the No. of sent data. (Note 3) | 1 - 127 words 1 - 2040 bits | |
| D1 | Specify the device initial address of the receiver node data area in the source node. (Note 2) | - | |
| D2 | Specify the device area in the source node to save the execution result code (one word). | (Note 3) | |

(Note 1) Operand [S1] is specified by combining two hexadecimal digits of MODBUS function code with two hexadecimal digits of partner station no.

E.g. Specify "H030F" when MODBUS function code is 03 (Read Holding Registers) and station no. is 15.

(Note 2) Based on the types of device specified in operand [D1], the transmission methods and MODBUS function codes that can be used vary.

| Device to be specified for [D1] | Transmission method | Values that can be specified in higher bytes of [S1] |
|--|-----------------------|---|
| 16 bit device WX, WY, WR, WL, DT, LD | Register transmission | H1: Read Coil Status (01) H2: Read Input Status (02) H3: Read Holding Registers (03) H4: Read Input Registers (04) |
| 1 bit device X, Y, R, L, DT, n, LD, n | Bit transmission | H1: Read Coil Status (01) H2: Read Input Status (02) |

(Note 3) The No. of sent data is on a word basis for register transmission, and on a bit basis for bit transmission.

(Note 4): Device that can be specified for [D2] are: WX, WY, WR, WL, DT, LD. Saved as one word in the specified area.

0: Normal completion

1: Communication port is being used for master communication

2: Communication port is being used for slave communication

3: No. of master communication commands that can be used simultaneously has been exceeded

4: Sending timeout

5: Response reception timeout

6: Received data error

6.3.3 RECV Command (MODBUS Function Code Unspecified Type)

■ Command format



■ Operand

| Items | Settings | Setting range |
|-------|--|---|
| i | Specify the operation unit. | US / SS |
| S1 | Specify the partner station no. | H1 - HF7 (1 - 247) |
| S2 | Specify the device initial address of the source node data area in the partner node. | H0 - HFFFF (0 - 65535) (Note 1) (Note 2) |
| n | Specify the No. of sent data. | 1 - 127 words 1 - 2040 bits (Note 3) |
| D1 | Specify the device initial address of the receiver node data area in the source node. | (Note 1) (Note 4) |
| D2 | Specify the device area in the source node to save the execution result code (one word). | (Note 5) |

(Note 1) Types of devices and transmission methods to be specified for operands [S2] and [D1], and MODBUS function codes to be used for command execution vary.

| Device to be specified for [S2] and [D1] | Transmission method | MODBUS function codes to be used for command execution |
|--|-----------------------|---|
| 16 bit device WX, WY, WR, WL, DT, LD | Register transmission | Read Coil Status (01) Read Input Status (02) Read Holding Registers (03) Read Input Registers (04) |
| 1 bit device X, Y, R, L, DT, n, LD, n | Bit transmission | Read Coil Status (01) Read Input Status (02) |

(Note 2) Bit device L; DT, n; and LD, n cannot be specified for the header of the sender data in the partner node.

(Note 3) The No. of sent data is on a word basis for register transmission, and on a bit basis for bit transmission.

(Note 4): Device that can be specified for D1 are: WX, WY, WR, WL, DT, LD.

(Note 5): Device that can be specified for D2 are: WX, WY, WR, WL, DT, LD. Saved as one word in the specified area.

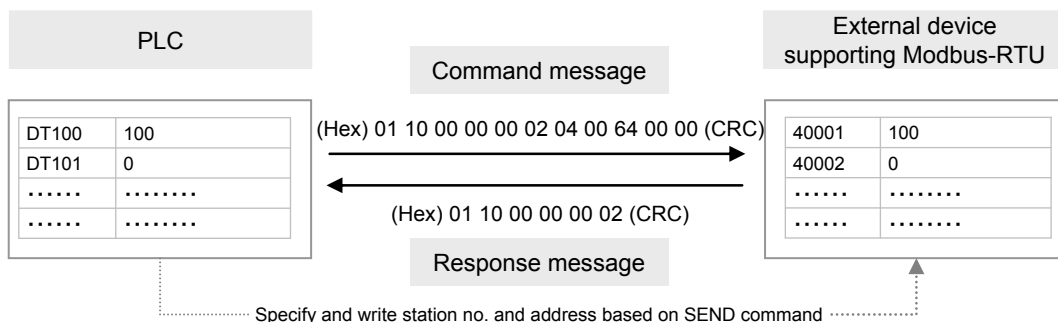
- 0: Normal completion
- 1: Communication port is being used for master communication
- 2: Communication port is being used for slave communication
- 3: No. of master communication commands that can be used simultaneously has been exceeded
- 4: Sending timeout
- 5: Response reception timeout
- 6: Received data error

6.4 MODBUS RTU Master Communication (SEND)

6.4.1 Write Data into an External Device

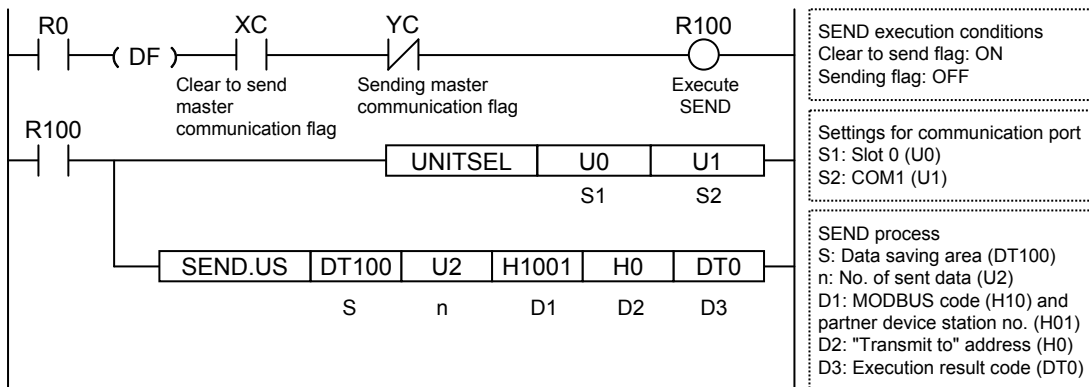
■ Instructions

In master communication, PLC has the sending right, and executes communication by sending commands to devices that support MODBUS-RTU, and receiving responses. Messages in accordance with the protocol are automatically generated by PLC. In the user program, reading and writing can be done simply by specifying the station no. and memory address and executing SEND/RCV commands.



■ Sample program

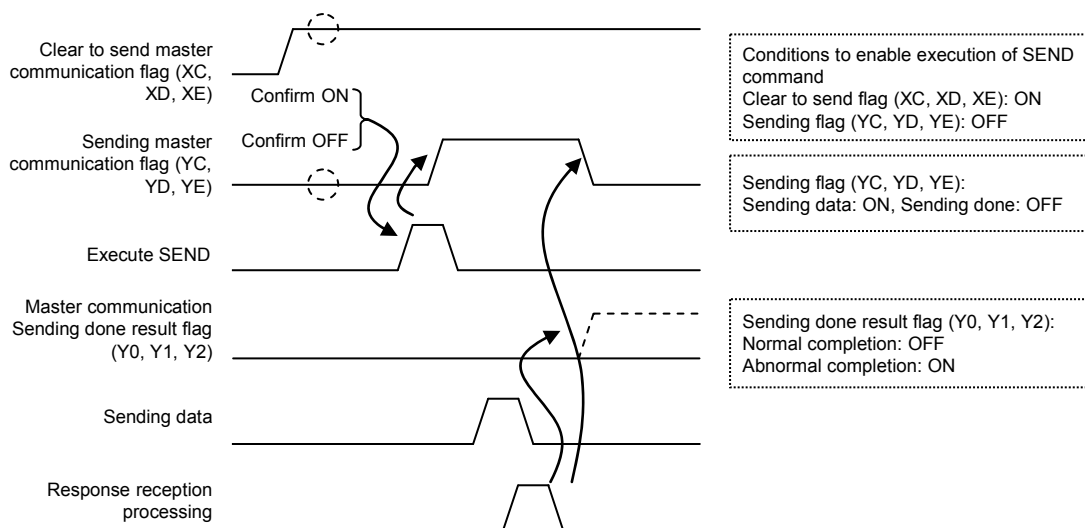
- Send commands from the COM1 port of the CPU unit, and write the content of PLC's data register DT100 - DT101 into the data area of an external device (station no. 1) 40001 - 40002.
- Confirm that the unit is in the master mode (XC), and that the sending process is not in progress for the same port (YC), and start up the SEND command.
- In the UNITSEL command, specify the slot No. (U0) and the COM. port No. (U1).
- In the SEND command, specify and execute the PLC initial address (DT100), No. of data (U2), MODBUS function code to be used (16 : H10), partner device station no. (H01), and initial address (H0). For the address of the partner device, please check operating instructions, etc. of the relevant device.



(Note 1) Operand [S1] of SEND command is specified by combining two hexadecimal digits of MODBUS function code with two hexadecimal digits of partner device station no. When the MODBUS function code is 16, specify H10 for [D1].

(Note 2) When the partner device is FP series PLC, Operand [S2] of SEND command can be specified using the Device No.

■ Timing chart



■ I/O allocation

| COM port no. | | | Name | Explanation |
|--------------|----|----|---|--|
| 1 | 2 | 0 | | |
| XC | XD | XE | Clear to send master communication flag | Turns ON when MEWTOCOL-COM, MEWTOCOL7, or MODBUS-RTU is set for the communication mode, and the unit is in the RUN mode. |
| YC | YD | YE | Sending master communication flag | Turns ON during sending data based on SEND/RCV command. Turns OFF when the sending process is completed. |
| Y0 | Y1 | Y2 | Sending done result flag | Reports completion result of sending data in general-purpose communication or master communication. (Normal completion: 0, Abnormal completion: 1) |

(Note 1) Each contact is used for reading the operation status. Do not write over it with a user program.

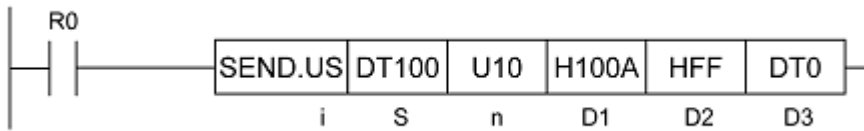


◆ KEY POINTS

- Specify the port targeted for communication, using **UNITSEL** command immediately before **SEND/RCV** command.
- Master communication is only valid when **MEWTOCOL** or **MODBUS** is selected. Confirm that the "clear to send master communication flag" (**XC - XE**) for the targeted channel is **ON**, and execute **SEND/RCV** command.
- You cannot execute other **SEND/RCV** command for a communication port in master communication. Confirm that the "sending master communication flag" (**YC - YE**) is **OFF**, and execute command.
- If no response is received, the "sending master communication flag" (**YC - YE**) remains **ON** throughout the timeout setting time specified in CPU configuration.
- You cannot execute **SEND/RCV** command for a port in slave communication.
- Up to 16 **SEND/RCV** commands can be executed simultaneously for different **COM.** ports.

6.4.2 SEND Command (MODBUS Function Code Specified Type)

■ Command format



■ Operand

| Items | Settings | Setting range | |
|-------|--|---|--------------------|
| i | Specify the operation unit. | US / SS | |
| S | Specify the header of the source node data area. (Note 1) | - | |
| n | Specify the No. of sent data. (Note 1) (Note 2) | 1 - 127 words 1 - 2040 bits | |
| D1 | Specify the MODBUS command and partner station no. to be used. (Note 3) (Note 4) | | |
| | Higher byte | Two hexadecimal digits that indicate the MODBUS function code | H5, H6, HF, H10 |
| | Lower byte | Two hexadecimal digits that indicate the station no. | H0 - HF7 (0 - 247) |
| D2 | Specify the header of the MODBUS address in the receiver data area in the partner node. | H0~HFFFF (0 - 65535) | |
| D3 | Specify the device area in the source node to save the execution result code (one word). | (Note 5) | |

(Note 1) Based on the types of device specified in operand [S] and the No. of sent data specified in [n], the transmission methods and MODBUS function codes that can be used vary.

| Types of device to be specified in [S] | Transmission method | No. of sent data [n] | Values that can be specified in higher bytes of [D1] |
|---|-----------------------|----------------------|---|
| 16 bit device WX, WY, WR, WL, DT, LD | Register transmission | 1 | H6: Preset Single Register (06) HF: Force Multiple Coils (15) H10: Preset Multiple Registers (16) |
| | | 2 - 127 | HF: Force Multiple Coils (15) H10: Preset Multiple Registers (16) |
| 1 bit device X, Y, R, L, DT, n, LD,n | Bit transmission | 1 | H5: Force Single Coil (05) HF: Force Multiple Coils (15) |
| | | 2 - 2040 | HF: Force Multiple Coils (15) |

(Note 2) The No. of sent data [n] is on a word basis for register transmission, and on a bit basis for bit transmission.

(Note 3) Operand [D1] is specified by combining two hexadecimal digits of MODBUS function code with two hexadecimal digits of partner station no.
 E.g. Specify "H0F0A" when MODBUS function code is 10 (Preset Multiple Registers) and station no. is 10.

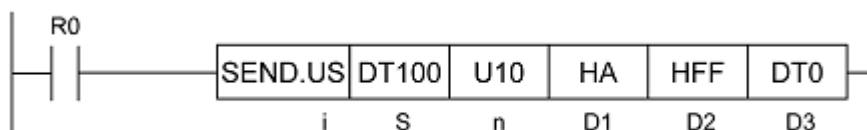
(Note 4) When "0" is specified for partner station no., global transmission is applied. In this case, no response message is received from the partner side.

(Note 5): Device that can be specified for [D3] are: WX, WY, WR, WL, DT, LD. Saved as one word in the specified area.

- 0: Normal completion
- 1: Communication port is being used for master communication
- 2: Communication port is being used for slave communication
- 3: No. of master communication commands that can be used simultaneously has been exceeded
- 4: Sending timeout
- 5: Response reception timeout
- 6: Received data error

6.4.3 SEND Command (MODBUS Function Code Unspecified Type)

■ Command format



■ Operand

| Items | Settings | Setting range |
|-------|--|---------------------------------------|
| i | Specify the operation unit. | US / SS |
| S | Specify the header of the source node data area. | (Note 1) |
| n | Specify the No. of sent data. | 1 - 127 words, 1 - 2040 bits (Note 2) |
| D1 | Specify the partner station no. | H0 - HF7 (0 - 247) (Note 3) |
| D2 | Specify the initial address of the receiver node data area in the partner node. | H0 - HFFFF (0 - 65535) (Note 4) |
| D3 | Specify the device area in the source node to save the execution result code (one word). | (Note 5) |

(Note 1) Types of devices and transmission methods to be specified for operands [S] and [D2], and MODBUS function codes to be used for command execution vary.

| Types of device to be specified in [S] | Transmission method | MODBUS function codes to be used for command execution |
|--|-----------------------|---|
| 16 bit device WX, WY, WR, WL, DT, LD | Register transmission | Force Multiple Coils (15) Preset Multiple Registers (16) |
| 1 bit device X, Y, R, L, DT, n, LD, n | Bit transmission | Force Multiple Coils (15) |

(Note 2) The No. of sent data [n] is on a word basis for register transmission, and on a bit basis for bit transmission.

(Note 3) When "0" is specified for partner station no., global transmission is applied. In this case, no response message is received from the partner side.

(Note 4) 16 bit device WX, WL, and LD; and 1 bit device X; L; DT, n; and LD, n cannot be specified for the header of the receiver data in the partner node.

(Note 5): Device that can be specified for [D3] are: WX, WY, WR, WL, DT, LD. Saved as one word in the specified area.

0: Normal completion

1: Communication port is being used for master communication

2: Communication port is being used for slave communication

3: No. of master communication commands that can be used simultaneously has been exceeded

4: Sending timeout

5: Response reception timeout

6: Received data error

7

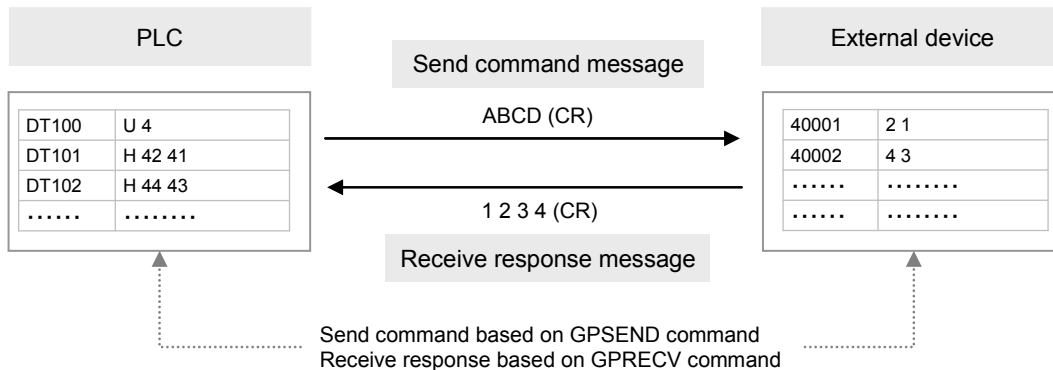
General-Purpose Communication

7.1 Operation of General-Purpose Communication

7.1.1 Read Data from an External Device

■ Read data from a partner device

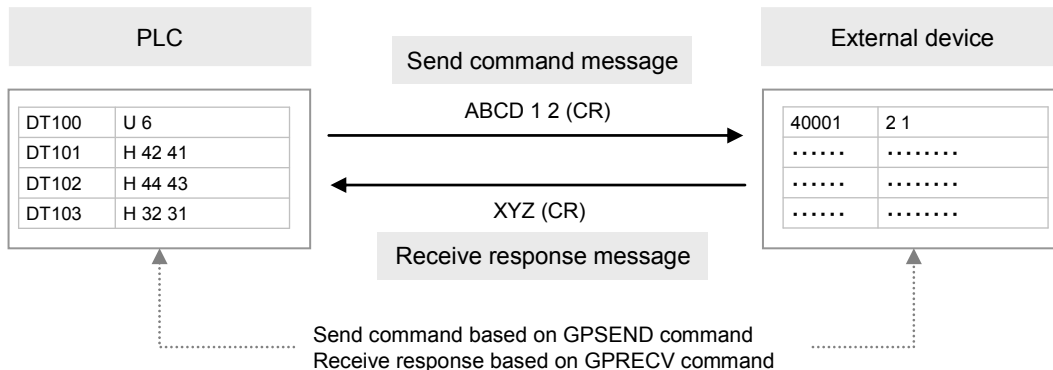
In general-purpose communication, communication is executed by sending commands that suit the partner device, and receiving responses. Command messages are sent by formulating a data table for message in accordance with the protocol, on the given data register, and subsequently executing GPSEND command.



7.1.2 Write Data into an External Device

■ Write data into a partner device

In general-purpose communication, communication is executed by sending commands that suit the partner device, and receiving responses. Command messages are sent by formulating a data table for message in accordance with the protocol, on the given data register, and subsequently executing GPSEND command.



◆ KEY POINTS

- There is no relevance between the operation of transmission by GPSEND command and the operation of reception by GPRECV command. The built-in SCU of the CPU unit is always clear to receive data.

7.2 Configuration

7.2.1 Setting Communication Conditions

■ Configuration

| Setting items | Default | Specification range | Remark |
|--|-------------------|--|--|
| Communication mode | MEWTOCOL-COM | General-purpose communication | Specify "general-purpose communication". |
| Station no. | 1 | 1 - 999 | Settings are not necessary. |
| Baud rate | 9600 | 300 / 600 / 1200 / 2400 / 4800 / 9600 / 19200 / 38400 / 57600 / 115200 / 230400 | The setting must be done according to the devices connected. |
| Data length | 8 bits | 7 bit / 8 bits | |
| Parity | Odd | None / Odd / Even | |
| Stop bit | 1 bit | 1 bit / 2 bits | |
| RS/CS | Invalid | Invalid / Valid | Set to "Valid" only when Communication Cassette AFP7CCS2 is used in a 5-wire mode. |
| Send waiting time (unit: 0.01 ms) | 0 | 0 - 10000 | Set this when it is necessary to delay response to the partner device. |
| Start code STX | Invalid | Invalid / Valid | The setting must be done according to the devices connected. |
| Terminator setting | CR | CR / CR+LF / Time / ETX | |
| Terminator judgment time (unit: 0.01 ms) | 0 | 0 - 10000 (0 - 100 ms) | In cases where "Time" is specified in the terminator setting, set the time for judging the terminator. |
| Modem initialization | Do not initialize | Do not initialize / Initialize while performing settings / Re-initialize while performing settings | Perform settings only when a modem is to be connected. Perform settings for start-up modem initialization. |

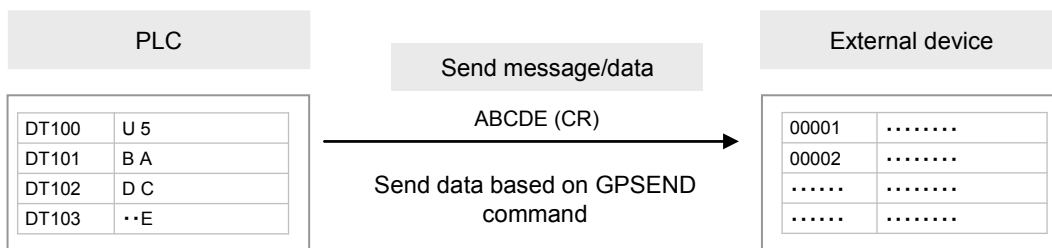
(Note 1) In general-purpose communication, the following setting items need not to be specified.
Station no., PLC link

7.3 Sending Operation

7.3.1 Overview of Sending Operation

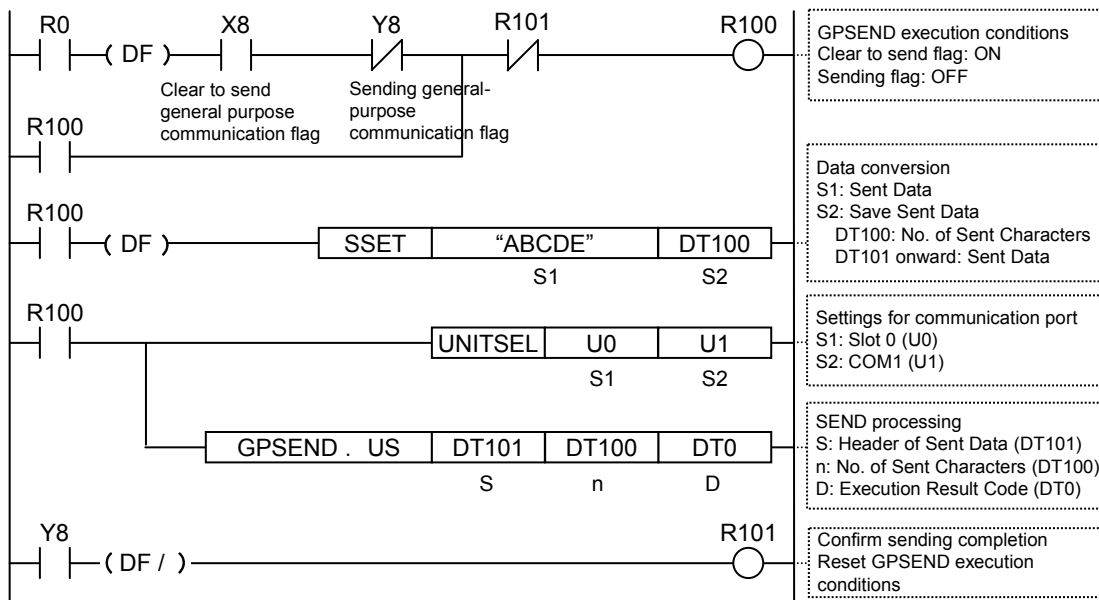
■ Instructions

Sending in the general-purpose communication is performed by formulating a data table for sending on the given operation memory, and subsequently executing GPSEND command.



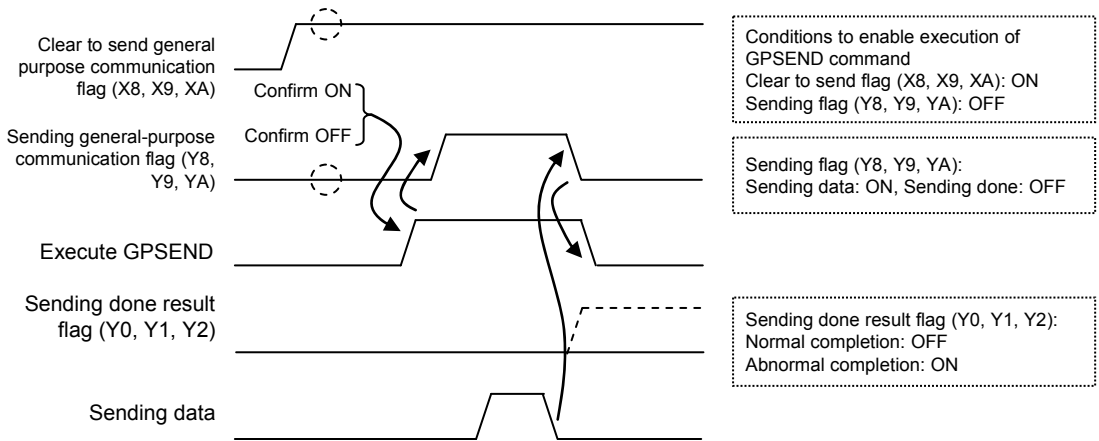
■ Sample program

- Confirm that the unit is in the general-purpose communication mode (X8), and that the general-purpose sending process is not in progress for the same port (Y8), and start up the sending program.
- In the SSET command, convert a given message into an ASCII text string, and specify the number of strings to be sent in the data register DT100, and the message to be sent from the data register DT101.
- In the UNITSEL command, specify the slot No. (U0) and the COM. port No. (U1).
- In the GPSEND command, specify and execute the header of the table where the message to be sent is saved (DT101) and the No. of characters (DT100).



■ Timing chart

- Data in the table [S] specified by GPSEND command are sent, in ascending order from lower bytes.
- During the sending process, the "sending general-purpose communication flag" (Y8, Y9, YA) turns ON. The flag is turned OFF when sending is completed. (The flag does not turn off right after the execution of the instruction. It turns off at the beginning of the second scan.)
- The sending result (0: normal completion, 1: abnormal completion) is saved in the general-purpose communication sending result flag (Y0, Y1, Y2).



■ I/O allocation

| COM port no. | | | Name | Explanation |
|--------------|----|----|--|--|
| 1 | 2 | 0 | | |
| X8 | X9 | XA | Clear to send general-purpose sending flag | It turns ON when the unit is set to the general-purpose communication mode. |
| Y8 | Y9 | YA | Sending general-purpose communication flag | Turns ON during sending data based on general-purpose communication GPSEND. Turns OFF when the sending process is completed. |
| Y0 | Y1 | Y2 | Sending done result flag | Reports completion result of sending data in general-purpose communication or master communication. (Normal completion: 0, Abnormal completion: 1) |

(Note 1) Each contact is used for reading the operation status. Do not write over it with a user program.

(Note 2) When the sending time is shorter than the scan time, the "sending general-purpose communication flag" (Y8, Y9, YA) turns OFF when the GPSEND command is executed in the subsequent scan following data sending completion. In all cases, it is turned ON for at least one scan time.



◆ KEY POINTS

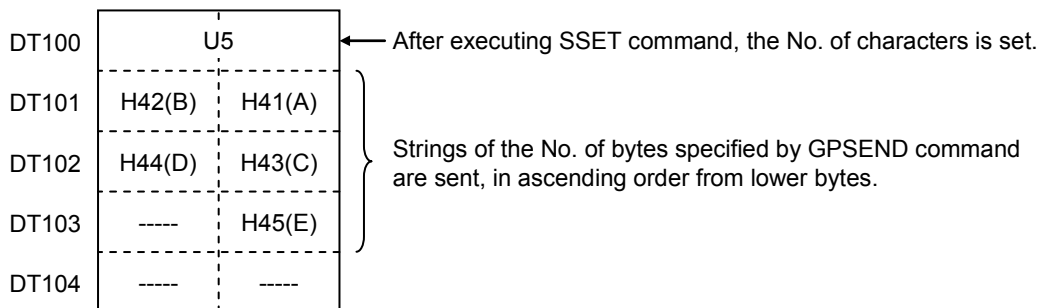
- Specify the port targeted for communication, using UNITSEL command immediately before GPSEND command.
- Maintain the ON conditions for GPSEND command until sending is completed and the sending general-purpose communication flag (Y8, Y9, YA) turns OFF.

7.3.2 Contents of Sent Data

Strings data sent by the GPSEND command are converted into ASCII text and saved in a given data register.

■ **Sent data table**

- Once the sent data are converted into strings data using the SSET command, the No. of characters is saved in the header area. The sent data are saved starting with lower bytes of the subsequent address.



◆ **KEY POINTS**

- The start code and the end code specified in the configuration menu are automatically added to the sent data. Do not include the start code or the end code into sent data.
- The maximum volume of data that can be sent is 4,096 bytes. If the start code is set to valid, the maximum size is 4,096 bytes including the start code and the end code.
- It is also possible to send binary data.

7.3.3 GPSEND (General-Purpose Communication Sending Command)

■ Command format



| Items | Settings | Setting range |
|-------|---|---|
| i | Specify the operation unit. | US / SS (Note 1) |
| S | Specify the header of the source node data area. | (Note 2) |
| n | Specify the No. of sent bytes. | 1 to 4094, -1 to -4096 (Note 1) (Note 3) |
| D | Specify the device area in the source node to save the execution result (one word). | (Note 4) |

(Note 1) When a K constant (integer with a symbol) is specified for the No. of sent bytes [n], select SS for operation unit [i]. When a U constant (integer without a symbol) or an H constant (hexadecimal integer), select US for operation unit [i].

(Note 2): Device that can be specified for S are: WX, WY, WR, WL, DT, LD.

(Note 3) If a negative value is specified, the end code is not automatically added to the sent data. (Where SCU is targeted)

(Note 4): Device that can be specified for D are: WX, WY, WR, WL, DT, LD.

Once the sending process is completed, the sent bytes are saved. When an error occurs, "FFFFH" is saved.



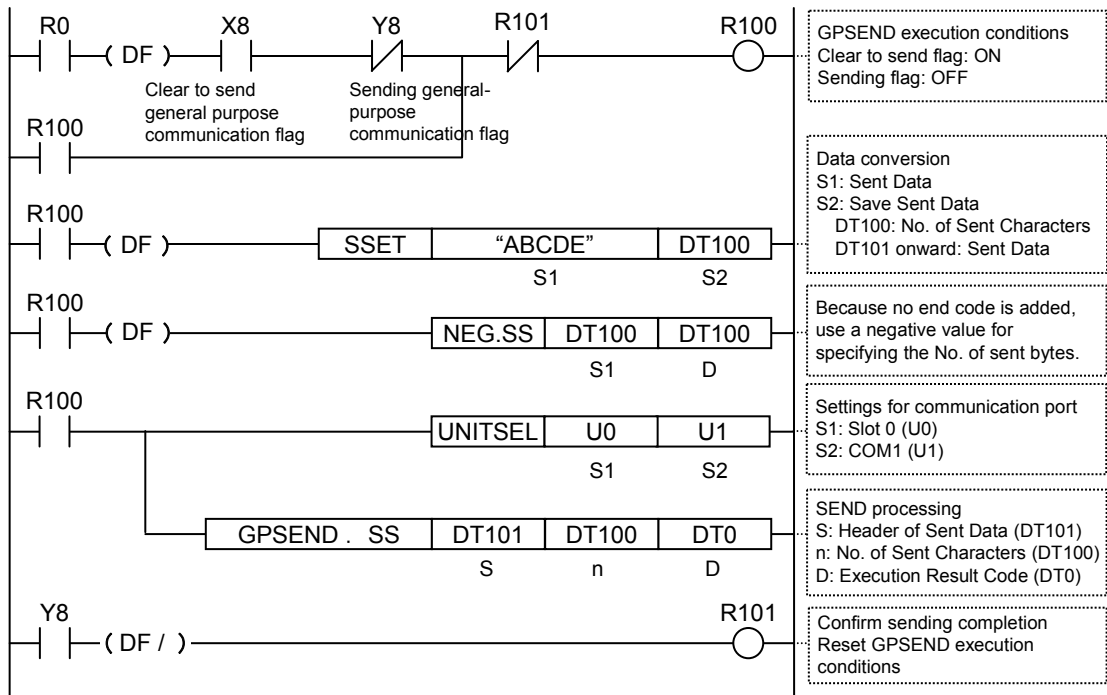
◆ KEY POINTS

- Specify the port targeted for communication, using UNITSEL command immediately before GPSEND command.
- Maintain the ON conditions for GPSEND command until sending is completed and the sending general-purpose communication flag (Y8, Y9, YA) turns OFF.
- Confirm that the "clear to send general-purpose communication flag" for the targeted COM port has turned ON, and execute GPSEND command.
- When GPSEND command is executed for a communication port in the sending process, the sending flag and the sending result are updated.
- GPSEND command cannot be used in an interrupt program.

7.3.4 Precautions on Sending Data

■ Procedures when the end code is not added in the sending process

When you do not wish to add the terminator (end code) in the sending process, use a negative value for specifying the No. of sent bytes.



◆ KEY POINTS

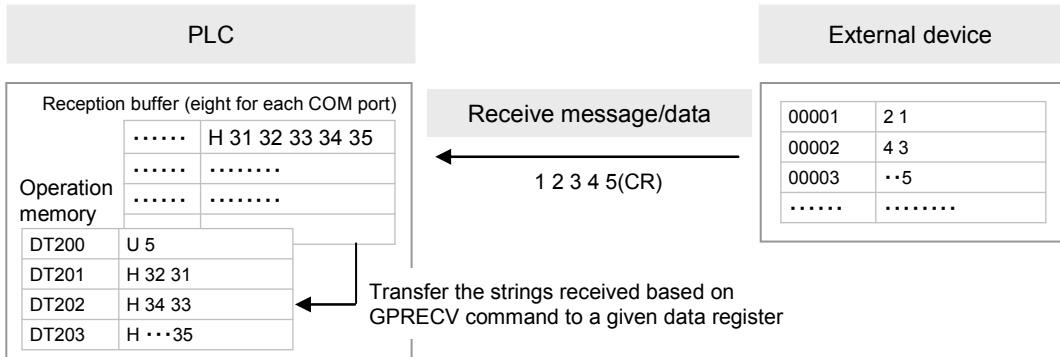
- When you do not wish to add the terminator (end code), use a negative value for specifying the No. of sent data in GPSEND command. Select "SS" for operation unit.

7.4 Receiving Operation

7.4.1 Overview of Receiving Operation

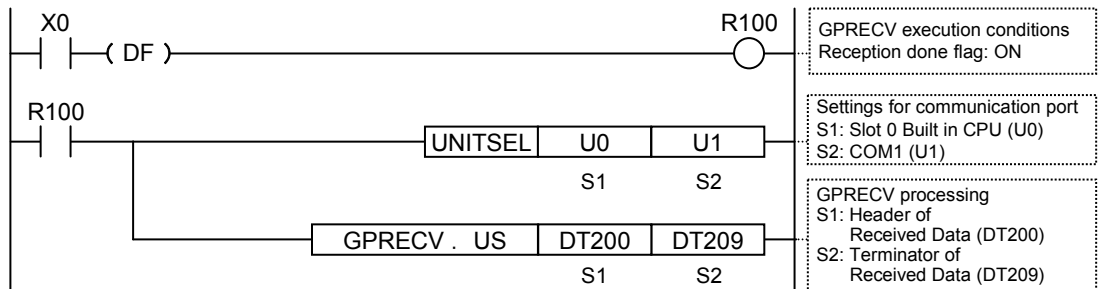
■ Instructions

In the general-purpose communication mode, data received from the partner device are saved in eight reception buffers for each COM port. When the GPREC V command is executed in a user program, data in the reception buffer can be copied into a given operation memory.



■ Sample program

- When the reception done flag (X0) turns ON, the reception program is started up by the GPREC V command.
- In the UNITSEL command, specify the slot No. (U0) and the COM. port No. (U1).
- In the GPREC V command, specify and execute the header of the data table where the received message is saved (DT200) and the final address (DT209).

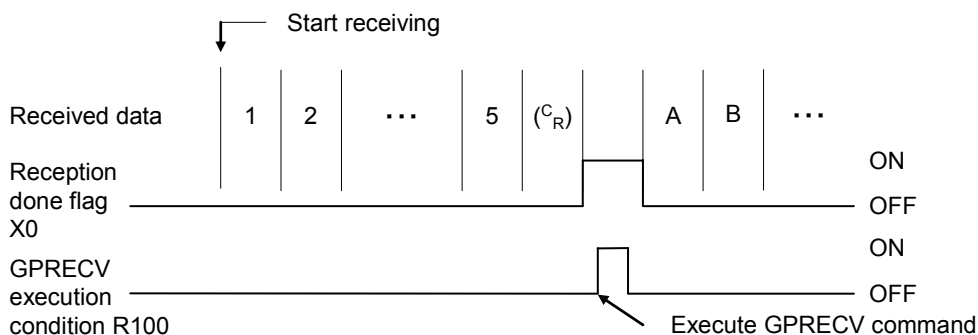


■ I/O allocation

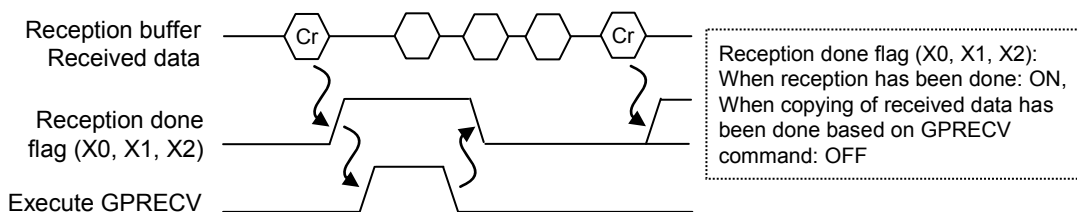
| COM port no. | | | Name | Explanation |
|--------------|----|----|--|--|
| 1 | 2 | 0 | | |
| X0 | X1 | X2 | General-purpose communication reception done flag | Turns ON when the receiving process is completed in the general-purpose communication mode. |
| X4 | X5 | X6 | General-purpose communication reception copy done flag | Turns ON when the GPREC V command is executed and the received data have been copied into the specified operation memory. Turns OFF when there are no applicable data. |

■ **Timing chart**

- Data received from an external device are saved in the same reception buffer.
- When the terminator (end code) is received, the “reception done” flag (X0, X1, X2) turns on. Subsequently, the following data are saved in the buffer upon reception. 8 data can be received consecutively.

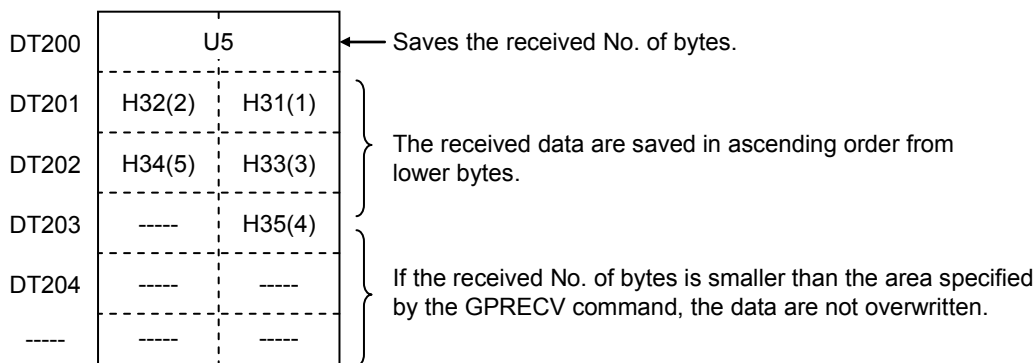


- When the GPREC command is executed, data are copied into the specified area, and the reception done flag (X0, X1, X2) turns OFF. The reception done flag (X0, X1, X2) turns OFF when the I/O refresh is executed at the beginning of the subsequent scans.



■ **Saving method for received data**

When data are saved in a given data register from the reception buffer, based on GPREC command, the data are saved in the following manner.

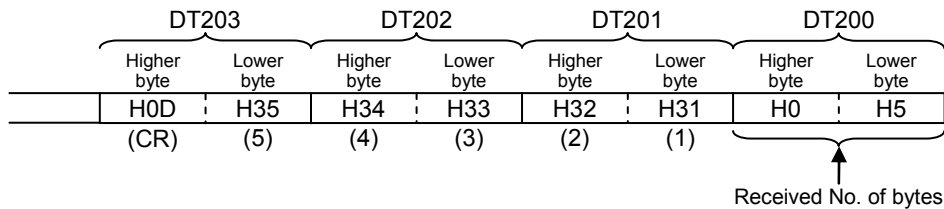


7.4.2 Contents of Received Data

When data are copied into a given data register, based on GPRECV command, the data are saved in the following manner.

Example: The data "12345 CR" is transmitted from a device with RS-232C device.

- At the beginning of the data register, the No. of received bytes is saved.
- The received data are saved in ascending order from lower bytes to higher bytes, starting with DT201.



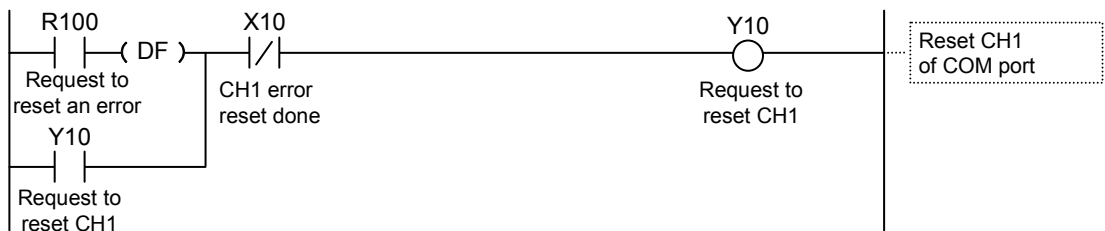
KEY POINTS

- The received data that are copied based on the GPRECV command do not include a start code or end code.
- It is also possible to receive binary data based on the GPRECV command. In this case, the terminator should be specified using "Time".

7.4.3 Precautions on Receiving Data

Reset communication ports

- If a communication abnormality has occurred, communication ports can be reset by turning on the "Request to reset" signal (Y10, Y11, Y12) by the user program.
- Once reset is completed, (X10, X11, X12) turns ON. Subsequently, turn OFF the "Request to reset" (Y10, Y11, Y12).



Procedure for repeated reception of data

For repeated reception of data, perform the following steps 1 to 4:

- (1) Receive data.
- (2) Turn on the "General-purpose communication reception done" flag (X0, X1, X2).
- (3) Specify a port to receive data based on the UNITSEL command.
- (4) Execute the GPRECV command and read the received data from the reception buffer.

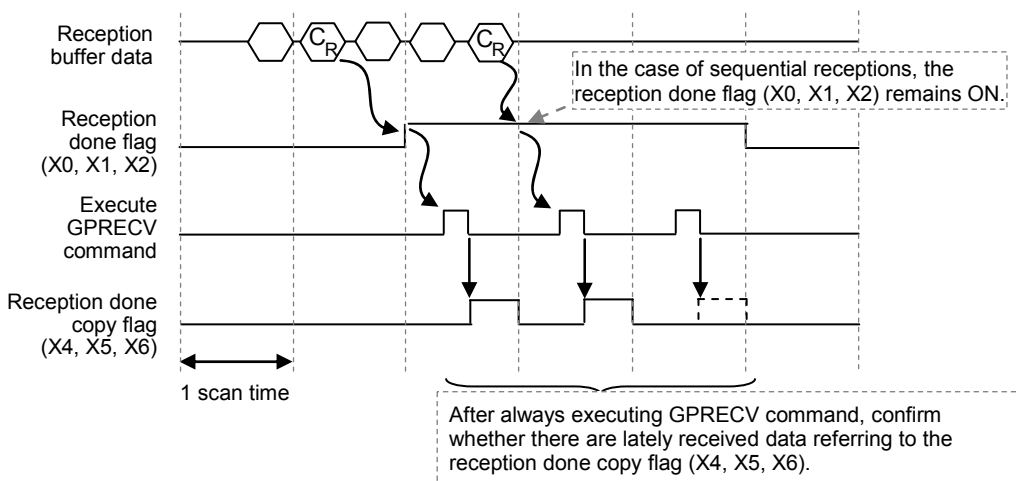
7.4.4 Operations of the "Reception done copy" flag and multiplex reception

■ Operation and function of the "reception done copy" flag (X4, X5, X6)

- The "reception done copy" flag (X4, X5, X6) turns ON when the GPRECV command is executed and data are copied from the reception buffer to the specified operation memory, and turns OFF when the END command is executed.

■ Processing in the case of multiplex reception

- If the time from the reception of data in the reception buffer to the subsequent data reception is shorter than the PLC scan time, and the receiving frequency is high, it is possible that the reception done flag (X0, X1, X2) remains ON and cannot detect sequential receptions.
- In cases where it is necessary to process sequentially received data, constantly execute the GPRECV command, in combination with the "reception done copy" flag (X4, X5, X6).
- Referring to the "reception done copy" flag (X4, X5, X6), you can confirm whether there are lately received data.



7.4.5 GPRECV (General-Purpose Communication Receiving Command)

■ Command format



| Setting items | Settings | Setting range |
|---------------|---|---------------|
| i | Specify the operation unit. | US / SS |
| D1 | Specify the initial address of the data area to save the received data. | (Note 1) |
| D2 | Specify the final address of the data area to save the received data. | (Note 2) |

(Note 1): Device that can be specified for D1 are: WX, WY, WR, WL, DT, LD.

(Note 2): Device that can be specified for D2 are: WX, WY, WR, WL, DT, LD.



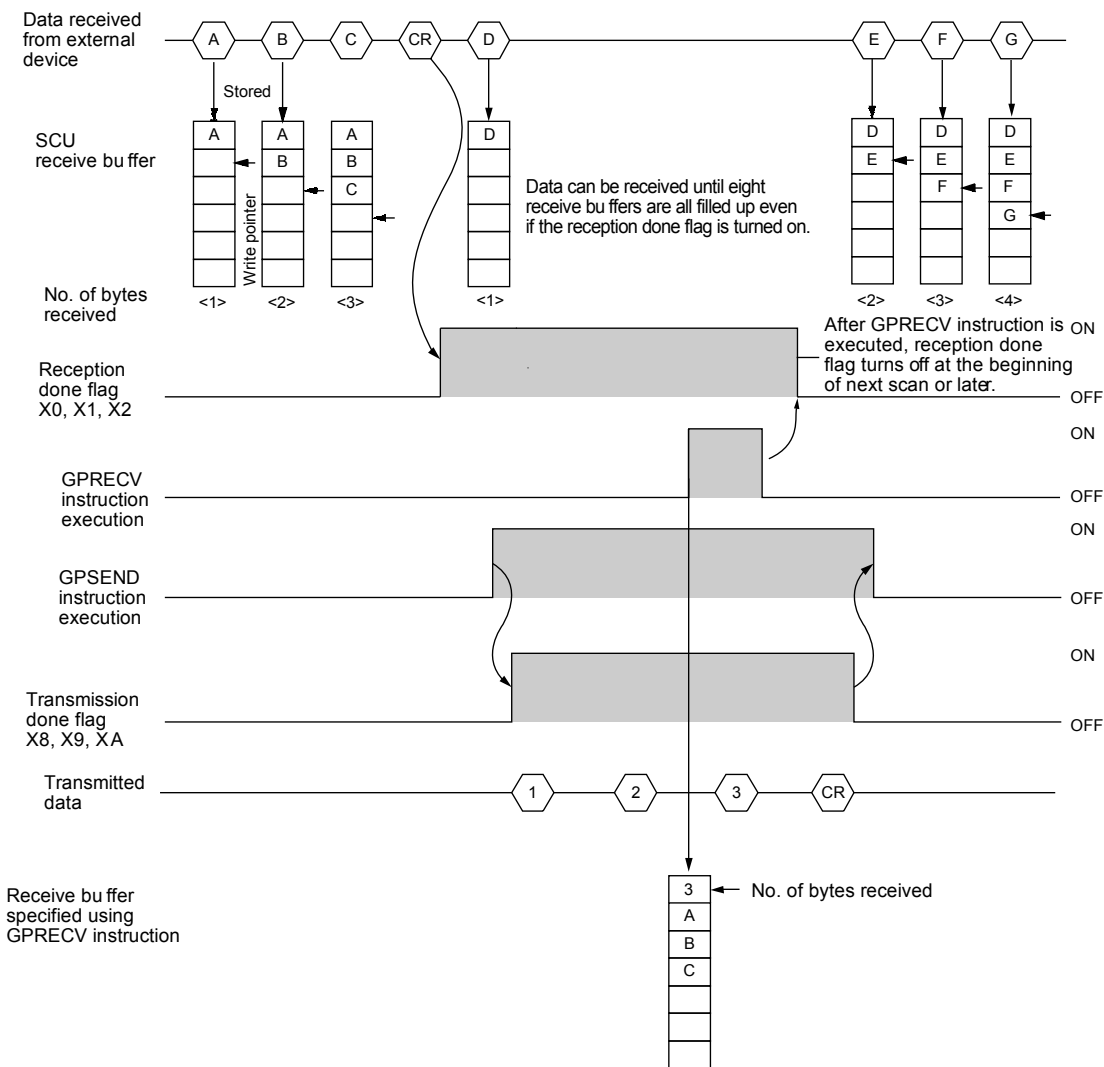
◆ KEY POINTS

- Specify the port targeted for communication, using UNITSEL command immediately before GPRECV command.
- When the general-purpose communication reception done flag is ON for the targeted COM port, execute GPRECV.
- When multiplex reception is carried out, the reception done flag (X0, X1, X2) remains ON after the received data are copied based on GPRECV command. Therefore, the received data cannot be copied by when the “reception done” signal rises.

7.5 Sending/Receiving Flag Operation

7.5.1 No Header (Start Code), Terminator (End Code) "CR":

The "reception done" flag, the "sending" flag, the GPSEND command, and the GPRECV command are related as follows:

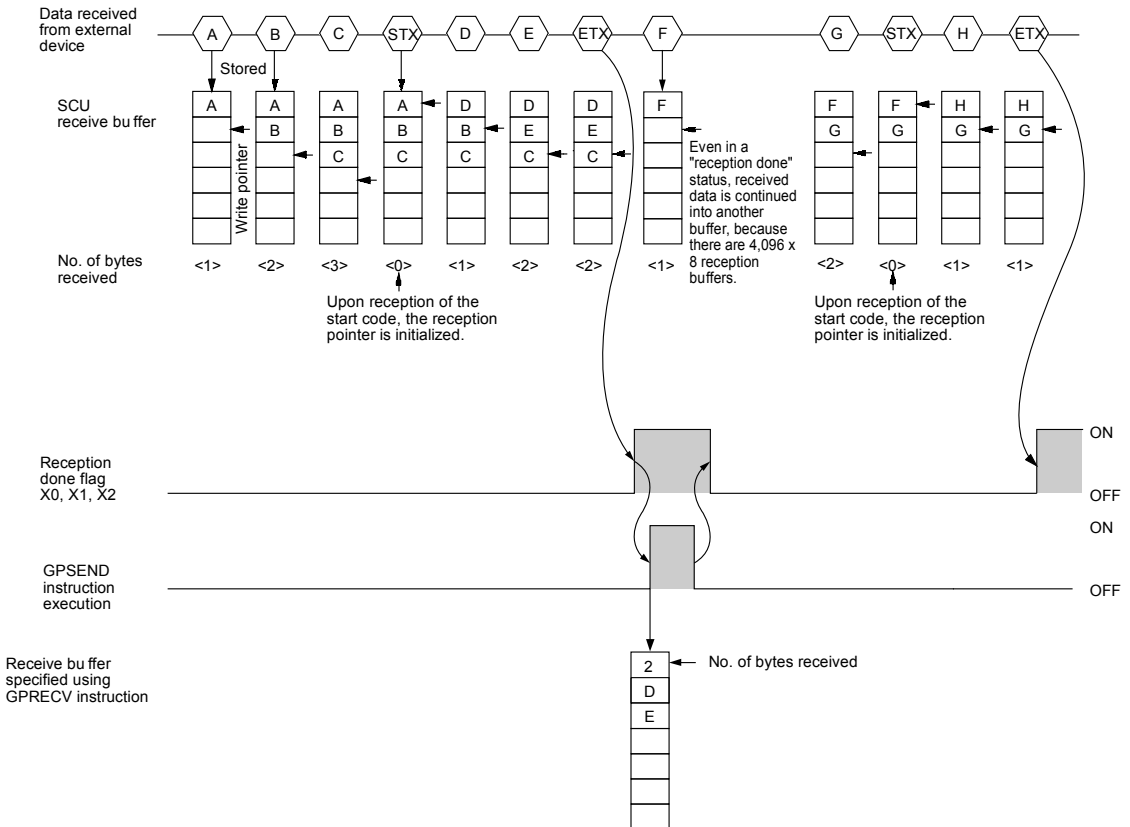


- The built-in SCU of the CPU unit has eight reception buffers. The reception process is continued after the reception done flag (X0, X1, X2) turns ON. The reception done flag (X0, X1, X2) does not turn OFF immediately following the execution of GPRECV command. It will be turned off at the beginning of the next scan or later.
- After GPSEND command is executed, data transmission is started in several μ s to several tens of ms. For time before transmission is started, please refer to the communication cycle time in the system monitor area.

- After GPSEND command is executed, dual sending to the same port is not possible until the "sending general-purpose communication flag" (Y8, Y9, YA) turns OFF. The "sending general-purpose communication flag" (Y8, Y9, YA) turns OFF in command execution in the next scan or later following completion of data sending.

7.5.2 Start Code "STX", End Code "ETX":

Receiving process: Reception done flag and GPREC V command are related as follows:



- When the start code is set to "STX", the data are saved in the reception buffer. When the start code is received, the receive pointer is initialized. If there are two headers, data following the second header overwrites the data in the reception buffer.
- The built-in SCU of the CPU unit has eight reception buffers. The reception process is continued after the reception done flag (X0, X1, X2) turns ON. The reception done flag (X0, X1, X2) does not turn OFF immediately following the execution of GPREC V command. It will be turned off at the beginning of the next scan or later.
- If there are no received data following execution of GPREC V command, the reception done copy flag (X4, X5, X6) turns OFF.

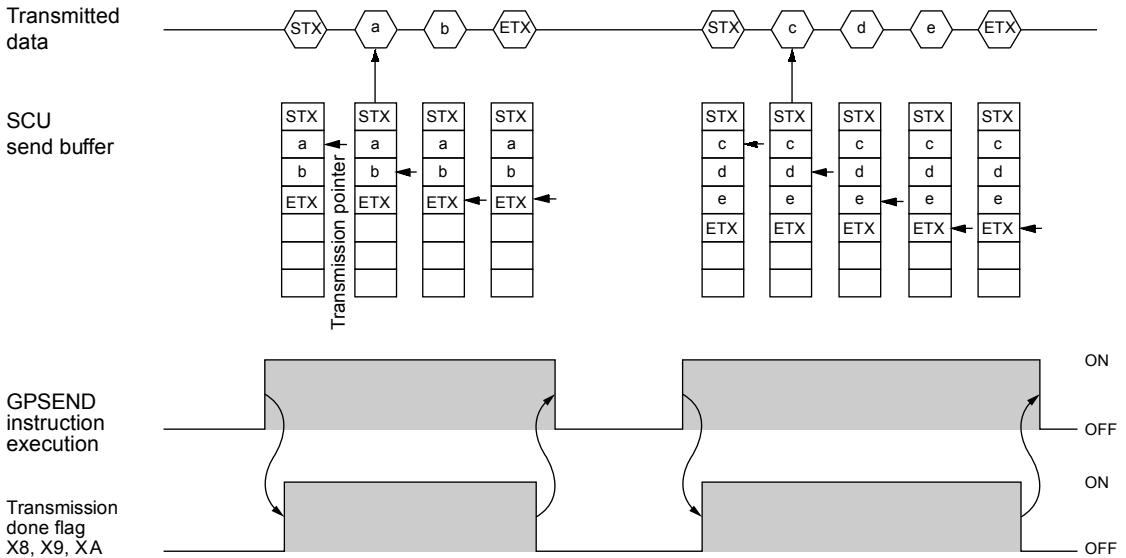


KEY POINTS

- The data without the Code STX at the reception is saved in the reception buffer, and the "reception done" flag turns on when the end code is received.

- However, if the code STX is added in the middle of the data, the data are saved from the beginning of the reception buffer.

Sending process: Sending done flag and GPSEND command are related as follows:



- Header (STX) and terminator (ETX) are automatically added to the data to be sent. The data are transmitted to an external device.
- After GPSEND command is executed, data transmission is started in several μ s to several tens of ms. For time before transmission is started, please refer to the communication cycle time in the system monitor area SM.
- After GPSEND command is executed, dual sending to the same port is not possible until the "sending general-purpose communication flag" (Y8, Y9, YA) turns OFF.
- The "sending general-purpose communication flag" (Y8, Y9, YA) turns OFF in GPSEND command execution in the next scan or later following completion of data sending to an external device. The "sending general-purpose communication flag" (Y8, Y9, YA) always remains on for at least 1 scan time.

8

Specifications

8.1 Communication Function Specifications

8.1.1 CPU Unit Communication Specifications

■ USB port (for tool software)

| Items | Description |
|------------------------|---|
| Standard | USB2.0 FULL SPEED |
| Communication function | MEWTOCOL-COM (slave), MEWTOCOL7-COM (slave) |

■ COM0 Port

| Items | Description |
|-------------------------|--|
| Interface | 3-wire 1-channel RS-232C |
| Transmission distance | 15 m (Note 1) |
| Baud rate | 300, 600, 1200, 2400, 4800, 9600, 19200, 38400, 57600, 115200, 230400 bit / s |
| Communication method | Half-duplex transmission |
| Synchronous method | Start stop synchronous system |
| Communication format | Data length: 7 bits / 8 bits, stop bit: 1 bit / 2 bits, parity: Yes / No (Odd / Even) Start code: Without STX / With STX, end code: CR / CR + LF / None / ETX |
| Data transmission order | Transmits from bit 0 character by character. |
| Communication function | MEWTOCOL-COM (master/slave), MEWTOCOL7-COM (slave) MODBUS RTU (master/slave) general-purpose communication modem initialization |

(Note 1) When communication is performed at a baud rate of 38400 bps or higher, use the cable not longer than 3 m.
For wiring the RS-232C, a shielded wire must be used to increase noise suppression.

■ LAN port

| Items | Description |
|------------------------------------|--|
| Interface | 100BASE-TX / 10BASE-T |
| Baud rate | 100 Mbps, 10 Mbps auto-negotiation (Note 1) |
| Transmission system | Baseband |
| Max. segment length | 100 m (Note 2) |
| Communication cable | UTP (Category 5) |
| Max. distance between nodes | 100BASE-TX: 2 segments |
| | 10BASE-T: 5 segments |
| No. of nodes | 254 units |
| Number of simultaneous connections | User connections: 16 |
| | System connections: 4 (Note 3) |
| Communication protocol | TCP/IP, UDP/IP |
| DNS | Supports name server |
| DHCP | Automatic getting of IP address |
| FTP server | File transmission, server function, No. of users: 3 |
| SNTP | Time synch function |
| Communication function | MEWTOCOL-DAT (master/slave) MEWTOCOL-COM (master/slave) MEWTOCOL7-COM (slave) MODBUS TCP (master/slave) General-purpose communication (16 kB / 1 connection) |

(Note 1) Switching between different speeds is done automatically by auto negotiation function.

(Note 2) The standards cite 100 m as the maximum, but noise resistance measures such as attaching a ferrite core may be necessary in some cases, depending on the usage environment. Also, it is recommended to position a hub near the control board, and limit the length within 10 m

(Note 3) Used when connecting tool software via LAN.

8.1.2 Extension Cassette Communication Specifications

■ COM1 Port / COM2 Port

| Items | Description | | | | |
|--|--|--|--|--|--|
| | AFP7CCS1 | AFP7CCS2 | AFP7CCM1 | AFP7CCM2 | AFP7CCS1M1 |
| Interface | 3-wire 1-channel RS-232C | 3-wire 2-channel RS-232C (Note 1) | 1-channel RS-422/RS485 (Note 2) (Note 3) | 2-channel RS-422/RS485 (Note 2) (Note 3) | 3-wire 1-channel RS-232C 1-channel RS-422/RS-485 (Note 2) (Note 3) |
| Transmission distance | Max. 15 m | (Note 4) | When RS-422 is used: Max. 400 m When RS-485 is used: Max. 1200 m (Note 5) (Note 6) | | RS-232C: Max. 15 m RS-485: Max. 1200 m (Note 5) (Note 6) |
| Baud rate | 300, 600, 1200, 2400, 4800, 9600, 19200, 38400, 57600, 115200, 230400 bit/s | | | | |
| Communication method | Half-duplex transmission (Note 7) | | | | |
| Synchronous method | Start stop synchronous system | | | | |
| Communication format | Data length: 7 bits / 8 bits, stop bit: 1 bit / 2 bits, parity: Yes / No (Odd / Even) Start code: Without STX / With STX, end code: CR / CR + LF / None / ETX | | | | |
| Data transmission order | Transmits from bit 0 character by character. | | | | |
| Communication functions and No. of units that can be connected | PLC link: Max. 16 units MEWTOCOL-COM (master/slave), MEWTOCOL7-COM (slave): Max. 99 units MODBUS RTU (master/slave): Max. 99 units General-purpose communication: Max. 99 units Modem initialization | | | | |

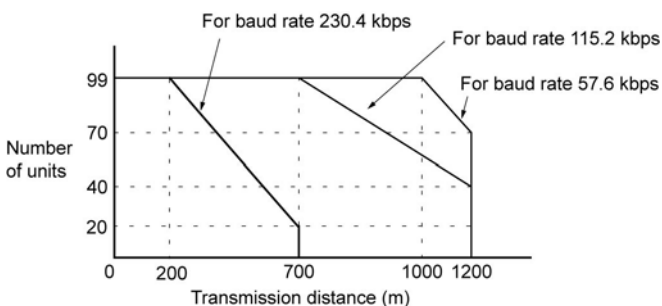
(Note 1) By switching on the dip switch on the cassette, you can use the unit as 5-wire 1-channel RS-232C.

(Note 2) By switching on the dip switch on the cassette, you can switch between RS-422 and RS-485.

(Note 3) When connecting a commercially available device that has an RS485/RS-422 interface, please confirm operation using the actual device. In some cases, the number of units, transmission distance, and baud rate vary depending on the connected device.

(Note 4) When communication is performed at a baud rate of 38400 bps or higher, use the cable not longer than 3 m. For wiring the RS-232C, a shielded wire must be used to increase noise suppression.

(Note 5) The transmission distance is limited by the specified baud rate and No. of connected units in the RS-485 setting. When using a baud rate of 38400 bps or less, the allowable settings are a maximum of 1200 m and 99 units. When a C-NET adapter is mixed, the maximum number of connected units is 32, and the baud rate is limited to 19200 bps or less.



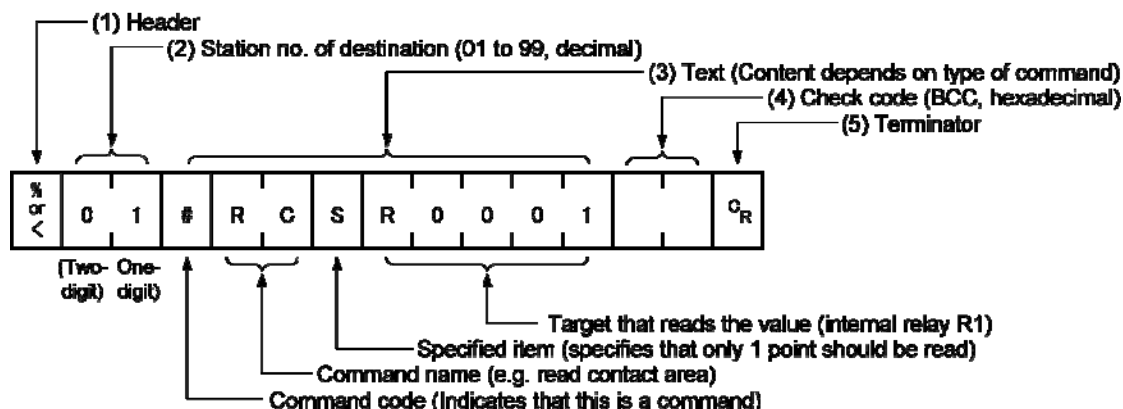
(Note 6) The converter SI-35 manufactured by Lineeye Co., Ltd is recommendable for the RS485 at the computer side.

(Note 7) In general-purpose communication, RS-232C and RS-422 use full-duplex transmission.

8.2 MEWTOCOL-COM Format

8.2.1 MEWTOCOL-COM Command Format

■ Command message



(1) Header (start code)

Commands must always have a “%” (ASCII code: H25) or a “<” (ASCII code: H3C) at the beginning of a message.

(2) Station no.

- The station no. of the PLC to which you want to send the command must be specified. The station no. of the PLC is specified by the system register. In the case of the FP7 CPU unit, the station no. is specified in the FPWIN GR7 configuration menu.
- In 1:1 communication, specify "01" (ASCII code: H3031) or "EE" (ASCII code: H4545).

(3) Text

The content of this varies depending on the type of command. The content should be noted in all upper-case characters, following the fixed formula.

(4) Check code

- This is a BCC (block check code) for error detection using horizontal parity. The BCC should be created so that it targets all of the text data from the header to the last text character.
- The BCC starts from the header and checks each character in sequence, using the exclusive OR operation, and replaces the final result with ASCII code. It is normally part of the calculation program and is created automatically.
- By entering "***" (ASCII code: H2A2A) instead of BCC, you can omit BCC.

(5) Terminator (end code)

Messages must always end with a “CR” (ASCII code: H0D).



◆ NOTES

- The method for writing text segments in the message varies depending on the type of command.
- When the message to be sent contains a large number of characters, send the command divided in several times.
- When the message contains a large number of characters, the response is sent divided in several times.



◆ KEY POINTS

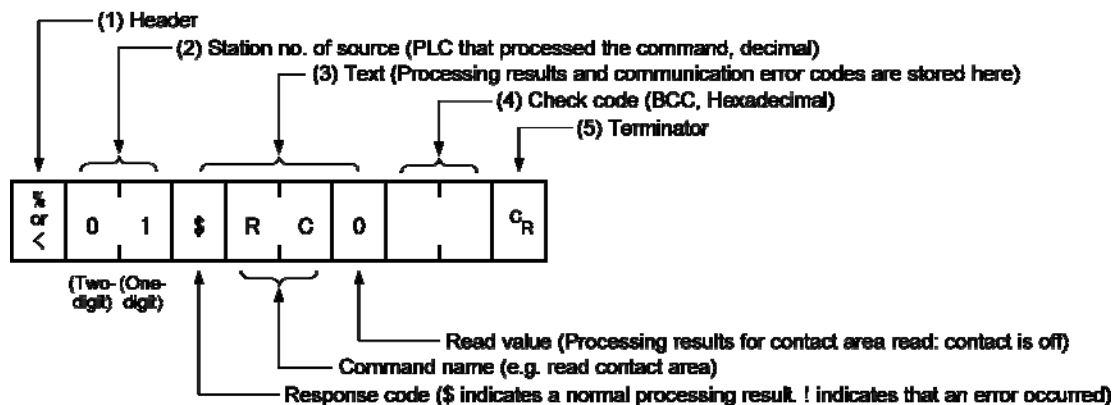
- An expansion header “<” is supported to send and receive single frames of up to 2048 characters as well as general “%”.

| Type of header | No. of characters that can be sent in 1 frame |
|----------------|---|
| % | Max. 118 characters |
| < | Max. 2048 characters |

8.2.2 MEWTOCOL-COM Response Format

■ Response message

After PLC receives a command, it returns the processing result.



(1) Header (start code)

- A "%" (ASCII code: H25) or "<" (ASCII code: H3C) must be at the beginning of a message.
- The response must start with the same header that was at the beginning of the command.

(2) Station no.

This is the station no. of the PLC that processed the command.

(3) Text

The content of this varies depending on the type of command. If the processing is not completed successfully, an error code will be stored here, so that the content of the error can be checked.

(4) Check code

- This is a BCC (block check code) for error detection using horizontal parity.
- The BCC starts from the header and checks each character in sequence, using the exclusive OR operation, and converts the final result.

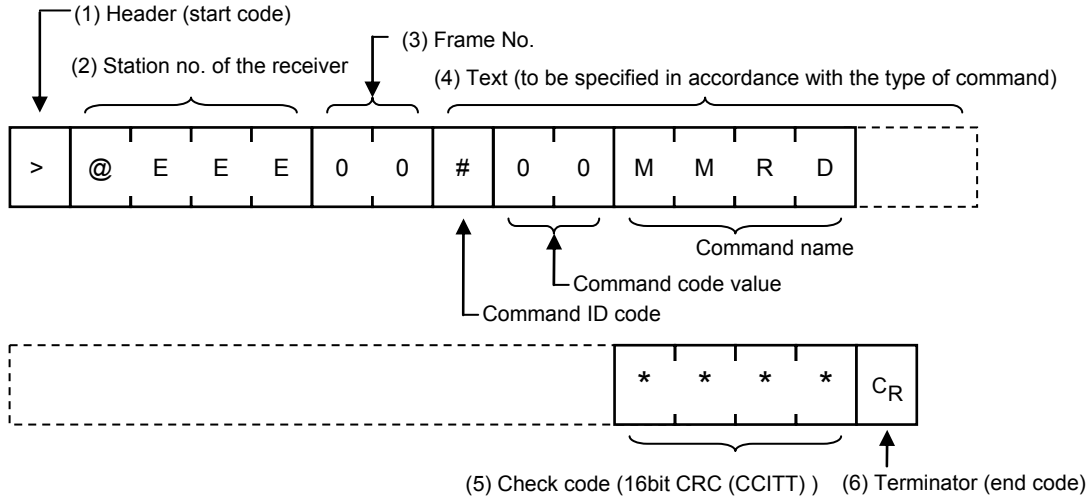
(5) Terminator (end code)

The message should end with "CR" (ASCII code: H0D).

8.3 MEWTOCOL7-COM Format

8.3.1 MEWTOCOL7-COM Command Format

■ Command message



(1) Header (start code)

A ">" (ASCII code: H3E) must be at the beginning of a message.

(2) Station no.

- The station no. of the receiving PLC to which you want to send the command must be specified with "@" and three digits". The station no. of the PLC is specified by the system register. In the case of the FP7 CPU unit, the station no. is specified in the FPWIN GR7 configuration menu.
- In 1:1 communication, specify "001" (ASCII code: H303031) or "EEE" (ASCII code: H45H4545).

(3) Frame No.

This indicates the sending frame No. Make sure to use consecutive frame numbers.

E.g. Commands for multiple frames

```
>@EEE00#00MMRDD001G0DT0000000001000****CR
```

```
>@EEE01****& CR
```

* Make sure to use consecutive values for frame numbers. The usable number range is from 00 to FF. After FF, return to 00.

(4) Text

The content of this varies depending on the type of command. The content should be noted in all upper-case characters, following the fixed formula for the particular command.

(5) Check code

- This is a CRC (Cyclic Redundancy Check) to detect errors using a generating polynomial of hamming codes.
- This should be created so that it targets all of the text data from the header to the last text character.
- CRC is a value given by replacing the result of calculation by CRC-16-CCITT with ASCII code. It is normally part of the calculation program and is created automatically.

(6) Terminator (end code)

Messages must always end with a "CR" (ASCII code: H0D).



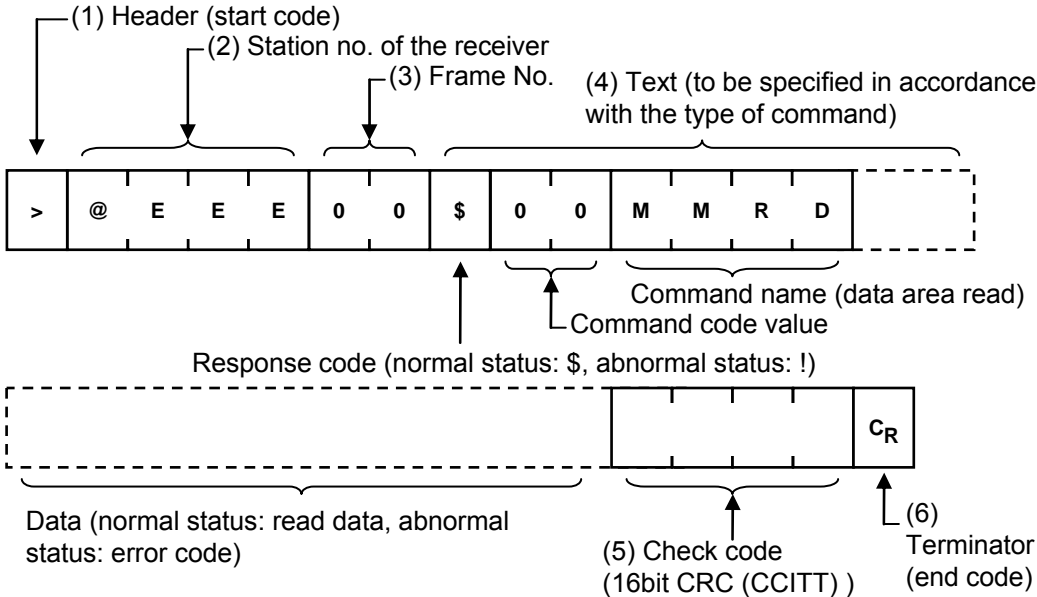
◆ KEY POINTS

- **The method for writing text segments in the message varies depending on the type of command.**
- **When the message to be sent contains a large number of characters, send the command divided in several times.**
- **When the message contains a large number of characters, the response is sent divided in several times.**
- **In MEWTOCOL7 command, up to 4096 characters can be sent/received in a single frame.**

| Type of header | No. of characters that can be sent in 1 frame |
|----------------|---|
| > | Max. 4096 characters |

8.3.2 MEWTOCOL7 Response Format

■ Response message



(1) Header (start code)

- A ">" (ASCII code: H3E) must be at the beginning of a message.
- The response must start with the same header (start code).

(2) Station no.

This is the station no. of the PLC that processed the command.

(3) Frame No.

This is the frame number where the command was processed.

(4) Text

The content of this varies depending on the type of command. If the processing is not completed successfully, an error code will be stored here, so that the content of the error can be checked.

(5) Check code

- This is a CRC (Cyclic Redundancy Check) to detect errors using a generating polynomial of hamming codes.
- This should be created so that it targets all of the text data from the header to the last text character.
- CRC is a value given by replacing the result of calculation by CRC-16-CCITT with ASCII code. It is normally part of the calculation program and is created automatically.

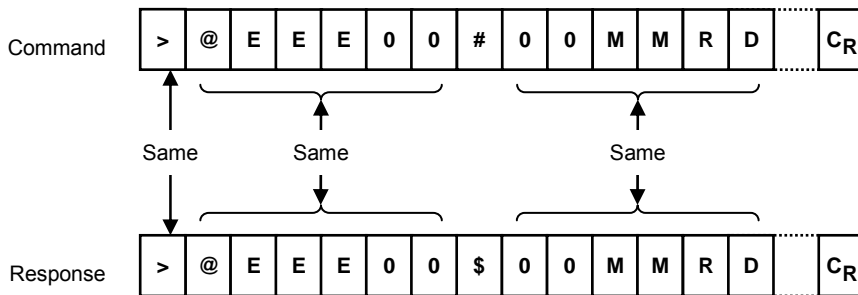
(6) Terminator (end code)

The message should end with "CR" (ASCII code: H0D).



NOTES

- If no response is returned, the communication format may not be correct, or the command may not have arrived at the PLC, or the PLC may not be functioning. Check to make sure all of the communication specifications (e.g. baud rate, data length, and parity) match between the computer and the PLC.
- If the response contains an "!" instead of a "\$", the command was not processed successfully. The response will contain a communication error code. Check the meaning of the error code.
- Station no. and command name are always identical in a command and its corresponding response (see below). This makes the correspondence between a command and a response clear.



8.4 MODBUS RTU Format

8.4.1 MODBUS RTU Command Format

■ MODBUS RTU command format

| START | ADDRESS | FUNCTION | DATA | CRC CHECK | END |
|--------------------|---------|----------|----------|-----------|--------------------|
| 3.5-character time | 8 bits | 8 bits | n*8 bits | 16 bits | 3.5-character time |

ADDRESS 8 bits, 0 to 247 (decimal)
(station no.) (Note) 0 = Broadcast address

FUNCTION 8 bits

DATA Varies depending on commands.

CRC 16 bits

END 3.5-character time
(Differs depending on baud rate. Refer to the "reception judgment time" section.)

■ Reception judgment time

The process for receiving a message completes when the time that is exceeding the time mentioned below has passed after the final data was received. Reception done judgment time is set at approx. 32 bits of time.

| Baud rate | Reception done judgment time |
|-----------|------------------------------|
| 300 | Approx. 106.7 ms |
| 600 | Approx. 53.3 ms |
| 1200 | Approx. 26.7 ms |
| 2400 | Approx. 13.3 ms |
| 4800 | Approx. 6.7 ms |
| 9600 | Approx. 3.3 ms |
| 19200 | Approx. 1.7 ms |
| 38400 | Approx. 0.8 ms |
| 57600 | Approx. 0.6 ms |
| 115200 | Approx. 0.3 ms |
| 230400 | Approx. 0.14 ms |

8.4.2 MODBUS RTU Response Format

■ Response in normal status

- The same message as a command is returned and for a loop back test.
- A part of a command message (6 bytes from the beginning) is returned for multiple write command.

■ Response in abnormal status

In case a parameter disabled to be processed is found in a command (except transmission error)

| | |
|---|------------------|
| Slave address (station no.) Function code + 80H Error code CRC | Either 1, 2 or 3 |
|---|------------------|

■ Error code contents

| |
|--|
| 1. Function code abnormality 2. Device No. abnormality (out of range) 3. No. of devices abnormality (out of range) |
|--|

Record of changes

| Manual No. | Date | Record of Changes |
|----------------|----------|-------------------|
| WUME-FP7COM-01 | Mar.2013 | First Edition |

Please contact

Panasonic Industrial Devices SUNX Co., Ltd.

■ Overseas Sales Division (Head Office): 2431-1 Ushiyama-cho, Kasugai-shi, Aichi, 486-0901, Japan

■ Telephone: +81-568-33-7861 ■ Facsimile: +81-568-33-8591

panasonic.net/id/pidsx/global

About our sale network, please visit our website.