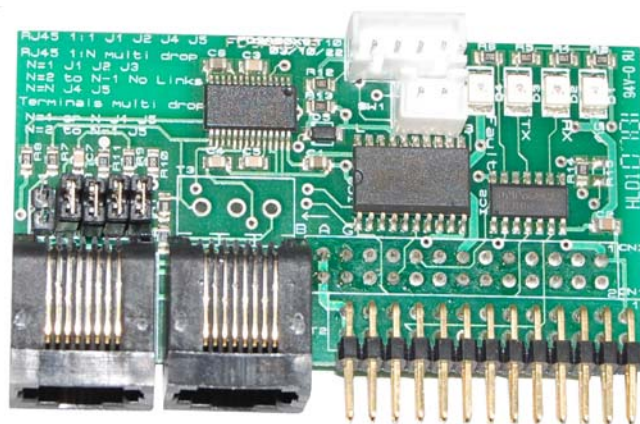


Modbus Communications RS485 Add On Card for the QFE/XFE Range of Soft Starters

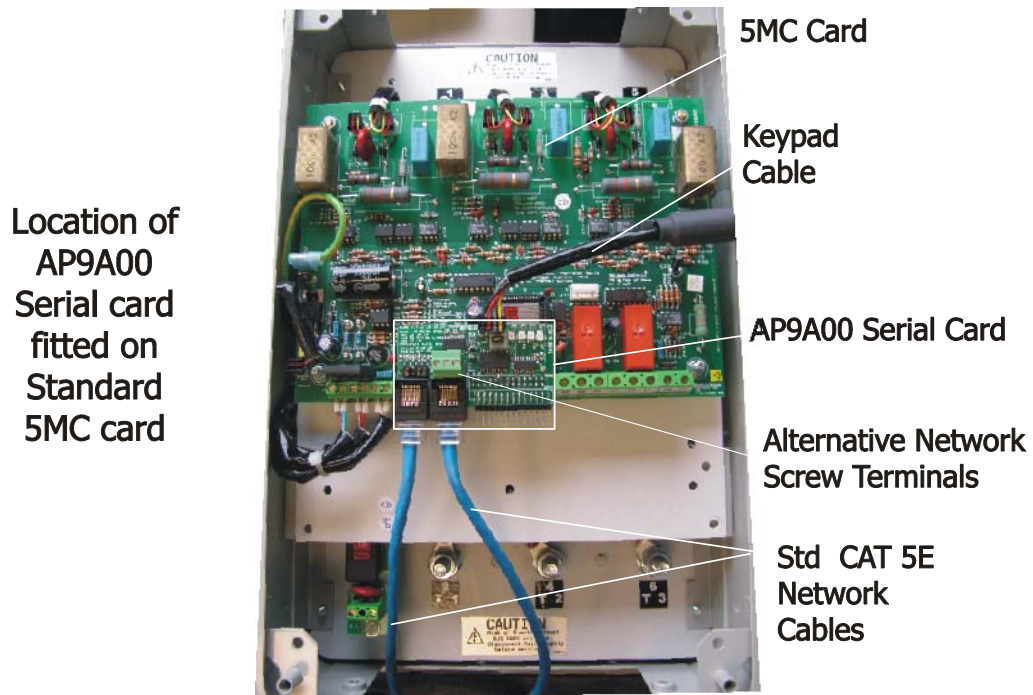


The ability to set up, control and monitor single or multiple QFE/XFE Soft starters has now been introduced.

With the addition of the AP9A00 serial card it now allows control to be switched between an integral Keypad or alternately through an external isolated Modbus network.

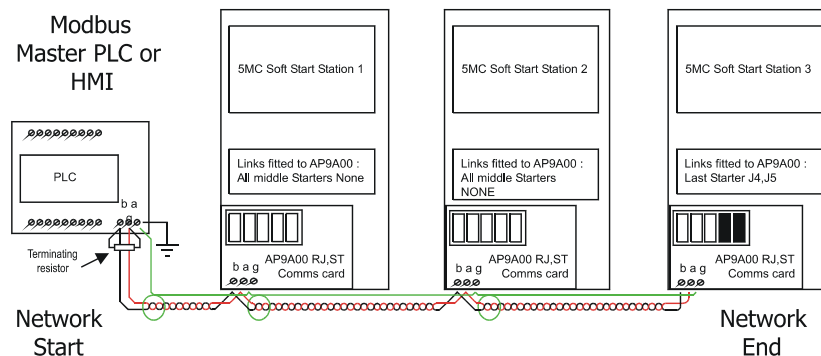
Modbus Communications for the QFE/XFE range of Soft Starters

- The AP9A00 is for use with version 5511 or above firmware.
- It provides an RS485 interface with 50V isolation for demanding industrial applications.
- The interface is suitable for connection to the Remote Keypad or a standard Modbus networks running at 9600 baud 8N1.



Communications Technical Specification

Network Application AP9A00 fitted with screw terminal and using twisted pair cabling



SD0008604